

M12 male 90° / M12 male 90° A-cod. shielded

TPE 4x2x24AWG SF/UTP CAT5e bu UL/CSA. CM 10m

Male 90° – male 90°

The resistance to aggressive media should be individually tested for your application. Further details on request.

Further cable lengths on request.

M12 – M12, 8-pole

shielded

USA

without cable sleeves

Ethernet CAT5

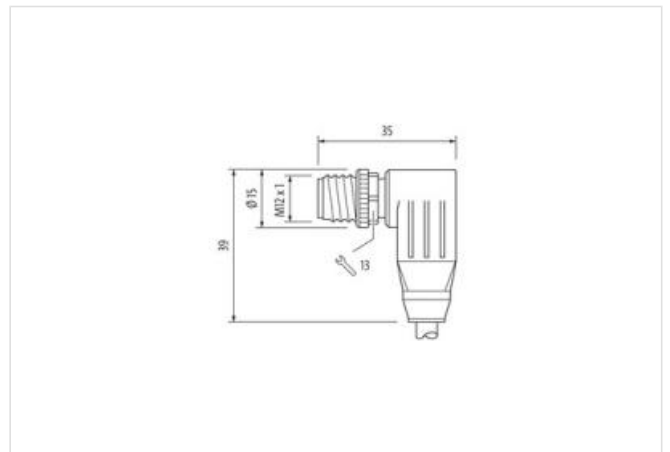
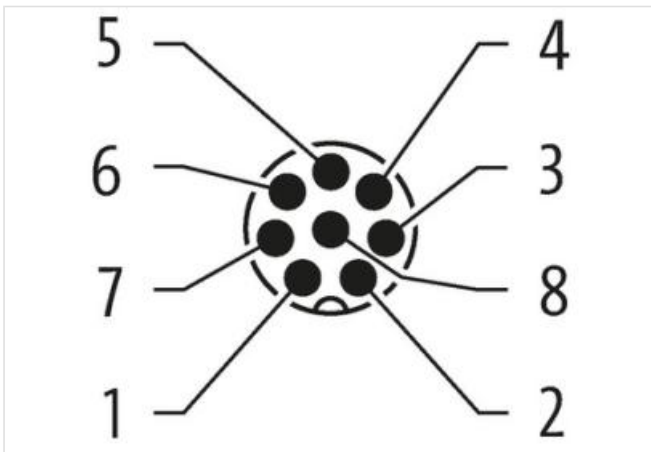
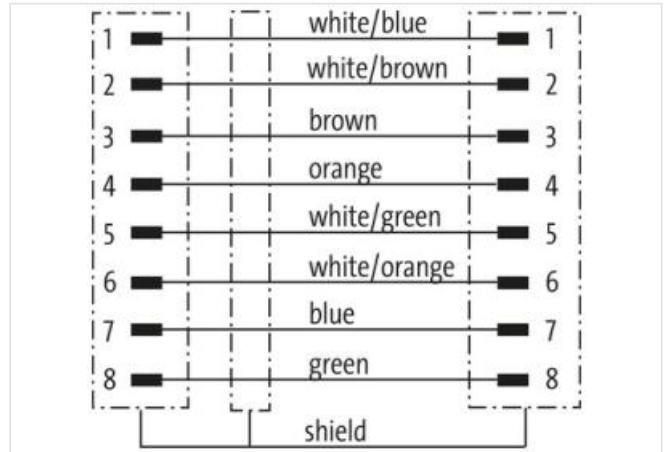
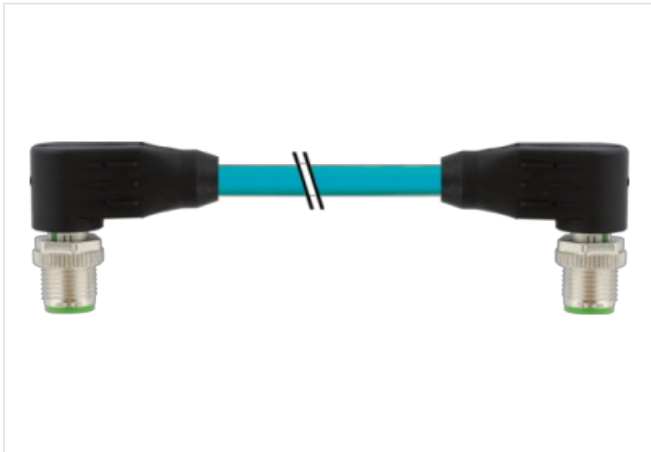
Ethernet CAT5e

Cable is approved for 600 V

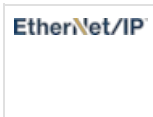
Plastic housings with good resistance against chemicals and oils.

Ürün Linki

örnekleme



Ürün Image farklı olabilir



Cable length 10 m

Side 1

Mounting method inserted, screwed
Family construction form M12
No. of poles 8

Side 2

Mounting method inserted, screwed
Family construction form M12
No. of poles 8

Ticari bilgiler

ECLASS-6.0 27061801
ECLASS-7.0 27061801
ECLASS-8.0 27061801
ECLASS-9.0 27061801
ECLASS-10.1 27060307
ECLASS-11.1 27060307
ECLASS-12.0 27060307
ETIM-5.0 EC002599
GTIN 4048879600194
Gümrük tarife no (gtip) 85444290
Paket miktarı 1

Electrical data | Supply

Operating voltage AC max. 60 V
Operating voltage DC max. 60 V

Industrial communication

Transfer parameters CAT5, Class D (ISO/IEC 11801:2002), (EN 50173-1)
Data transmission rate max. 1000 MBit/s

Device protection | Electrical

Pollution Degree 2
Rated surge voltage 0,8 kV
Material group (IEC 60664-1) I

Environmental characteristics | Climatic

Operating temperature min. -25 °C
Operating temperature max. 85 °C
Additional condition temperature range depending on cable quality

Important installation notes

Note on strain relief Protect the connectors by suitable measures from mechanical loads, e.g. by the usage of cable ties.
Note on bending radius **Attention:** Observe the permissible bending radii when laying cables, as the IP protection class can be endangered by excessive bending forces.

Installation | Cable

wire arrangement (orange-white, orange), (blue-white, blue), (brown-white, brown), (green-white, green)
Cable identification S4W
Jacket Color blue
Type of Certificate cURus
Amount stranding 4
Stranding 2 wires twisted
Stranding (type 2) 4 Stranded joints twisted
Banding Foil
wire arrangement (orange-white, orange), (blue-white, blue), (brown-white, brown), (green-white, green)
Cable weight 74,8 g/m
Material jacket TPE

Freedom from ingredients (jacket)	lead-free, CFC-free
Outer-diameter (jacket)	7,6 mm
Tolerance outer diameter (sheath)	± 5 %
Material wire insulation	HDPE
Amount wires	8
Outer diameter insulation	1,17 mm
Outer diameter tolerance core insulation	± 5 %
Ingredient freeness wire insulation	lead-free, CFC-free
Amount strands (wire)	7
Diameter of single wires	24 AWG
Conductor crosssection (wire)	24 AWG
Material conductor wire	copper stranded wire, tinned
Nominal voltage AC max.	300 V
Current load capacity (standard)	to DIN VDE 0298-4
Current load capacity min. wire	4 A
Electrical resistance line constant wire	59 Ω/km @ 20 °C
AC withstand voltage (wire - wire)	3 kV @ 60 s
Electrical capacity line constant (wire - wire)	49000 pF/km
Power frequency withstand voltage (wire - jacket)	3 kV @ 60 s
Min. operating temperature (static)	-40 °C
Max. operating temperature (fixed)	80 °C
Operating temperature min. (dynamic)	-5 °C
Operating temperature max. (dynamic)	70 °C
Flame resistance	UL 1581 § 1100 FT2 UL 1581 § 1090 IEC 60332-2-2
chemical resistance	Good, application-related testing
Gasoline resistance	Good, application-related testing
Oil resistance	DIN EN 60811-404 Good, application-related testing
Bending radius (fixed)	5 x Outer diameter
Bending radius (dynamic)	10 x Outer diameter
No. of bending cycles (C-track)	1 Mio. @ 25 °C
No. of torsion cycles	3 Mio. 25 °C
Torsion stress	± 270 °/m