

**M12 male 0° A-cod. / RJ45 male 0° shielded**

TPE 4x2x24AWG SF/UTP CAT5e bu UL/CSA. CM 5m

Ethernet CAT5

Further cable lengths on request.

Ethernet CAT5e

Male straight – male straight

M12 – RJ45, 8-pole

shielded

USA

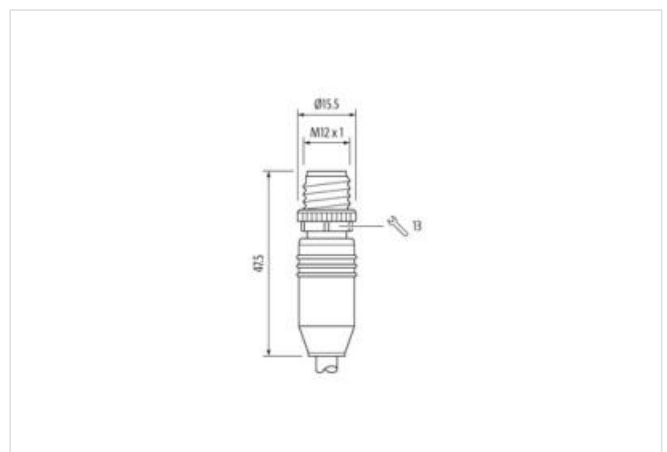
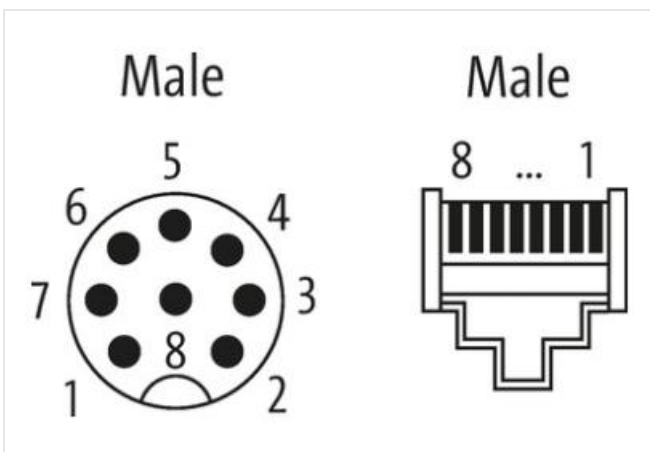
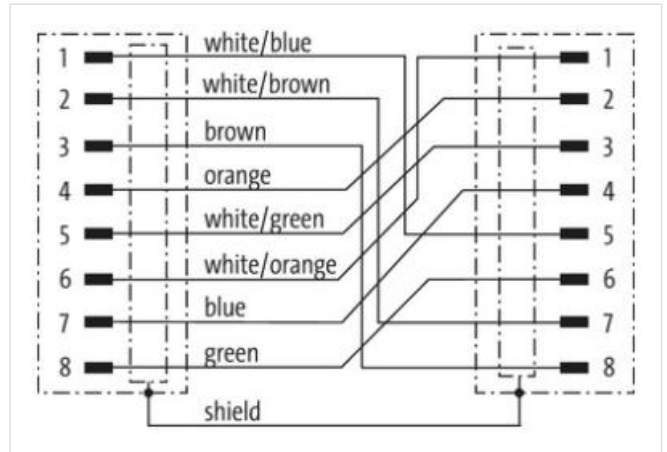
without cable sleeves

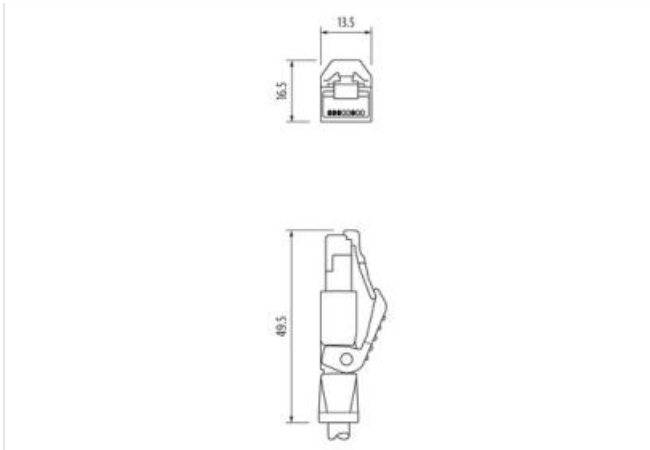
Plastic housings with good resistance against chemicals and oils.

The resistance to aggressive media should be individually tested for your application. Further details on request.

**제품 링크**

**일러스트**





실제 제품은 이미지와 다를 수 있습니다.



Cable length 5 m

#### Side 1

Mounting method inserted, screwing  
Family construction form M12  
No. of poles 8

#### Side 2

Mounting method inserted, screwing  
Family construction form RJ45  
No. of poles 8

#### 제품자료

|             |               |
|-------------|---------------|
| ECLASS-6.0  | 27061801      |
| ECLASS-7.0  | 27061801      |
| ECLASS-8.0  | 27061801      |
| ECLASS-9.0  | 27061801      |
| ECLASS-10.1 | 27060307      |
| ECLASS-11.1 | 27060307      |
| ECLASS-12.0 | 27060307      |
| ETIM-5.0    | EC002599      |
| GTIN        | 4048879662383 |
| 세번부호        | 85444290      |
| 포장단위        | 1             |

#### Electrical data | Supply

Operating voltage AC 60 V  
Operating voltage DC 60 V

#### Industrial communication

Transfer parameters CAT5, Class D (ISO/IEC 11801:2002), (EN 50173-1)  
Data transmission rate max. 100 MBit/s

#### Device protection | Electrical

Pollution Degree 2  
Rated surge voltage 0,8 kV  
Material group (IEC 60664-1) I

| Environmental characteristics   Climatic          |                                                                                                                                                       |
|---------------------------------------------------|-------------------------------------------------------------------------------------------------------------------------------------------------------|
| Operating temperature min.                        | -25 °C                                                                                                                                                |
| Operating temperature max.                        | 85 °C                                                                                                                                                 |
| Additional condition temperature range            | depending on cable quality                                                                                                                            |
| Important installation notes                      |                                                                                                                                                       |
| Note on strain relief                             | Protect the connectors by suitable measures from mechanical loads, e.g. by the usage of cable ties.                                                   |
| Note on bending radius                            | <b>Attention:</b> Observe the permissible bending radii when laying cables, as the IP protection class can be endangered by excessive bending forces. |
| Installation   Cable                              |                                                                                                                                                       |
| wire arrangement                                  | (orange-white, orange), (blue-white, blue), (brown-white, brown), (green-white, green)                                                                |
| Cable identification                              | S4W                                                                                                                                                   |
| Jacket Color                                      | blue                                                                                                                                                  |
| Type of Certificate                               | cURus                                                                                                                                                 |
| Amount stranding                                  | 4                                                                                                                                                     |
| Stranding                                         | 2 wires twisted                                                                                                                                       |
| Stranding (type 2)                                | 4 Stranded joints twisted                                                                                                                             |
| Banding                                           | Foil                                                                                                                                                  |
| wire arrangement                                  | (orange-white, orange), (blue-white, blue), (brown-white, brown), (green-white, green)                                                                |
| Cable weight                                      | 74,8 g/m                                                                                                                                              |
| Material jacket                                   | TPE                                                                                                                                                   |
| Freedom from ingredients (jacket)                 | lead-free, CFC-free                                                                                                                                   |
| Outer-diameter (jacket)                           | 7,6 mm                                                                                                                                                |
| Tolerance outer diameter (sheath)                 | ± 5 %                                                                                                                                                 |
| Material wire insulation                          | HDPE                                                                                                                                                  |
| Amount wires                                      | 8                                                                                                                                                     |
| Outer diameter insulation                         | 1,17 mm                                                                                                                                               |
| Outer diameter tolerance core insulation          | ± 5 %                                                                                                                                                 |
| Ingredient freeness wire insulation               | lead-free, CFC-free                                                                                                                                   |
| Amount strands (wire)                             | 7                                                                                                                                                     |
| Diameter of single wires                          | 24 AWG                                                                                                                                                |
| Conductor crosssection (wire)                     | 24 AWG                                                                                                                                                |
| Material conductor wire                           | copper stranded wire, tinned                                                                                                                          |
| Nominal voltage AC max.                           | 300 V                                                                                                                                                 |
| Current load capacity (standard)                  | to DIN VDE 0298-4                                                                                                                                     |
| Current load capacity min. wire                   | 4 A                                                                                                                                                   |
| Electrical resistance line constant wire          | 59 Ω/km @ 20 °C                                                                                                                                       |
| AC withstand voltage (wire - wire)                | 3 kV @ 60 s                                                                                                                                           |
| Electrical capacity line constant (wire - wire)   | 49000 pF/km                                                                                                                                           |
| Power frequency withstand voltage (wire - jacket) | 3 kV @ 60 s                                                                                                                                           |
| Min. operating temperature (static)               | -40 °C                                                                                                                                                |
| Max. operating temperature (fixed)                | 80 °C                                                                                                                                                 |
| Operating temperature min. (dynamic)              | -5 °C                                                                                                                                                 |
| Operating temperature max. (dynamic)              | 70 °C                                                                                                                                                 |
| Flame resistance                                  | UL 1581 § 1100 FT2   UL 1581 § 1090   IEC 60332-2-2                                                                                                   |
| chemical resistance                               | Good, application-related testing                                                                                                                     |
| Gasoline resistance                               | Good, application-related testing                                                                                                                     |
| Oil resistance                                    | DIN EN 60811-404   Good, application-related testing                                                                                                  |
| Bending radius (fixed)                            | 5 x Outer diameter                                                                                                                                    |
| Bending radius (dynamic)                          | 10 x Outer diameter                                                                                                                                   |
| No. of bending cycles (C-track)                   | 1 Mio. @ 25 °C                                                                                                                                        |
| No. of torsion cycles                             | 3 Mio. 25 °C                                                                                                                                          |
| Torsion stress                                    | ± 270 °/m                                                                                                                                             |