

**M12 male 0° D-cod. / RJ45 male 0° shielded**

TPE 22AWG SF/UTP CAT5e gn UL/CSA. ITC/PLTC 60m

Ethernet CAT5

Plastic housings with good resistance against chemicals and oils.

Male straight – male straight

Transmission properties with channel transmission up to 100 m

M12 – RJ45, 4-pole

D-coded

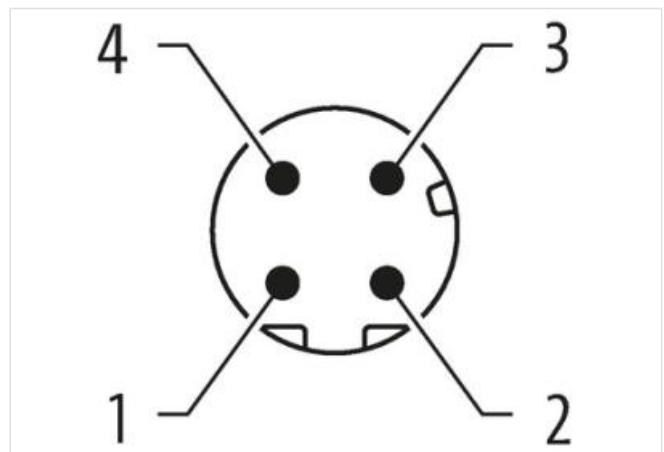
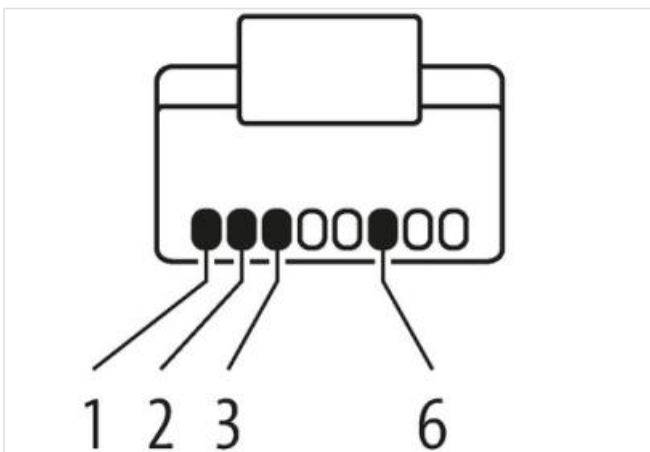
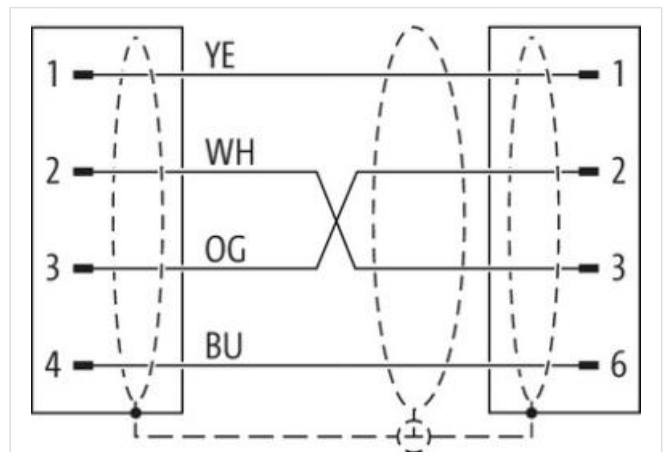
shielded

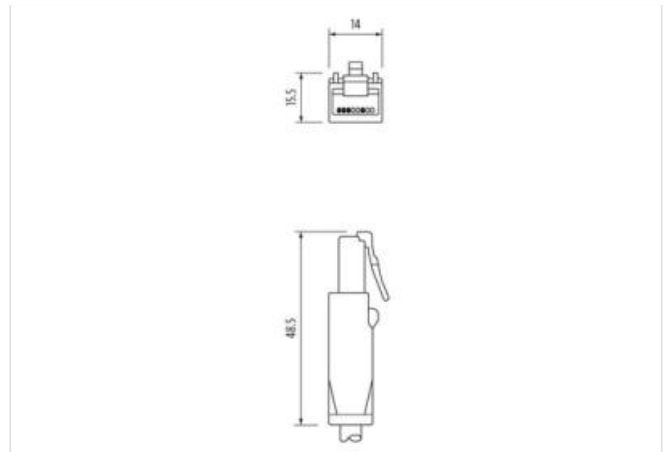
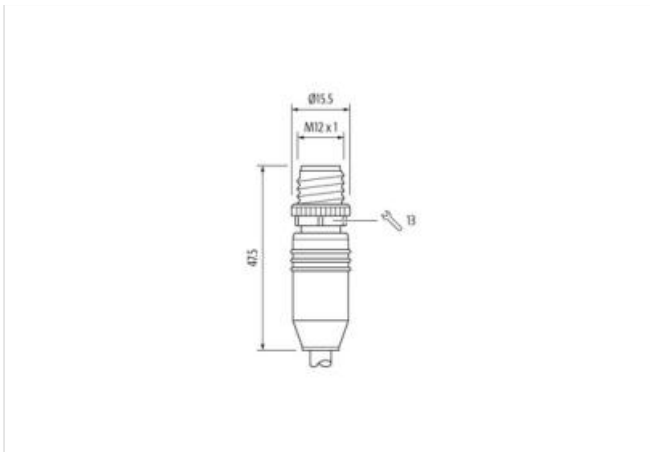
USA

without cable sleeves

Protection cap

Further cable lengths on request.

[Link to Product](#)**Illustration**



Product may differ from Image



Cable length 60 m

**Side 1**

Mounting method	inserted, screwed
Family construction form	M12
Thread	M12 x 1
Cable outlet	straight
Coding	D
No. of poles	4
Width across flats	SW13
Degree of protection (EN IEC 60529)	IP67

**Side 2**

Mounting method	pluggable
Family construction form	RJ45
Cable outlet	straight
No. of poles	4
Degree of protection (EN IEC 60529)	IP20

**取引条件**

ECLASS-6.0	27061801
ECLASS-6.1	27060307
ECLASS-7.0	27060307
ECLASS-8.0	27060307
ECLASS-9.0	27060307
ECLASS-10.1	27060307
ECLASS-11.1	27060307
ECLASS-12.0	27060307
ETIM-5.0	EC002599
GTIN	4048879694438
HSコード	85444290
Packaging unit	1

**Electrical data | Supply**

Operating voltage DC max.	60 V
Operating voltage DC (UL-listed)	30 V

このデータシートに含まれる情報は最大限の注意を払って作成されました。

Liability for the correctness completeness and topicality of the information is restricted to gross negligence. Version: 2024-06-21

Murrelektronik GmbH | Falkenstraße 3 | 71570 Oppenweiler | Fon +49 (71 91) 47-0 | Fax +49 (71 91) 47-491000 | shop@murrelektronik.com | shop.murrelektronik.com

Current operating per contact max. 1,5 A

#### Industrial communication

Transfer parameters CAT5, Class D (ISO/IEC 11801:2002), (EN 50173-1)  
Data transmission rate max. 100 MBit/s

#### Industrial communication | Ethernet functionality

duplex Full duplex

#### Device protection | Electrical

Pollution Degree 3  
Rated surge voltage 1 kV  
Material group (IEC 60664-1) I

#### Environmental characteristics | Climatic

Operating temperature min. -25 °C  
Operating temperature max. 85 °C  
Additional condition temperature range depending on cable quality

#### Important installation notes

Note on strain relief Protect the connectors by suitable measures from mechanical loads, e.g. by the usage of cable ties.  
Note on bending radius **Attention:** Observe the permissible bending radii when laying cables, as the IP protection class can be endangered by excessive bending forces.

#### Conformity

Product standard DIN EN 61076-2-101 (M12)

#### Installation | Cable

wire arrangement (white, blue), (orange, yellow)  
Cable identification S7V  
Jacket Color green  
Type of Certificate cURus  
Amount stranding 2  
Stranding 2 wires twisted  
Amount stranding (type 2) 1  
Stranding (type 2) 2 Stranded joints twisted  
Cable shielding (type) copper braid, tinned  
Cable shielding (coverage) 75 %  
Banding Foil  
wire arrangement (white, blue), (orange, yellow)  
Cable weighth 74,8 g/m  
Material jacket TPE  
Freedom from ingredients (jacket) lead-free, CFC-free  
Outer-diameter (jacket) 7,87 mm  
Tolerance outer diameter (sheath) ± 5 %  
Material wire insulation HDPE  
Amount wires 4  
Outer diameter insulation 1,47 mm  
Outer diameter tolerance core insulation ± 5 %  
Ingredient freeness wire insulation lead-free, CFC-free  
Amount strands (wire) 19  
Diameter of single wires 22 AWG  
Conductor crosssection (wire) 22 AWG  
Material conductor wire copper stranded wire, tinned  
Nominal voltage AC max. 600 V  
Current load capacity (standard) to DIN VDE 0298-4  
Current load capacity min. wire 4,8 A  
Electrical resistance line constant wire 45,1 Ω/km  
Min. operating temperature (static) -40 °C

Max. operating temperature (fixed)	80 °C
Operating temperature min. (dynamic)	-40 °C
Operating temperature max. (dynamic)	80 °C
Storage temperature min.	-40 °C
Storage temperature max.	80 °C
Flame resistance	IEC 60332-2-2   UL 1581 § 1100 FT2   UL 1581 § 1090
chemical resistance	Good, application-related testing
Gasoline resistance	Good, application-related testing
Oil resistance	Good, application-related testing   DIN EN 60811-404
Bending radius (dynamic)	2 x Outer diameter
No. of bending cycles (C-track)	35 Mio.
No. of torsion cycles	5 Mio.
Torsion stress	± 180 °/m