

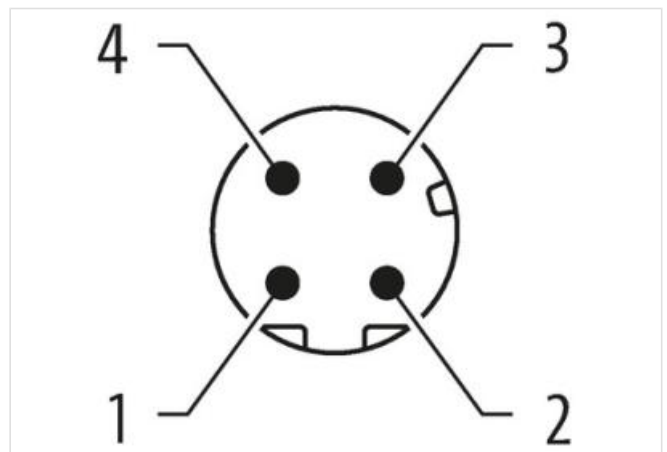
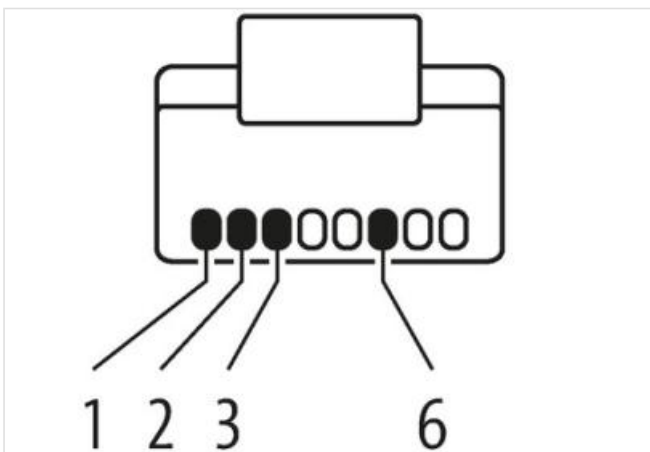
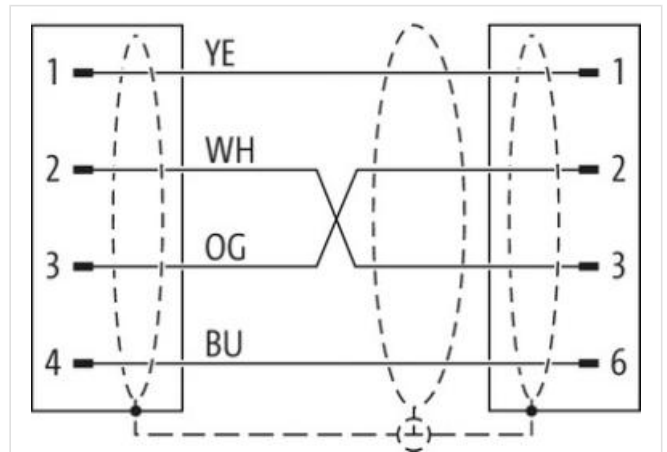
**M12 male 0° D-cod. / RJ45 male 0° shielded**

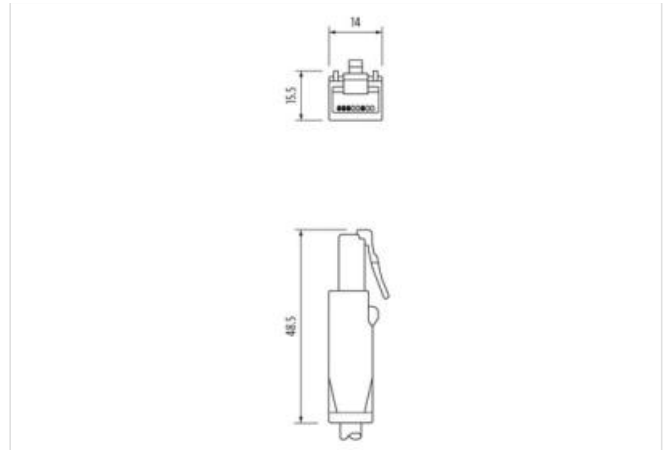
TPE 22AWG SF/UTP CAT5e gn UL/CSA. ITC/PLTC 60m

Ethernet CAT5  
 Plastic housings with good resistance against chemicals and oils.  
 Male straight – male straight  
 Transmission properties with channel transmission up to 100 m  
 M12 – RJ45, 4-pole  
 D-coded  
 shielded  
 USA  
 without cable sleeves  
 Protection cap  
 Further cable lengths on request.

**제품 링크**

**일러스트**





실제 제품은 이미지와 다를 수 있습니다.



Cable length 60 m

**Side 1**

Mounting method	inserted, screwed
Family construction form	M12
Thread	M12 x 1
Cable outlet	straight
Coding	D
No. of poles	4
Width across flats	SW13
Degree of protection (EN IEC 60529)	IP67

**Side 2**

Mounting method	pluggable
Family construction form	RJ45
Cable outlet	straight
No. of poles	4
Degree of protection (EN IEC 60529)	IP20

**제품자료**

ECLASS-6.0	27061801
ECLASS-6.1	27060307
ECLASS-7.0	27060307
ECLASS-8.0	27060307
ECLASS-9.0	27060307
ECLASS-10.1	27060307
ECLASS-11.1	27060307
ECLASS-12.0	27060307
ETIM-5.0	EC002599
GTIN	4048879694438
세번부호	85444290
포장단위	1

**Electrical data | Supply**

Operating voltage DC max.	60 V
Operating voltage DC (UL-listed)	30 V

Current operating per contact max. 1,5 A

**Industrial communication**

Transfer parameters CAT5, Class D (ISO/IEC 11801:2002), (EN 50173-1)  
 Data transmission rate max. 100 MBit/s

**Industrial communication | Ethernet functionality**

duplex Full duplex

**Device protection | Electrical**

Pollution Degree 3  
 Rated surge voltage 1 kV  
 Material group (IEC 60664-1) I

**Environmental characteristics | Climatic**

Operating temperature min. -25 °C  
 Operating temperature max. 85 °C  
 Additional condition temperature range depending on cable quality

**Important installation notes**

Note on strain relief Protect the connectors by suitable measures from mechanical loads, e.g. by the usage of cable ties.  
 Note on bending radius **Attention:** Observe the permissible bending radii when laying cables, as the IP protection class can be endangered by excessive bending forces.

**Conformity**

Product standard DIN EN 61076-2-101 (M12)

**Installation | Cable**

wire arrangement (white, blue), (orange, yellow)  
 Cable identification S7V  
 Jacket Color green  
 Type of Certificate cURus  
 Amount stranding 2  
 Stranding 2 wires twisted  
 Amount stranding (type 2) 1  
 Stranding (type 2) 2 Stranded joints twisted  
 Cable shielding (type) copper braid, tinned  
 Cable shielding (coverage) 75 %  
 Banding Foil  
 wire arrangement (white, blue), (orange, yellow)  
 Cable weighth 74,8 g/m  
 Material jacket TPE  
 Freedom from ingredients (jacket) lead-free, CFC-free, halogen-free  
 Outer-diameter (jacket) 7,87 mm  
 Tolerance outer diameter (sheath) ± 5 %  
 Material wire insulation HDPE  
 Amount wires 4  
 Outer diameter insulation 1,47 mm  
 Outer diameter tolerance core insulation ± 5 %  
 Ingredient freeness wire insulation lead-free, CFC-free, halogen-free  
 Amount strands (wire) 19  
 Diameter of single wires 22 AWG  
 Conductor crosssection (wire) 22 AWG  
 Material conductor wire copper stranded wire, tinned  
 Nominal voltage AC max. 600 V  
 Min. operating temperature (static) -40 °C  
 Max. operating temperature (fixed) 80 °C  
 UV resistance DIN EN ISO 4892-2 A  
 Flame resistance IEC 60332-2-2 | UL 1581 § 1100 FT2 | UL 1581 § 1090

chemical resistance	Good, application-related testing
Gasoline resistance	Good, application-related testing
Oil resistance	Good, application-related testing   DIN EN 60811-404
Bending radius (fixed)	8 x Outer diameter
No. of bending cycles (C-track)	35 Mio. @ 25 °C
No. of torsion cycles	5 Mio. 25 °C
Torsion stress	± 180 °/m