

**M12 female 90° field-wireable**4-pole max. 0.75mm<sup>2</sup> 4-6mm

Customized printing and packaging

Female 90°

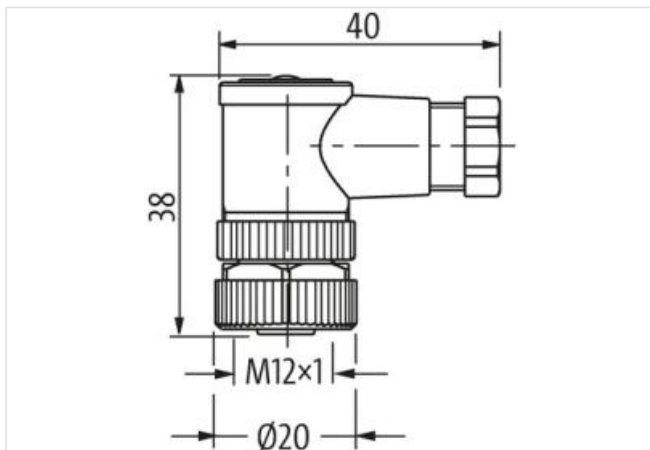
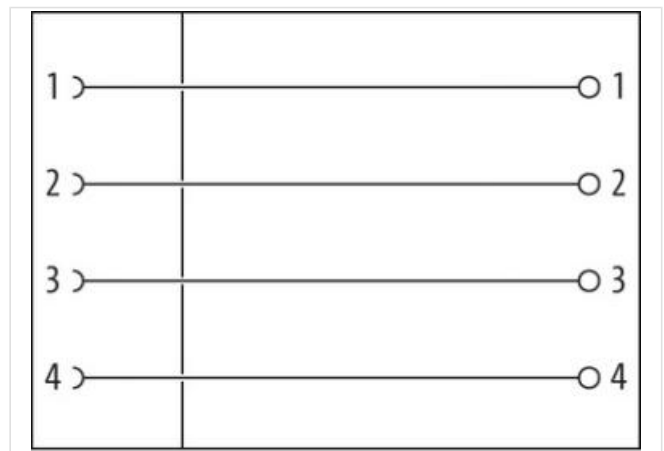
M12, 4-pole

Screw terminals

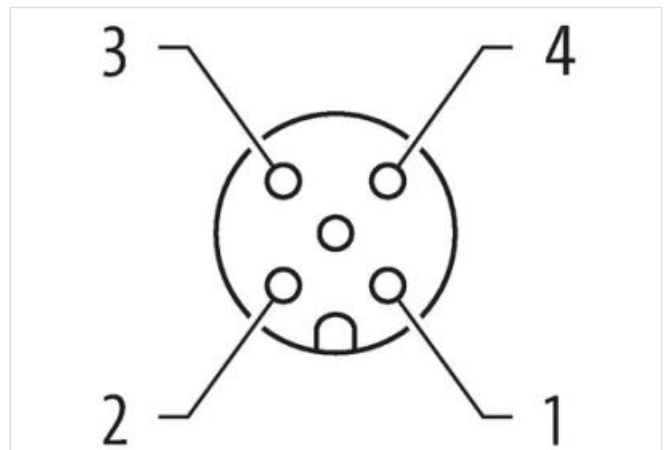
Sealing range (cable Ø): 4...6 mm

Plastic housings with good resistance against chemicals and oils.

The resistance to aggressive media should be individually tested for your application. Further details on request.

**[Link to Product](#)****Illustration**

Product may differ from Image

**Side 1**

Family construction form	M12
Coding	A
Material contact	Copper alloy

No. of poles	4
Degree of protection (EN IEC 60529)	IP67
<b>Commercial data</b>	
ECLASS-6.0	27279221
ECLASS-7.0	27440104
ECLASS-8.0	27440104
ECLASS-9.0	27440102
ECLASS-10.1	27440102
ECLASS-11.1	27440102
ECLASS-12.0	27440116
ETIM-5.0	EC001855
customs tariff number	85366990
GTIN	4048879848633
Packaging unit	10
<b>Electrical data   Supply</b>	
Operating voltage AC max.	250 V
Operating voltage DC max.	250 V
Current operating per contact max.	4 A
Current operating per contact max. (URc.)	3 A
<b>Diagnostics</b>	
Status indication LED	no
<b>Installation</b>	
Connection cross section max.	0,75 mm <sup>2</sup>
<b>Installation   Connection</b>	
Tightening torque	0,6 Nm
Mounting set	M12 x 1
Width across flats	SW18
<b>Device protection   Electrical</b>	
Additional condition protection degree	screwed, mounted
Pollution Degree	3
Rated surge voltage	2,5 kV
Material group (IEC 60664-1)	III
<b>Mechanical data   Material data</b>	
Coating contact	Copper alloy
Coating of fitting	nickel plated
Material gasket	FKM
Material housing	PA
Material screw connection	Zinc die-casting
<b>Mechanical data   Mounting data</b>	
Mounting method	inserted, screwed, Shaking protection
Clamping range min.	4 mm
Clamping range max.	6 mm
<b>Environmental characteristics   Climatic</b>	
Operating temperature min.	-40 °C
Operating temperature max.	85 °C
<b>Conformity</b>	
Product standard	DIN EN 61076-2-101 (M12)