

## B24 Hood, IP68

Screw locking, side entry M50

B24

Hood

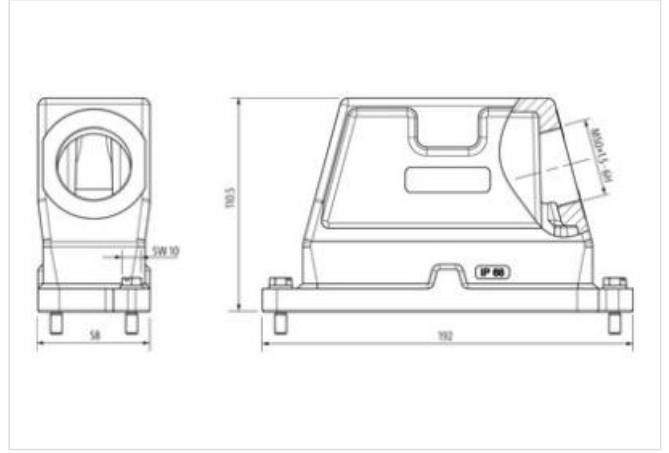
Protection IP68

Screw locking

Technical data will be only guaranteed with Murrelektronik components.

## Ürün Linki

### örnekleme



Ürün Image farklı olabilir

### Ticari bilgiler

ECLASS-6.0	27143424
ECLASS-6.1	27261203
ECLASS-7.0	27440209
ECLASS-8.0	27440209
ECLASS-9.0	27440209
ECLASS-10.1	27440202
ECLASS-11.1	27440202
ECLASS-12.0	27440202
ETIM-5.0	EC000437
GTIN	4065909051306
Gümrük tarife no (gtip)	85389099
Paket miktarı	1

### Installation

Cable outlet laterally

### Installation | Connection

Mounting set M50  
Mating cycles min. 500

### Device protection | Electrical

Degree of protection (EN IEC 60529) IP68  
Additional condition protection degree inserted, locked, with screw connection

### Mechanical data

Housing type Hood

### Mechanical data | Material data

Coating housing	powder-coated
-----------------	---------------

Material gasket	Silicon
-----------------	---------

Material housing	Aluminum die casting
------------------	----------------------

Locking material	Stainless steel
------------------	-----------------

**Mechanical data | Mounting data**

Size	B24
------	-----

Mounting method	Screw locking
-----------------	---------------

Height	110,5 mm
--------	----------

Width	58 mm
-------	-------

Depth	192 mm
-------	--------

**Environmental characteristics | Climatic**

Operating temperature min.	-40 °C
----------------------------	--------

Operating temperature max.	125 °C
----------------------------	--------

Climatic category (EN IEC 60068-1)	40/125/21
------------------------------------	-----------