

B24 Hood, high profile, IP67

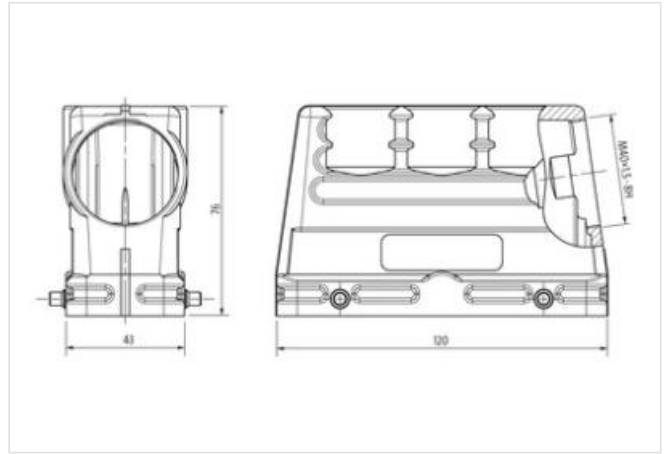
Double locking lever, side entry M40

B24
Hood (high)
Double locking lever
IP67

Technical data will be only guaranteed with Murrelektronik components.

제품 링크

일러스트



실제 제품은 이미지와 다를 수 있습니다.

제품자료

ECLASS-6.0	27143424
ECLASS-6.1	27261203
ECLASS-7.0	27440202
ECLASS-8.0	27440202
ECLASS-9.0	27440202
ECLASS-10.1	27440202
ECLASS-11.1	27440202
ECLASS-12.0	27440202
ETIM-5.0	EC000437
GTIN	4048879653909
세번부호	85389099
포장단위	1

Installation

Cable outlet	laterally
--------------	-----------

Installation | Connection

Mounting set	M40
Mating cycles min.	500

Device protection | Electrical

Degree of protection (EN IEC 60529)	IP67
Additional condition protection degree	inserted, locked, with screw connection

Mechanical data

Housing type	Hood
--------------	------

Mechanical data | Material data

Coating housing	powder-coated
Coating locking	verzinkt
Material housing	Aluminum die casting
Locking material	Steel

Mechanical data | Mounting data

Size	B24
Height	76 mm
Width	43 mm
Depth	120 mm
Locking techniques	Double locking lever

Environmental characteristics | Climatic

Operating temperature min.	-40 °C
Operating temperature max.	100 °C
Climatic category (EN IEC 60068-1)	40/100/21