

B16 Hood, high profile, IP65

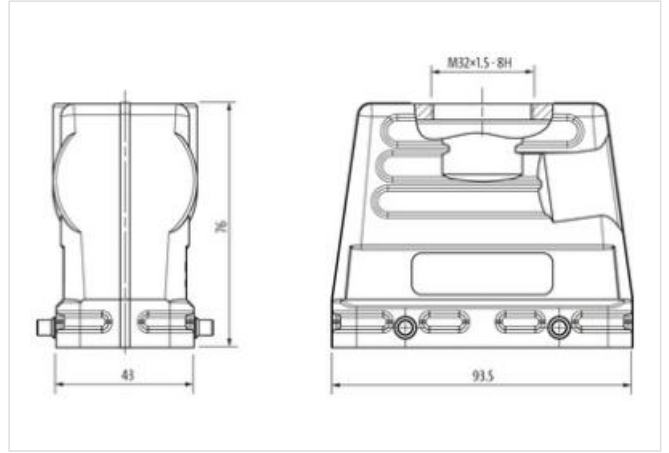
Double locking lever, top entry M32

B16
Hood (high)
Double locking lever
Cable outlet straight
IP65

Technical data will be only guaranteed with Murrelektronik components.

Ürün Linki

örnekleme



Ürün Image farklı olabilir

Ticari bilgiler

| | |
|-------------------------|---------------|
| ECLASS-6.0 | 27143424 |
| ECLASS-6.1 | 27261203 |
| ECLASS-7.0 | 27440202 |
| ECLASS-8.0 | 27440202 |
| ECLASS-9.0 | 27440202 |
| ECLASS-10.1 | 27440202 |
| ECLASS-11.1 | 27440202 |
| ECLASS-12.0 | 27440202 |
| ETIM-5.0 | EC000437 |
| GTIN | 4048879646604 |
| Gümrük tarife no (gtip) | 85389099 |
| Paket miktarı | 1 |

Installation

Cable outlet straight

Installation | Connection

Mounting set M32
Mating cycles min. 500

Device protection | Electrical

Degree of protection (EN IEC 60529) IP65
Additional condition protection degree inserted, locked, with screw connection

Mechanical data

Housing type Hood

Mechanical data | Material data

| | |
|------------------|----------------------|
| Coating housing | powder-coated |
| Coating locking | verzinkt |
| Material housing | Aluminum die casting |
| Locking material | Steel |

Mechanical data | Mounting data

| | |
|--------------------|----------------------|
| Size | B16 |
| Height | 76 mm |
| Width | 43 mm |
| Depth | 93,5 mm |
| Locking techniques | Double locking lever |

Environmental characteristics | Climatic

| | |
|------------------------------------|-----------|
| Operating temperature min. | -40 °C |
| Operating temperature max. | 100 °C |
| Climatic category (EN IEC 60068-1) | 40/100/21 |