

## B16 Hood, high profile, IP65

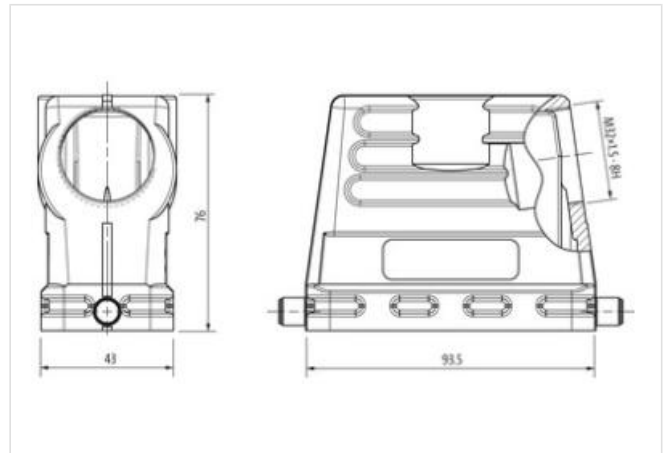
Single locking lever, side entry M32

B16  
Hood (high)  
Single locking lever  
IP65

Technical data will be only guaranteed with Murrelektronik components.

### Link to Product

#### Illustration



Product may differ from Image

#### 取引条件

ECLASS-6.0	27143424
ECLASS-6.1	27261203
ECLASS-7.0	27440202
ECLASS-8.0	27440202
ECLASS-9.0	27440202
ECLASS-10.1	27440202
ECLASS-11.1	27440202
ECLASS-12.0	27440202
ETIM-5.0	EC000437
GTIN	4048879646758
HSコード	85389099
Packaging unit	1

#### Installation

Cable outlet laterally

#### Installation | Connection

Mounting set M32  
Mating cycles min. 500

#### Device protection | Electrical

Degree of protection (EN IEC 60529) IP65  
Additional condition protection degree inserted, locked, with screw connection

#### Mechanical data

Housing type Hood

#### Mechanical data | Material data

Coating housing	powder-coated
Coating locking	verzinkt
Material housing	Aluminum die casting
Locking material	Steel

**Mechanical data | Mounting data**

Size	B16
Height	76 mm
Width	43 mm
Depth	93,5 mm
Locking techniques	Single locking lever

**Environmental characteristics | Climatic**

Operating temperature min.	-40 °C
Operating temperature max.	100 °C
Climatic category (EN IEC 60068-1)	40/100/21