

**B6 Hood, IP68**

Screw locking, top entry M32

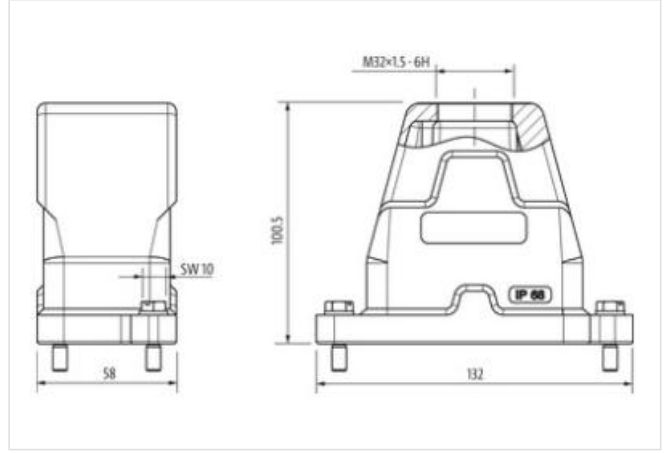
B6

Hood

Screw locking

IP68

Technical data will be only guaranteed with Murrelektronik components.

**Ürün Linki****örnekleme**

Ürün Image farklı olabilir

**Ticari bilgiler**

ECLASS-6.0	27143424
ECLASS-6.1	27261203
ECLASS-7.0	27440202
ECLASS-8.0	27440202
ECLASS-9.0	27440202
ECLASS-10.1	27440202
ECLASS-11.1	27440202
ECLASS-12.0	27440202
ETIM-5.0	EC000437
GTIN	4048879647342
Gümrük tarife no (gtip)	85389099
Paket miktarı	1

**Installation**

Cable outlet straight

**Installation | Connection**

Tightening torque	4 Nm
Mounting set	M32
Mating cycles min.	500

**Device protection | Electrical**

Degree of protection (EN IEC 60529)	IP68
Additional condition protection degree	inserted, locked, with screw connection

**Mechanical data**

Housing type Hood

**Mechanical data | Material data**

Coating housing	powder-coated
Material gasket	Silicon
Material housing	Aluminum die casting
Locking material	Stainless steel

**Mechanical data | Mounting data**

Size	B6
Mounting method	Screw locking
Height	100,5 mm
Width	58 mm
Depth	132 mm

**Environmental characteristics | Climatic**

Operating temperature min.	-40 °C
Operating temperature max.	125 °C
Climatic category (EN IEC 60068-1)	40/125/21