

## A10 Hood, low profile, IP65

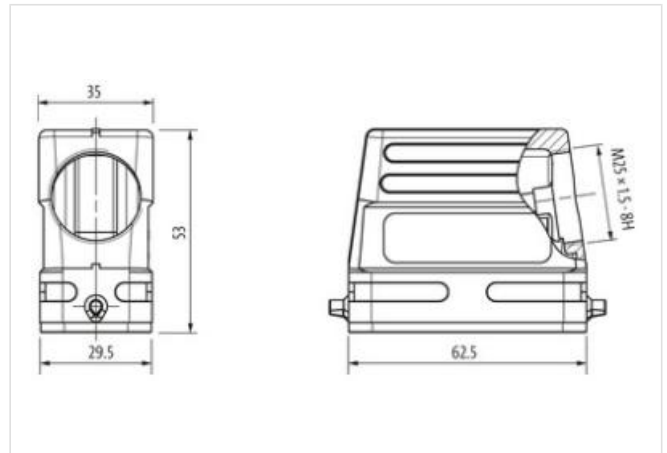
Single locking lever, side entry M25

A10  
Hood (low)  
Single locking lever  
IP65

Technical data will be only guaranteed with Murrelektronik components.

### 제품 링크

#### 일러스트



실제 제품은 이미지와 다를 수 있습니다.

#### 제품자료

ECLASS-6.0	27143424
ECLASS-6.1	27261203
ECLASS-7.0	27440202
ECLASS-8.0	27440202
ECLASS-9.0	27440202
ECLASS-10.1	27440202
ECLASS-11.1	27440202
ECLASS-12.0	27440202
ETIM-5.0	EC000437
GTIN	4048879643559
세번부호	85389099
포장단위	1

#### Installation

Cable outlet	laterally
--------------	-----------

#### Installation | Connection

Mounting set	M25
Mating cycles min.	500

#### Device protection | Electrical

Degree of protection (EN IEC 60529)	IP65
Additional condition protection degree	inserted, locked, with screw connection

#### Mechanical data

Housing type	Hood
--------------	------

#### Mechanical data | Material data

Coating housing	powder-coated
-----------------	---------------

Coating locking	verzinkt
-----------------	----------

Material gasket	CR
-----------------	----

Material housing	Aluminum die casting
------------------	----------------------

Locking material	Steel
------------------	-------

**Mechanical data | Mounting data**

Size	A10
------	-----

Height	53 mm
--------	-------

Width	30 mm
-------	-------

Depth	62,5 mm
-------	---------

Locking techniques	Single locking lever
--------------------	----------------------

**Environmental characteristics | Climatic**

Operating temperature min.	-40 °C
----------------------------	--------

Operating temperature max.	100 °C
----------------------------	--------

Climatic category (EN IEC 60068-1)	40/100/21
------------------------------------	-----------