

A10 Hood, low profile, IP65

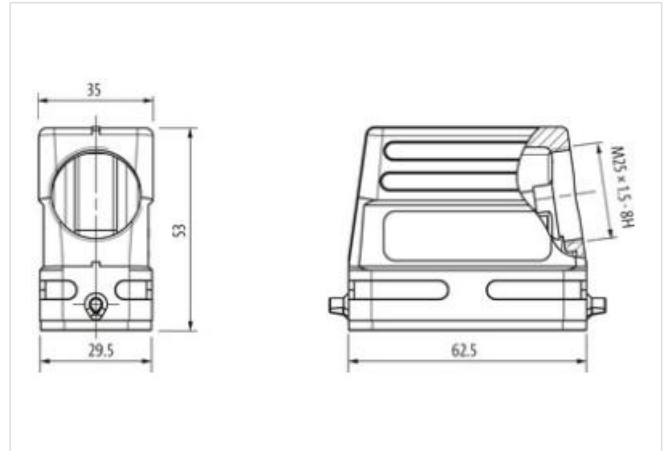
Single locking lever, side entry M25

A10
Hood (low)
Single locking lever
IP65

Technical data will be only guaranteed with Murrelektronik components.

Link do produto

Ilustração



Produto pode diferir da imagem

Dados comerciais

ECLASS-6.0	27143424
ECLASS-6.1	27261203
ECLASS-7.0	27440202
ECLASS-8.0	27440202
ECLASS-9.0	27440202
ECLASS-10.1	27440202
ECLASS-11.1	27440202
ECLASS-12.0	27440202
ETIM-5.0	EC000437
Classificação fiscal	85389099
GTIN	4048879643559
Quantidade por embalagem	1

Installation

Cable outlet laterally

Installation | Connection

Mounting set	M25
Mating cycles min.	500

Device protection | Electrical

Degree of protection (EN IEC 60529)	IP65
Additional condition protection degree	inserted, locked, with screw connection

Mechanical data

Housing type	Hood
--------------	------

Mechanical data | Material data

Coating housing	powder-coated
-----------------	---------------

Coating locking	verzinkt
-----------------	----------

Material gasket	CR
-----------------	----

Material housing	Aluminum die casting
------------------	----------------------

Locking material	Steel
------------------	-------

Mechanical data | Mounting data

Size	A10
------	-----

Height	53 mm
--------	-------

Width	30 mm
-------	-------

Depth	62,5 mm
-------	---------

Locking techniques	Single locking lever
--------------------	----------------------

Environmental characteristics | Climatic

Operating temperature min.	-40 °C
----------------------------	--------

Operating temperature max.	100 °C
----------------------------	--------

Climatic category (EN IEC 60068-1)	40/100/21
------------------------------------	-----------