

B6 Surface mounted h., high profile, IP65

Single locking lever m., side entry M32, p-cover

B6

Surface mounted housing (high)

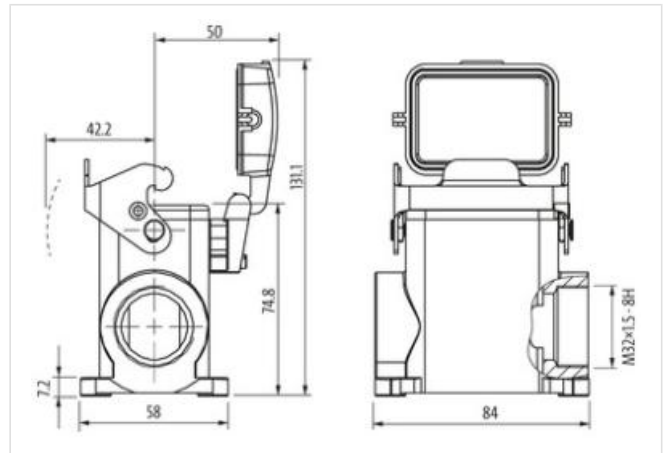
Single locking lever

IP65

Technical data will be only guaranteed with Murrelektronik components.

[Link to Product](#)

Illustration



Product may differ from Image

Commercial data

ECLASS-6.0	27279221
ECLASS-6.1	27261203
ECLASS-7.0	27440202
ECLASS-8.0	27440202
ECLASS-9.0	27440202
ECLASS-10.1	27440202
ECLASS-11.1	27440202
ECLASS-12.0	27440202
ETIM-5.0	EC000437
customs tariff number	85389099
GTIN	4048879696302
Packaging unit	1

Installation

Cable outlet laterally

Installation | Connection

Mounting set	M32
Mating cycles min.	500

Device protection | Electrical

Degree of protection (EN IEC 60529)	IP65
Additional condition protection degree	inserted, locked, with screw connection

Mechanical data

Housing type Surface mounted housing

Mechanical data | Material data

The information in this Product-PDF has been compiled with the utmost care.

Liability for the correctness completeness and topicality of the information is restricted to gross negligence. Version: 2024-06-23

Murrelektronik GmbH | Falkenstr. 3 | 71570 Oppenweiler | Fon +49 (71 91) 47-0 | Fax +49 (71 91) 47-491000 | shop@murrelektronik.com | shop.murrelektronik.com

Coating housing	powder-coated
Coating locking	verzinkt
Material gasket	NBR
Material housing	Aluminum die casting
Material protective cover	Plastic
Locking material	Steel

Mechanical data | Mounting data

Size	B6
Locking techniques	Single locking lever

Environmental characteristics | Climatic

Operating temperature min.	-40 °C
Operating temperature max.	100 °C
Climatic category (EN IEC 60068-1)	40/100/21