

**B6 Surface mounted h., high profile, IP65**

Single locking lever m., side entry M25, p-cover

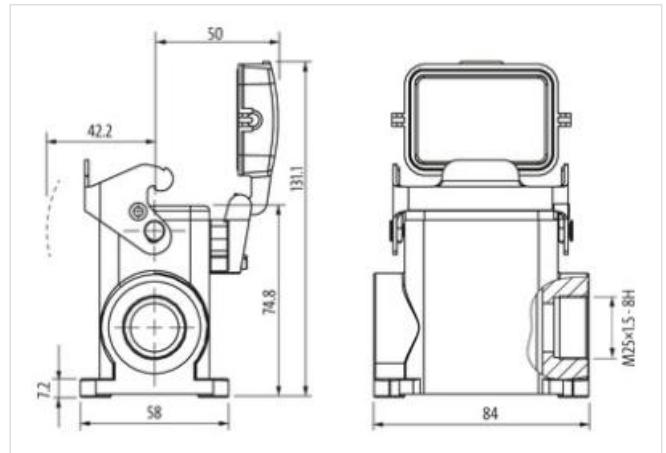
B6

Surface mounted housing (high)

Single locking lever

IP65

Technical data will be only guaranteed with Murrelektronik components.

**Link do produto****Ilustração**

Produto pode diferir da imagem

**Dados comerciais**

|                          |               |
|--------------------------|---------------|
| ECLASS-6.0               | 27279221      |
| ECLASS-6.1               | 27261203      |
| ECLASS-7.0               | 27440202      |
| ECLASS-8.0               | 27440202      |
| ECLASS-9.0               | 27440202      |
| ECLASS-10.1              | 27440202      |
| ECLASS-11.1              | 27440202      |
| ECLASS-12.0              | 27440202      |
| ETIM-5.0                 | EC000437      |
| Classificação fiscal     | 85389099      |
| GTIN                     | 4048879696296 |
| Quantidade por embalagem | 1             |

**Installation**

Cable outlet laterally

**Installation | Connection**

|                    |     |
|--------------------|-----|
| Mounting set       | M25 |
| Mating cycles min. | 500 |

**Device protection | Electrical**

|  |   |
|--|---|
| Degree of protection (EN IEC 60529)    | IP65                                    |
| Additional condition protection degree | inserted, locked, with screw connection |

**Mechanical data**

|              |                         |
|--------------|-------------------------|
| Housing type | Surface mounted housing |
|--------------|-------------------------|

**Mechanical data | Material data**

|                 |               |
|-----------------|---------------|
| Coating housing | powder-coated |
|-----------------|---------------|

|                 |          |
|-----------------|----------|
| Coating locking | verzinkt |
|-----------------|----------|

|                 |     |
|-----------------|-----|
| Material gasket | NBR |
|-----------------|-----|

|                  |                      |
|------------------|----------------------|
| Material housing | Aluminum die casting |
|------------------|----------------------|

|                           |         |
|---------------------------|---------|
| Material protective cover | Plastic |
|---------------------------|---------|

|                  |       |
|------------------|-------|
| Locking material | Steel |
|------------------|-------|

**Mechanical data | Mounting data**

|      |    |
|------|----|
| Size | B6 |
|------|----|

|                    |                      |
|--------------------|----------------------|
| Locking techniques | Single locking lever |
|--------------------|----------------------|

**Environmental characteristics | Climatic**

|                            |        |
|----------------------------|--------|
| Operating temperature min. | -40 °C |
|----------------------------|--------|

|                            |        |
|----------------------------|--------|
| Operating temperature max. | 100 °C |
|----------------------------|--------|

|                                    |           |
|------------------------------------|-----------|
| Climatic category (EN IEC 60068-1) | 40/100/21 |
|------------------------------------|-----------|