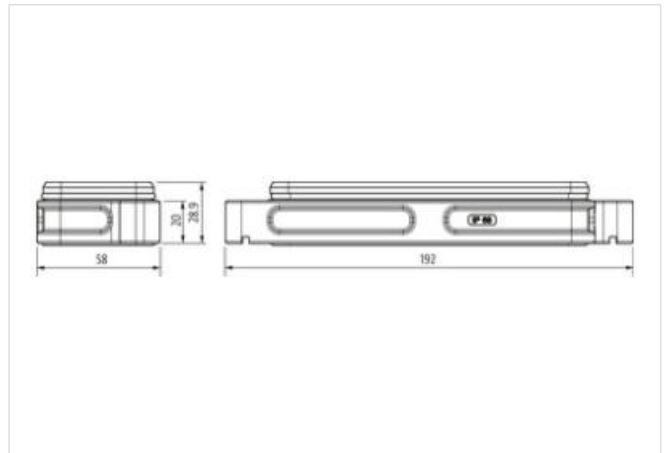


B24 Bulkhead mounted h., IP68

Screw locking

B24
Bulkhead mounted housing
Screw locking
IP68

Technical data will be only guaranteed with Murrelektronik components.

[Link to Product](#)**Illustration**

Product may differ from Image

Commercial data

ECLASS-6.0	27143424
ECLASS-6.1	27261203
ECLASS-7.0	27440202
ECLASS-8.0	27440202
ECLASS-9.0	27440202
ECLASS-10.1	27440202
ECLASS-11.1	27440202
ECLASS-12.0	27440202
ETIM-5.0	EC000437
customs tariff number	85389099
GTIN	4048879647441
Packaging unit	1

Installation | Connection

Mating cycles min.	500
--------------------	-----

Device protection | Electrical

Degree of protection (EN IEC 60529)	IP68
Additional condition protection degree	inserted, locked

Mechanical data

Housing type	Bulkhead mounted housing
--------------	--------------------------

Mechanical data | Material data

Coating housing	powder-coated
Material gasket	Silicon
Material housing	Aluminum die casting

Locking material Stainless steel

Mechanical data | Mounting data

Size	B24
Mounting method	Screw locking
Height	28,9 mm
Width	58 mm
Depth	192 mm

Environmental characteristics | Climatic

Operating temperature min.	-40 °C
Operating temperature max.	125 °C
Climatic category (EN IEC 60068-1)	40/125/21