

**MSUD valve plug A-18mm with cable**

RADOX EM 104 3x0.75 bk 10m

MSUD

Form A (18 mm)

230 V AC/DC

without components

Bridged PE

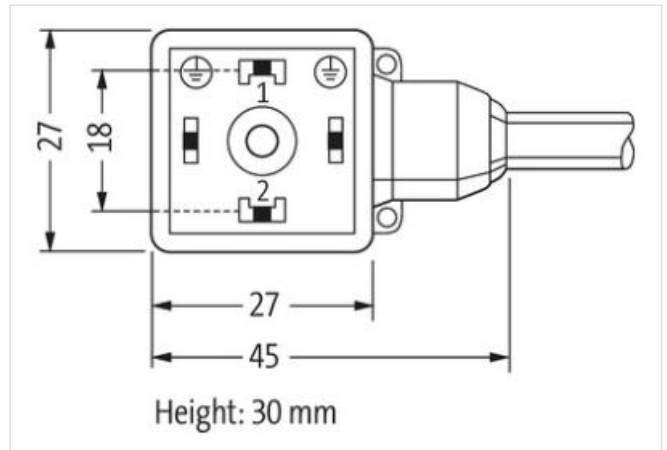
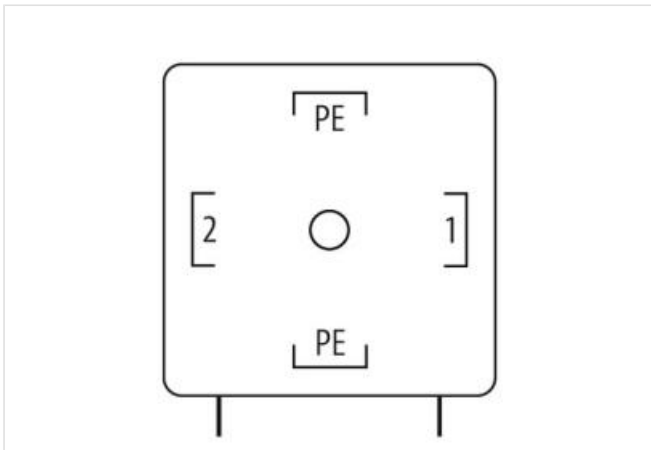
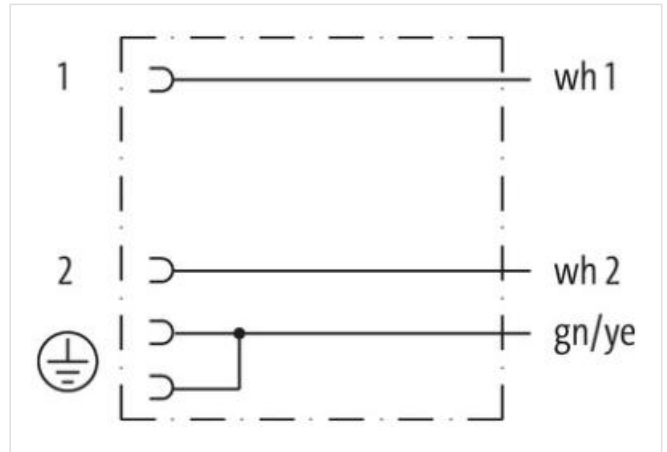
Further cable lengths on request.

Plastic housings with good resistance against chemicals and oils.

The resistance to aggressive media should be individually tested for your application. Further details on request.

**Ürün Linki**

örnekleme



Ürün Image farklı olabilir

Cable length 10 m

**Side 1**

Tightening torque 0,4 Nm

Thread M3

**Ticari bilgiler**

ECLASS-6.0 27279218

|                         |               |
|-------------------------|---------------|
| ECLASS-7.0              | 27279218      |
| ECLASS-8.0              | 27279218      |
| ECLASS-9.0              | 27060311      |
| ECLASS-10.1             | 27060312      |
| ECLASS-11.1             | 27060312      |
| ECLASS-12.0             | 27060312      |
| ETIM-5.0                | EC001855      |
| GTIN                    | 4048879672481 |
| Gümrük tarife no (gtip) | 85444290      |
| Paket miktarı           | 1             |

**Electrical data | Supply**

|                                    |       |
|------------------------------------|-------|
| Operating voltage AC max.          | 230 V |
| Operating voltage DC max.          | 230 V |
| Current operating per contact max. | 10 A  |
| Current consumption max.           | 10 mA |

**Diagnostics**

|                       |    |
|-----------------------|----|
| Status indication LED | no |
|-----------------------|----|

**Device protection | Electrical**

|                              |      |
|------------------------------|------|
| Pollution Degree             | 3    |
| Rated surge voltage          | 4 kV |
| Material group (IEC 60664-1) | I    |

**Mechanical data | Material data**

|                  |          |
|------------------|----------|
| Coating locking  | verzinkt |
| Color housing    | black    |
| Material gasket  | PUR      |
| Material housing | PBT      |
| Locking material | Steel    |

**Environmental characteristics | Climatic**

|  |                            |
|--|----------------------------|
| Operating temperature min.             | -25 °C                     |
| Operating temperature max.             | 85 °C                      |
| Additional condition temperature range | depending on cable quality |

**Important installation notes**

|                        |   |
|------------------------|---|
| Note on strain relief  | Protect the connectors by suitable measures from mechanical loads, e.g. by the usage of cable ties.   |
| Note on bending radius | <b>Attention:</b> Observe the permissible bending radii when laying cables, as the IP protection class can be endangered by excessive bending forces. |

**Installation | Cable**

|  |                                |
|--|--------------------------------|
| wire arrangement                         | white 1, white 2, green-yellow |
| Cable identification                     | R26                            |
| Printing color of wire insulation        | black (white isolation)        |
| Printing spacing of wire insulation      | 15 mm                          |
| Jacket Color                             | black                          |
| Stranding                                | 3 wires twisted                |
| wire arrangement                         | white 1, white 2, green-yellow |
| Cable weight                             | 56,1 g/m                       |
| Material jacket                          | Radox EM 104                   |
| Outer-diameter (jacket)                  | 5,15 mm                        |
| Tolerance outer diameter (sheath)        | ± 5 %                          |
| Material wire insulation                 | Radox EI 303                   |
| Amount wires                             | 3                              |
| Outer diameter insulation                | 1,62 mm                        |
| Outer diameter tolerance core insulation | ± 5 %                          |

|   |  |
|---|--|
| Printing color of wire insulation                 | black (white isolation)                              |
| Printing spacing of wire insulation               | 15 mm  |
| Amount strands (wire)                             | 19   |
| Diameter of single wires                          | 0,23 mm  |
| Conductor crosssection (wire)                     | 0,75 mm <sup>2</sup>                                 |
| Material conductor wire                           | copper stranded wire, tinned                         |
| Max. rated voltage (conductor - conductor)        | 1000 V   |
| Max. rated voltage (conductor - ground)           | 600 V  |
| Current load capacity (standard)                  | to DIN VDE 0298-4                                    |
| Current load capacity min. wire                   | 12 A   |
| Electrical resistance line constant wire          | 26,7 Ω/km @ 20 °C                                    |
| AC withstand voltage (wire - wire)                | 3,5 kV   |
| Power frequency withstand voltage (wire - jacket) | 3,5 kV   |
| Min. operating temperature (static)               | -50 °C   |
| Max. operating temperature (fixed)                | 120 °C   |
| Operating temperature min. (dynamic)              | -25 °C   |
| Operating temperature max. (dynamic)              | 90 °C  |
| Flame resistance                                  | IEC 60332-2-2   UL 1581 § 1100 FT2   UL 1581 § 1090  |
| chemical resistance                               | Good, application-related testing                    |
| Gasoline resistance                               | Good, application-related testing                    |
| Oil resistance                                    | DIN EN 60811-404   Good, application-related testing |
| Bending radius (fixed)                            | 3 x Outer diameter                                   |
| Bending radius (dynamic)                          | 4 x Outer diameter                                   |