

Valve plug MDCY06-4s / 2x valve plug A-18mm Xtreme

PUR 2x0.75 bk UL/CSA+drag ch. 1,0m

Xtreme - Outdoor

Y connector

The resistance to aggressive media should be individually tested for your application. Further details on request.

Further cable lengths on request.

Male straight

4-pole

12...24 V DC

compatibel to Deutsch DT06-4S

MSUD A

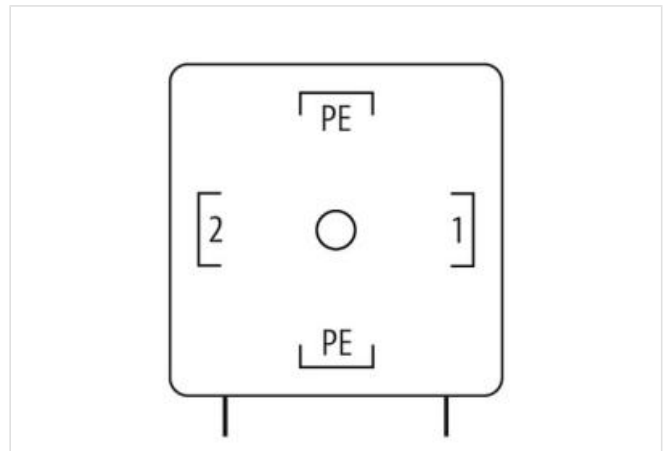
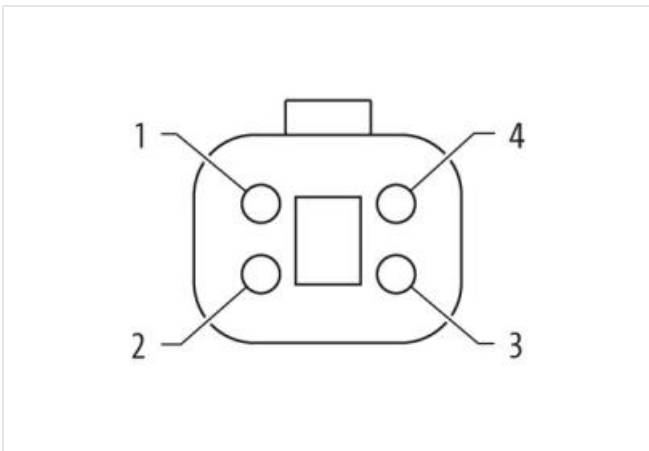
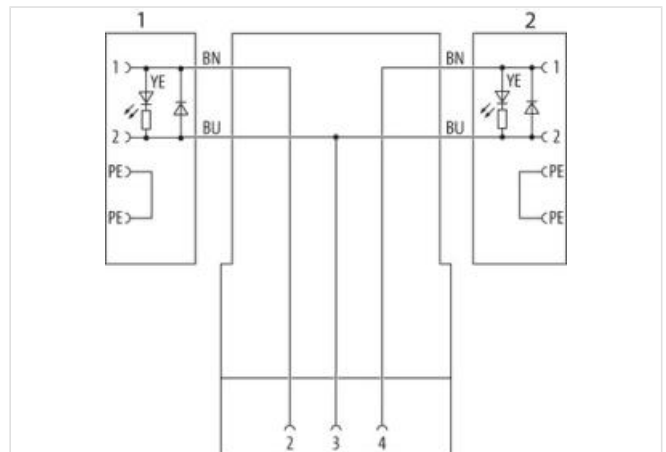
Flyback diode + LED

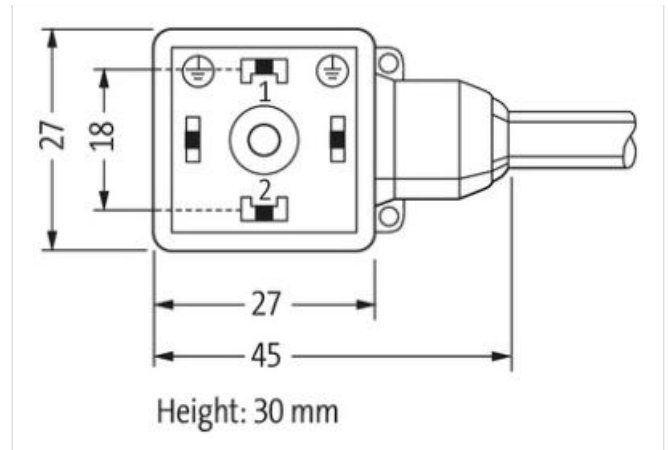
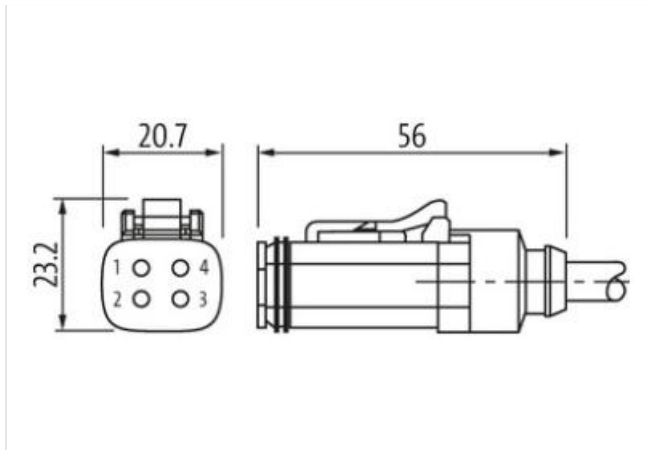
with cable sleeves

Plastic housings with good resistance against chemicals and oils.

[Link to Product](#)

Illustration





Product may differ from Image

| | |
|-------------------------------------|-------------------|
| Cable length | 1 m |
| Side 1 | |
| Mounting method | inserted, screwed |
| Coating contact | nickel plated |
| Family construction form | Amphenol AT06-4S |
| Material contact | Copper alloy |
| No. of poles | 4 |
| Degree of protection (EN IEC 60529) | IP68 |
| Side 2 | |
| Mounting method | inserted, screwed |
| Coating contact | nickel plated |
| Family construction form | MSUD A |
| Material contact | Copper alloy |
| No. of poles | 4 |
| Degree of protection (EN IEC 60529) | IP65, IP66K, IP68 |
| Side 3 | |
| Family construction form | MSUD A |
| Material contact | Copper alloy |
| No. of poles | 4 |
| Degree of protection (EN IEC 60529) | IP65, IP66K, IP68 |
| 取引条件 | |
| ECLASS-6.0 | 27279218 |
| ECLASS-6.1 | 27279218 |
| ECLASS-7.0 | 27279218 |
| ECLASS-8.0 | 27279218 |
| ECLASS-9.0 | 27060312 |
| ECLASS-10.1 | 27060312 |
| ECLASS-11.1 | 27060312 |
| ECLASS-12.0 | 27060312 |
| ETIM-5.0 | EC001855 |
| GTIN | 4065909025895 |
| HSコード | 85444290 |
| Packaging unit | 1 |
| Electrical data Supply | |
| Operating voltage DC min. | 12 V |
| Operating voltage DC max. | 24 V |

| | |
|------------------------------------|-----|
| Current operating per contact max. | 4 A |
|------------------------------------|-----|

Diagnostics

| | |
|-----------------------|--------|
| Status indication LED | yellow |
|-----------------------|--------|

Installation | Connection

| | |
|-------------------|--------|
| Tightening torque | 0,4 Nm |
|-------------------|--------|

| | |
|--------------|---------|
| Mounting set | M3 x 31 |
|--------------|---------|

Device protection | Electrical

| | |
|------------------|---|
| Pollution Degree | 3 |
|------------------|---|

| | |
|---------------------|--------|
| Rated surge voltage | 0,8 kV |
|---------------------|--------|

| | |
|------------------------------|---|
| Material group (IEC 60664-1) | I |
|------------------------------|---|

| | |
|-----------------------|---------------------|
| Additional suppressor | free-wheeling diode |
|-----------------------|---------------------|

Mechanical data | Material data

| | |
|-----------------|---------|
| Material gasket | Silicon |
|-----------------|---------|

| | |
|------------------|----|
| Material housing | PA |
|------------------|----|

| | |
|---------------------------|------------------------------|
| Material screw connection | Stainless steel 1.4305 (V2A) |
|---------------------------|------------------------------|

Mechanical data | Mounting data

| | |
|--------------------|-------------------|
| Looking techniques | Snap-in connector |
|--------------------|-------------------|

Environmental characteristics | Climatic

| | |
|----------------------------|--------|
| Operating temperature min. | -25 °C |
|----------------------------|--------|

| | |
|----------------------------|-------|
| Operating temperature max. | 85 °C |
|----------------------------|-------|

| | |
|--|----------------------------|
| Additional condition temperature range | depending on cable quality |
|--|----------------------------|

Important installation notes

| | |
|-----------------------|---|
| Note on strain relief | Protect the connectors by suitable measures from mechanical loads, e.g. by the usage of cable ties. |
|-----------------------|---|

| | |
|------------------------|---|
| Note on bending radius | Attention: Observe the permissible bending radii when laying cables, as the IP protection class can be endangered by excessive bending forces. |
|------------------------|---|

Installation | Cable

| | |
|------------------|-------------|
| wire arrangement | brown, blue |
|------------------|-------------|

| | |
|----------------------|-----|
| Cable identification | 754 |
|----------------------|-----|

| | |
|------------|---|
| Cable Type | 3 |
|------------|---|

| | |
|--------------|-------|
| Jacket Color | black |
|--------------|-------|

| | |
|---------------------|-------|
| Type of Certificate | cURus |
|---------------------|-------|

| | |
|------------------|---|
| Amount stranding | 1 |
|------------------|---|

| | |
|-----------|-----------------|
| Stranding | 2 wires twisted |
|-----------|-----------------|

| | |
|------------------|-------------|
| wire arrangement | brown, blue |
|------------------|-------------|

| | |
|--------------|----------|
| Cable weight | 40,7 g/m |
|--------------|----------|

| | |
|-----------------|-----|
| Material jacket | PUR |
|-----------------|-----|

| | |
|-----------------------|----------------|
| Shore hardness jacket | 90 ± 5 Shore A |
|-----------------------|----------------|

| | |
|-----------------------------------|--|
| Freedom from ingredients (jacket) | lead-free, cadmium-free, CFC-free, halogen-free, silicone-free |
|-----------------------------------|--|

| | |
|-------------------------|------|
| Outer-diameter (jacket) | 5 mm |
|-------------------------|------|

| | |
|-----------------------------------|-------|
| Tolerance outer diameter (sheath) | ± 5 % |
|-----------------------------------|-------|

| | |
|--------------------------|----|
| Material wire insulation | PP |
|--------------------------|----|

| | |
|--------------|---|
| Amount wires | 2 |
|--------------|---|

| | |
|---------------------------|--------|
| Outer diameter insulation | 1,7 mm |
|---------------------------|--------|

| | |
|--|-------|
| Outer diameter tolerance core insulation | ± 5 % |
|--|-------|

| | |
|--------------------------------|----------------|
| Shore hardness wire insulation | 70 ± 5 Shore D |
|--------------------------------|----------------|

| | |
|-------------------------------------|--|
| Ingredient freeness wire insulation | lead-free, cadmium-free, CFC-free, halogen-free, silicone-free |
|-------------------------------------|--|

| | |
|-----------------------|----|
| Amount strands (wire) | 42 |
|-----------------------|----|

| | |
|--------------------------|---------|
| Diameter of single wires | 0,15 mm |
|--------------------------|---------|

| | |
|-------------------------------|----------------------|
| Conductor crosssection (wire) | 0,75 mm ² |
|-------------------------------|----------------------|

| | |
|-------------------------|----------------------------|
| Material conductor wire | Stranded copper wire, bare |
|-------------------------|----------------------------|

| | |
|-----------------------|----------------|
| Conductor type (wire) | strand class 6 |
|-----------------------|----------------|

| | |
|---|--|
| Nominal voltage AC max. | 300 V |
| Current load capacity (standard) | to DIN VDE 0298-4 |
| Current load capacity min. wire | 12 A |
| Electrical resistance line constant wire | 26 Ω /km @ 20 °C |
| AC withstand voltage (wire - wire) | 2,5 kV @ 60 s |
| Power frequency withstand voltage (wire - jacket) | 2,5 kV @ 60 s |
| Min. operating temperature (static) | -40 °C |
| Max. operating temperature (fixed) | 80 °C / 90 °C @ 10000 h Operation |
| Operating temperature min. (dynamic) | -25 °C |
| Operating temperature max. (dynamic) | 80 °C / 90 °C @ 10000 h Operation |
| UV resistance | DIN EN ISO 4892-2 A |
| Flame resistance | UL 1581 § 1090 UL 1581 § 1100 FT2 IEC 60332-2-2 |
| chemical resistance | Good, application-related testing |
| Gasoline resistance | Good, application-related testing |
| Oil resistance | DIN EN 60811-404 Good, application-related testing |
| Bending radius (fixed) | 5 x Outer diameter |
| Bending radius (dynamic) | 10 x Outer diameter |
| No. of bending cycles (C-track) | 10 Mio. @ 25 °C |
| Traversing distance (C-track) | 10 m @ 25 °C horizontal |
| Travel speed (C-track) | 3 m/s @ 25 °C |
| No. of torsion cycles | 2 Mio. |
| Torsion stress | \pm 180 °/m |
| Torsion speed | 35 cycles/min |