

**Valve plug MDC06-4s / M12 female 0° Xtreme**

PUR 4x0.75 bk UL/CSA+drag ch. 0.3m

Xtreme - Outdoor

Female straight – male straight

Stainless steel 1.4305 (V2A/M12)

6...230 V AC/DC

4-pole

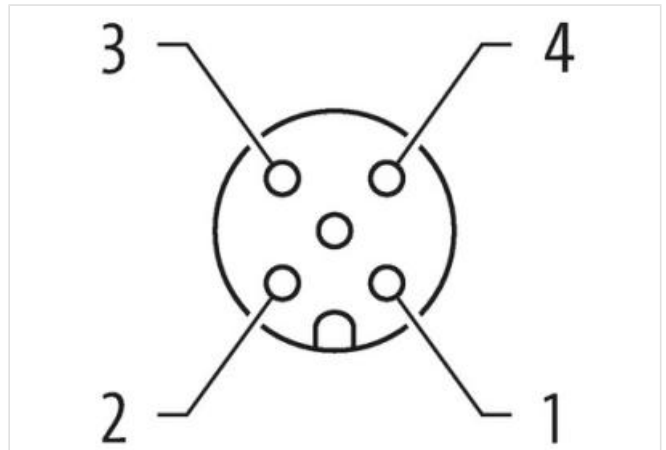
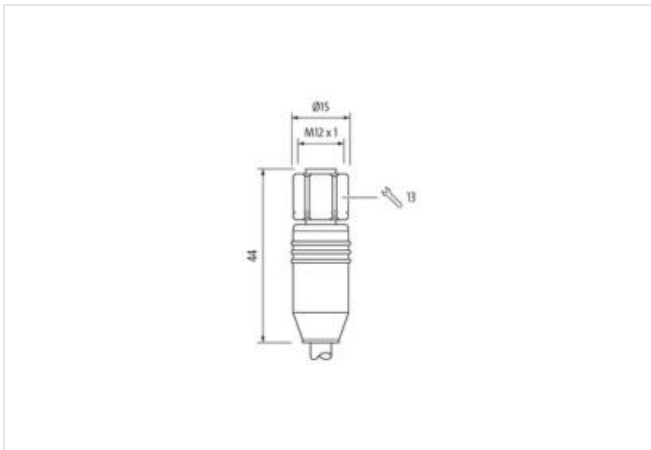
without components

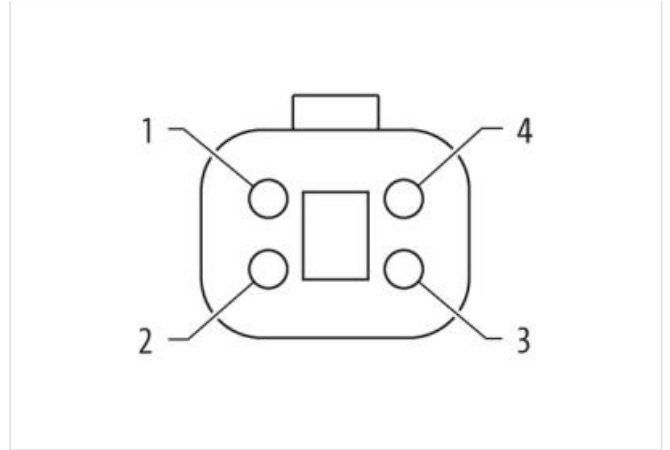
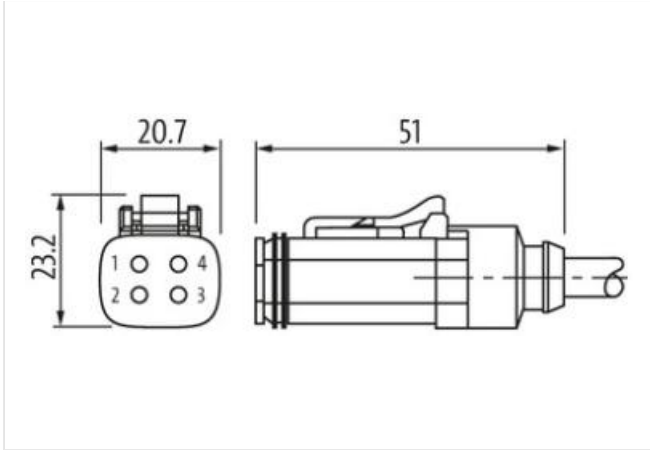
compatibel to Deutsch DT06-4S

Plastic housings with good resistance against chemicals and oils.

The resistance to aggressive media should be individually tested for your application. Further details on request.

Further cable lengths on request.

**Ürün Linki****örnekleme**



Ürün Image farklı olabilir

|                                     |                   |
|-------------------------------------|-------------------|
| Cable length                        | 0,3 m             |
| <b>Side 1</b>                       |                   |
| Tightening torque                   | 0,6 Nm            |
| Mounting method                     | inserted, screwed |
| Coating contact                     | gold plated       |
| Family construction form            | M12               |
| Thread                              | M12 x 1           |
| Coding                              | A                 |
| Material contact                    | Copper alloy      |
| Material                            | PUR               |
| No. of poles                        | 4                 |
| Width across flats                  | SW14              |
| Degree of protection (EN IEC 60529) | IP65, IP66K, IP68 |
| <b>Side 2</b>                       |                   |
| Tightening torque                   | 0,6 Nm            |
| Mounting method                     | inserted, screwed |
| Coating contact                     | nickel plated     |
| Family construction form            | Amphenol AT06-4S  |
| Thread                              | M12 x 1           |
| Material                            | PA                |
| No. of poles                        | 4                 |
| Degree of protection (EN IEC 60529) | IP68              |
| <b>Ticari bilgiler</b>              |                   |
| ECLASS-6.0                          | 27279218          |
| ECLASS-7.0                          | 27279218          |
| ECLASS-8.0                          | 27279218          |
| ECLASS-9.0                          | 27060311          |
| ECLASS-10.1                         | 27060312          |
| ECLASS-11.1                         | 27060312          |
| ECLASS-12.0                         | 27060312          |
| ETIM-5.0                            | EC001855          |
| GTIN                                | 4048879751964     |
| Gümrük tarife no (gtip)             | 85444290          |
| Paket miktarı                       | 1                 |
| <b>Electrical data   Supply</b>     |                   |
| Operating voltage AC min.           | 6 V               |

|                                    |       |
|------------------------------------|-------|
| Operating voltage AC max.          | 230 V |
| Operating voltage DC min.          | 6 V   |
| Operating voltage DC max.          | 230 V |
| Current operating per contact max. | 4 A   |

#### Diagnostics

|                       |    |
|-----------------------|----|
| Status indication LED | no |
|-----------------------|----|

#### Device protection | Electrical

|                              |                    |
|------------------------------|--------------------|
| Pollution Degree             | 3                  |
| Rated surge voltage          | 2,5 kV             |
| Material group (IEC 60664-1) | I                  |
| Additional suppressor        | without components |

#### Mechanical data | Material data

|                  |                              |
|------------------|------------------------------|
| Material gasket  | Silicon                      |
| Locking material | Stainless steel 1.4305 (V2A) |

#### Mechanical data | Mounting data

|                    |                                       |
|--------------------|---------------------------------------|
| Mounting method    | inserted, screwed, Shaking protection |
| Looking techniques | Snap-in connector                     |

#### Environmental characteristics | Climatic

|  |                            |
|--|----------------------------|
| Operating temperature min.             | -25 °C                     |
| Operating temperature max.             | 85 °C                      |
| Additional condition temperature range | depending on cable quality |

#### Important installation notes

|                        |   |
|------------------------|---|
| Note on strain relief  | Protect the connectors by suitable measures from mechanical loads, e.g. by the usage of cable ties.   |
| Note on bending radius | <b>Attention:</b> Observe the permissible bending radii when laying cables, as the IP protection class can be endangered by excessive bending forces. |

#### Conformity

|                  |                          |
|------------------|--------------------------|
| Product standard | DIN EN 61076-2-101 (M12) |
|------------------|--------------------------|

#### Installation | Cable

|  |  |
|--|--|
| wire arrangement                         | brown, black, blue, white                                      |
| Cable identification                     | 569  |
| Cable Type                               | 3  |
| Jacket Color                             | black  |
| Type of Certificate                      | cURus  |
| Amount stranding                         | 1  |
| Stranding                                | 4 wires twisted  |
| wire arrangement                         | brown, black, blue, white                                      |
| Cable weight                             | 62,7 g/m   |
| Material jacket                          | PUR  |
| Shore hardness jacket                    | 90 ± 5 Shore A   |
| Freedom from ingredients (jacket)        | lead-free, cadmium-free, CFC-free, halogen-free, silicone-free |
| Outer-diameter (jacket)                  | 6,5 mm   |
| Tolerance outer diameter (sheath)        | ± 5 %  |
| Material wire insulation                 | PP   |
| Amount wires                             | 4  |
| Outer diameter insulation                | 1,85 mm  |
| Outer diameter tolerance core insulation | ± 5 %  |
| Shore hardness wire insulation           | 70 ± 5 Shore D   |
| Ingredient freeness wire insulation      | lead-free, cadmium-free, CFC-free, halogen-free, silicone-free |
| Amount strands (wire)                    | 42   |
| Diameter of single wires                 | 0,15 mm  |
| Conductor crosssection (wire)            | 0,75 mm <sup>2</sup>   |

|   |  |
|---|--|
| Material conductor wire                           | Stranded copper wire, bare                           |
| Conductor type (wire)                             | strand class 6                                       |
| Nominal voltage AC max.                           | 300 V  |
| Current load capacity (standard)                  | to DIN VDE 0298-4                                    |
| Current load capacity min. wire                   | 9,6 A  |
| Electrical resistance line constant wire          | 26 $\Omega$ /km @ 20 °C                              |
| AC withstand voltage (wire - wire)                | 2,5 kV @ 60 s  |
| Power frequency withstand voltage (wire - jacket) | 2,5 kV @ 60 s  |
| Min. operating temperature (static)               | -40 °C   |
| Max. operating temperature (fixed)                | 80 °C / 90 °C @ 10000 h Operation                    |
| Operating temperature min. (dynamic)              | -25 °C   |
| Operating temperature max. (dynamic)              | 80 °C / 90 °C @ 10000 h Operation                    |
| UV resistance                                     | DIN EN ISO 4892-2 A                                  |
| Flame resistance                                  | IEC 60332-2-2   UL 1581 § 1100 FT2   UL 1581 § 1090  |
| chemical resistance                               | Good, application-related testing                    |
| Gasoline resistance                               | Good, application-related testing                    |
| Oil resistance                                    | Good, application-related testing   DIN EN 60811-404 |
| Bending radius (fixed)                            | 5 x Outer diameter                                   |
| Bending radius (dynamic)                          | 10 x Outer diameter                                  |
| No. of bending cycles (C-track)                   | 10 Mio. @ 25 °C                                      |
| Traversing distance (C-track)                     | 10 m @ 25 °C   horizontal                            |
| Travel speed (C-track)                            | 3 m/s @ 25 °C  |
| No. of torsion cycles                             | 2 Mio.   |
| Torsion stress                                    | $\pm$ 180 °/m  |
| Torsion speed                                     | 35 cycles/min  |