

**Valve plug MSC SuperSeal male/MSC SuperSeal female**

PUR 4x0.75 sw 2m

Xtreme - Outdoor

Male straight – female straight

max. 24 V DC

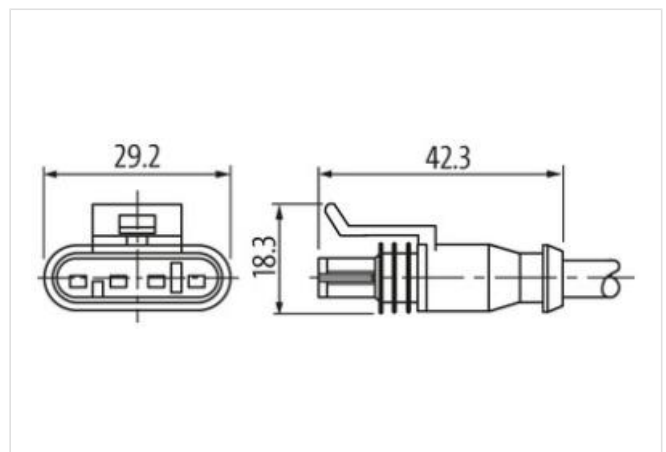
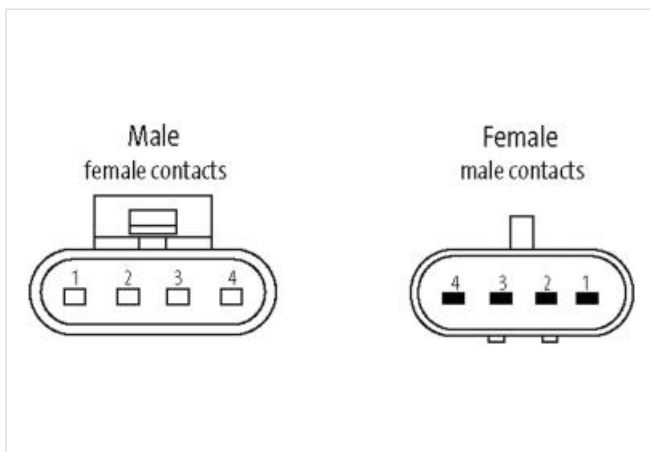
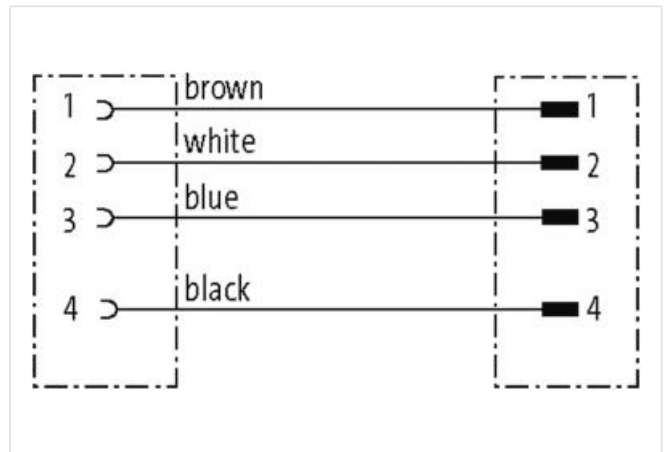
4-pole

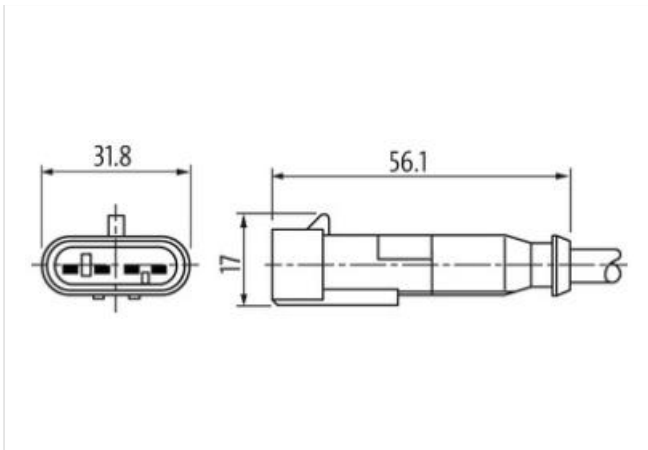
without components

Plastic housings with good resistance against chemicals and oils.

The resistance to aggressive media should be individually tested for your application. Further details on request.

Further cable lengths on request.

**[Link to Product](#)****Illustration**



Product may differ from Image

Cable length	2 m
<b>Side 1</b>	
Mounting method	inserted
Coating contact	tin-plated
Family construction form	SuperSeal
Material contact	Copper alloy
No. of poles	4
Degree of protection (EN IEC 60529)	IP67, IP69K
<b>Side 2</b>	
Mounting method	inserted
Coating contact	tin-plated
Family construction form	SuperSeal
No. of poles	4
<b>取引条件</b>	
ECLASS-6.0	27279218
ECLASS-6.1	27279218
ECLASS-7.0	27279218
ECLASS-8.0	27279218
ECLASS-9.0	27060312
ECLASS-10.1	27060312
ECLASS-11.1	27060312
ECLASS-12.0	27060312
ETIM-5.0	EC000830
GTIN	4048879703710
HSコード	85444290
Packaging unit	1
<b>Electrical data   Supply</b>	
Operating voltage DC max.	24 V
Current operating per contact max.	7 A
<b>Diagnostics</b>	
Status indication LED	no
<b>Installation   Connection</b>	
Family construction form	AMP SuperSeal 1.5
<b>Device protection   Electrical</b>	
Additional condition protection degree	inserted
Additional suppressor	without components

このデータシートに含まれる情報は最大限の注意を払って作成されました。

Liability for the correctness completeness and topicality of the information is restricted to gross negligence. Version: 2024-06-22

Murrelektronik GmbH | Falkenstr. 3 | 71570 Oppenweiler | Fon +49 (71 91) 47-0 | Fax +49 (71 91) 47-491000 | shop@murrelektronik.com | shop.murrelektronik.com

Mechanical data   Material data	
Color housing	black
Material gasket	Silicon
Material housing	Plastic
Material overmolding	TPU
Mechanical data   Mounting data	
Looking techniques	Snap-in connector
Environmental characteristics   Climatic	
Operating temperature min.	-40 °C
Operating temperature max.	125 °C
Additional condition temperature range	depending on cable quality
Important installation notes	
Note on strain relief	Protect the connectors by suitable measures from mechanical loads, e.g. by the usage of cable ties.
Note on bending radius	<b>Attention:</b> Observe the permissible bending radii when laying cables, as the IP protection class can be endangered by excessive bending forces.
Installation   Cable	
wire arrangement	brown, black, blue, white
Cable identification	514
Jacket Color	black
Amount stranding	1
Stranding	4 wires twisted
wire arrangement	brown, black, blue, white
Material jacket	PUR
Outer-diameter (jacket)	5,7 mm
Tolerance outer diameter (sheath)	± 5 %
Material wire insulation	PP
Amount wires	4
Outer diameter insulation	1,79 mm
Outer diameter tolerance core insulation	± 5 %
Amount strands (wire)	42
Diameter of single wires	0,15 mm
Conductor crosssection (wire)	0,75 mm <sup>2</sup>
Material conductor wire	Stranded copper wire, bare
Conductor type (wire)	strand class 6
Nominal voltage AC max.	300 V
Current load capacity (standard)	to DIN VDE 0298-4
Current load capacity min. wire	12 A
Electrical resistance line constant wire	58 Ω/km
Operating temperature min. (dynamic)	-25 °C
Operating temperature max. (dynamic)	80 °C
UV resistance	DIN EN ISO 4892-2 A
Flame resistance	UL 1581 § 1100 FT2   IEC 60332-2-2   UL 1581 § 1090
chemical resistance	Good, application-related testing
Gasoline resistance	Good, application-related testing
Oil resistance	Good, application-related testing   DIN EN 60811-404
Bending radius (dynamic)	6 x Outer diameter
No. of bending cycles (C-track)	2 Mio.