

**Valve plug MSC SuperSeal male/MSC SuperSeal female**

PUR 4x0.75 sw 2m

Xtreme - Outdoor

Male straight – female straight

max. 24 V DC

4-pole

without components

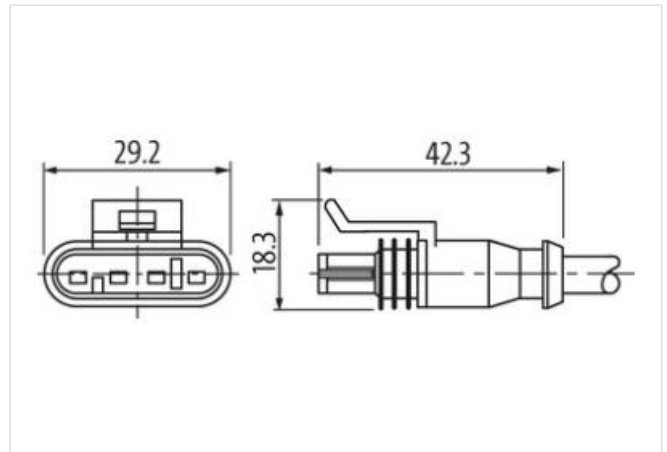
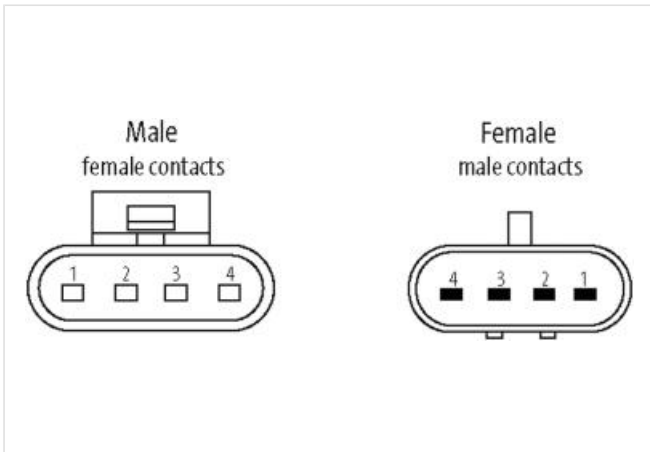
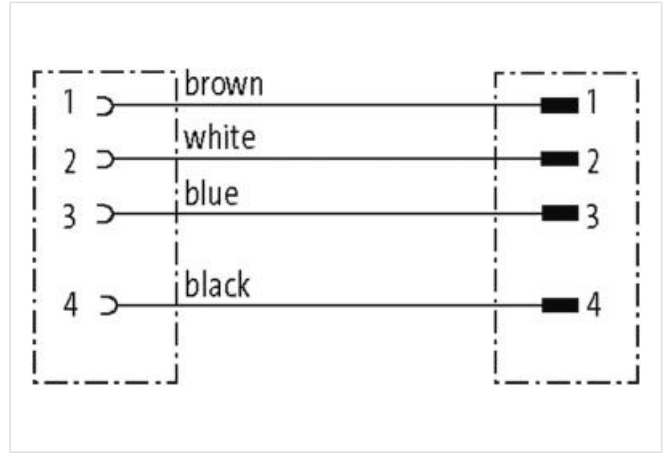
Plastic housings with good resistance against chemicals and oils.

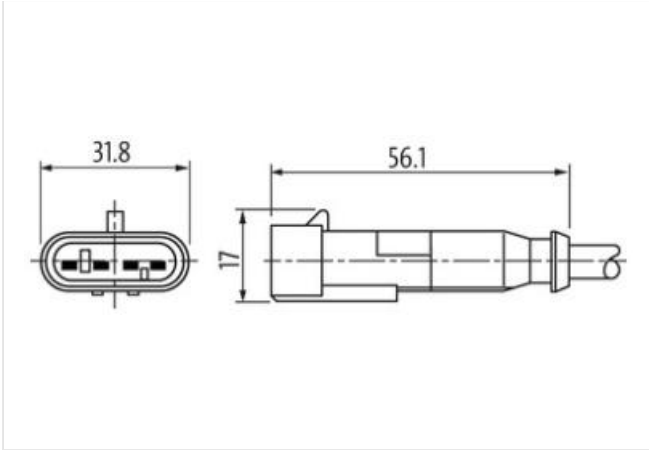
The resistance to aggressive media should be individually tested for your application. Further details on request.

Further cable lengths on request.

**Ürün Linki**

örnekleme





Ürün Image farklı olabilir

Cable length	2 m
<b>Side 1</b>	
Mounting method	inserted
Coating contact	tin-plated
Family construction form	SuperSeal
Material contact	Copper alloy
No. of poles	4
Degree of protection (EN IEC 60529)	IP67, IP69K
<b>Side 2</b>	
Mounting method	inserted
Coating contact	tin-plated
Family construction form	SuperSeal
No. of poles	4
<b>Ticari bilgiler</b>	
ECLASS-6.0	27279218
ECLASS-6.1	27279218
ECLASS-7.0	27279218
ECLASS-8.0	27279218
ECLASS-9.0	27060312
ECLASS-10.1	27060312
ECLASS-11.1	27060312
ECLASS-12.0	27060312
ETIM-5.0	EC000830
GTIN	4048879703710
Gümrük tarife no (gtip)	85444290
Paket miktarı	1
<b>Electrical data   Supply</b>	
Operating voltage DC max.	24 V
Current operating per contact max.	7 A
<b>Diagnostics</b>	
Status indication LED	no
<b>Installation   Connection</b>	
Family construction form	AMP SuperSeal 1.5
<b>Device protection   Electrical</b>	
Additional condition protection degree	inserted
Additional suppressor	without components

**Mechanical data | Material data**

Color housing	black
Material gasket	Silicon
Material housing	Plastic
Material overmolding	TPU

**Mechanical data | Mounting data**

Looking techniques	Snap-in connector
--------------------	-------------------

**Environmental characteristics | Climatic**

Operating temperature min.	-40 °C
Operating temperature max.	125 °C
Additional condition temperature range	depending on cable quality

**Important installation notes**

Note on strain relief	Protect the connectors by suitable measures from mechanical loads, e.g. by the usage of cable ties.
Note on bending radius	<b>Attention:</b> Observe the permissible bending radii when laying cables, as the IP protection class can be endangered by excessive bending forces.

**Installation | Cable**

wire arrangement	brown, black, blue, white
Cable identification	514
Jacket Color	black
Amount stranding	1
Stranding	4 wires twisted
wire arrangement	brown, black, blue, white
Material jacket	PUR
Outer-diameter (jacket)	5,7 mm
Tolerance outer diameter (sheath)	± 5 %
Material wire insulation	PP
Amount wires	4
Outer diameter insulation	1,79 mm
Outer diameter tolerance core insulation	± 5 %
Amount strands (wire)	42
Diameter of single wires	0,15 mm
Conductor crosssection (wire)	0,75 mm <sup>2</sup>
Material conductor wire	Stranded copper wire, bare
Conductor type (wire)	strand class 6
Nominal voltage AC max.	300 V
Current load capacity (standard)	to DIN VDE 0298-4
Current load capacity min. wire	12 A
Electrical resistance line constant wire	58 Ω/km
Operating temperature min. (dynamic)	-25 °C
Operating temperature max. (dynamic)	80 °C
UV resistance	DIN EN ISO 4892-2 A
Flame resistance	UL 1581 § 1100 FT2   IEC 60332-2-2   UL 1581 § 1090
chemical resistance	Good, application-related testing
Gasoline resistance	Good, application-related testing
Oil resistance	Good, application-related testing   DIN EN 60811-404
Bending radius (dynamic)	6 x Outer diameter
No. of bending cycles (C-track)	2 Mio.