

**Valve plug MDC06-2s short LED with cable**

PUR 2x0.75 bk 1,5m

Xtreme - Outdoor

Male straight

Further cable lengths on request.

12...24 V DC

2-pole

LED

Compatible with:

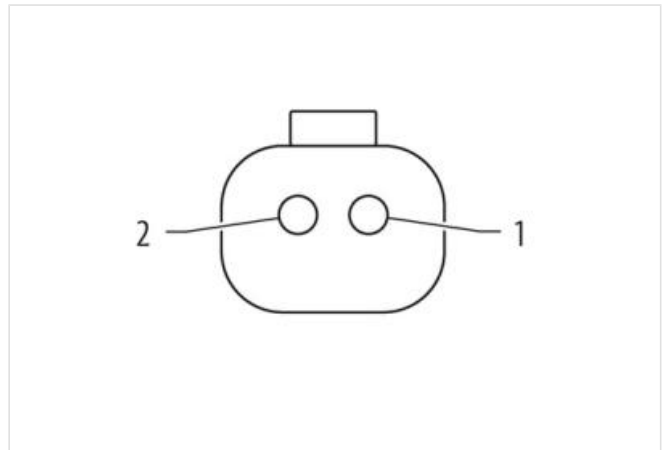
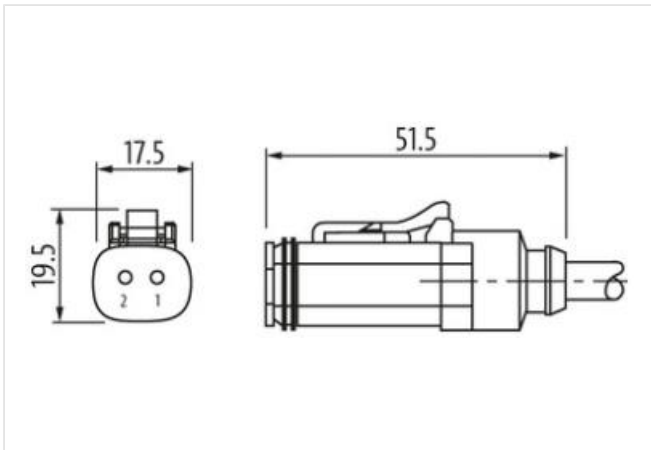
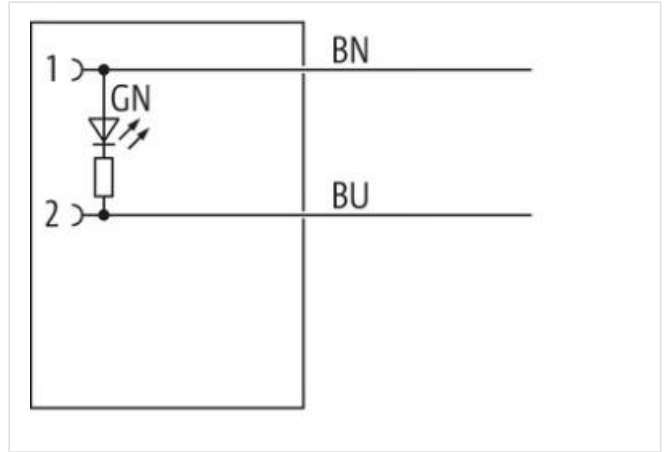
Deutsch DT06-2S

Plastic housings with good resistance against chemicals and oils.

The resistance to aggressive media should be individually tested for your application. Further details on request.

**Ürün Linki**

örnekleme



Ürün Image farklı olabilir



Cable length 1,5 m

**Side 1**

Mounting method inserted  
Coating contact nickel plated  
Family construction form MDC  
suitable for corrugated tube (internal Ø) 10 mm  
Material contact Copper alloy  
No. of poles 2

**Side 2**

Stripping length (jacket) 20 mm

**Ticari bilgiler**

ECLASS-6.0 27279218  
ECLASS-6.1 27279218  
ECLASS-7.0 27279218  
ECLASS-8.0 27279218  
ECLASS-9.0 27060312  
ECLASS-10.1 27060312  
ECLASS-11.1 27060312  
ECLASS-12.0 27060312  
ETIM-5.0 EC001855  
GTIN 4065909031629  
Gümrük tarife no (gtip) 85444290  
Paket miktarı 1

**Electrical data | Supply**

Operating voltage DC min. 12 V  
Operating voltage DC max. 24 V  
Current operating per contact max. 8 A

**Diagnostics**

Status indication LED green

**Installation | Connection**

Stripping length (jacket) 20 mm  
Family construction form Amphenol AT06-2S

**Device protection | Electrical**

Degree of protection (ISO 20653:2013) IP66K, IP68, IP69K  
Pollution Degree 2  
Rated surge voltage 0,8 kV  
Material group (IEC 60664-1) III  
Additional suppressor without components

**Mechanical data | Material data**

Material gasket Silicon  
Material housing PA

**Mechanical data | Mounting data**

Looking techniques Snap-in connector

**Environmental characteristics | Climatic**

Operating temperature min. -25 °C  
Operating temperature max. 85 °C  
Additional condition temperature range depending on cable quality

**Important installation notes**

Note on strain relief Protect the connectors by suitable measures from mechanical loads, e.g. by the usage of cable ties.

Note on bending radius

**Attention:** Observe the permissible bending radii when laying cables, as the IP protection class can be endangered by excessive bending forces.

Installation   Cable	
wire arrangement	brown, blue
Cable identification	750
Jacket Color	black
Amount stranding	1
Stranding	2 wires twisted
Stranding factor min.	75 mm
Stranding factor max.	75 mm
wire arrangement	brown, blue
Cable weight	48,4 g/m
Material jacket	PUR
Shore hardness jacket	85 Shore A
Freedom from ingredients (jacket)	lead-free, CFC-free
Outer-diameter (jacket)	5,9 mm
Tolerance outer diameter (sheath)	± 5 %
Material inner jacket	PVC
Color (inner jacket)	gray
Material wire insulation	PVC
Amount wires	2
Outer diameter insulation	2 mm
Outer diameter tolerance core insulation	± 5 %
Shore hardness wire insulation	92 Shore A
Ingredient freeness wire insulation	lead-free, CFC-free
Amount strands (wire)	24
Diameter of single wires	0,2 mm
Conductor crosssection (wire)	0,75 mm <sup>2</sup>
Material conductor wire	Stranded copper wire, bare
Conductor type (wire)	Strand class 5
Nominal voltage AC max.	300 V
Current load capacity (standard)	to DIN VDE 0298-4
Current load capacity min. wire	12 A
Electrical resistance line constant wire	26 Ω/km @ 20 °C
AC withstand voltage (wire - wire)	2 kV @ 60 s
Power frequency withstand voltage (wire - jacket)	2 kV @ 60 s
Min. operating temperature (static)	-40 °C
Max. operating temperature (fixed)	80 °C
Operating temperature min. (dynamic)	-5 °C
Operating temperature max. (dynamic)	80 °C
UV resistance	DIN EN ISO 4892-2 A
Flame resistance	UL 1581 § 1100 FT2   IEC 60332-2-2   UL 1581 § 1090
chemical resistance	Good, application-related testing
Gasoline resistance	Good, application-related testing
Oil resistance	Good, application-related testing   DIN EN 60811-404
Bending radius (dynamic)	15 x Outer diameter