

## Valve plug MDC06-2s short with cable

PUR 2x0.75 bk 10m

Xtreme - Outdoor

Further cable lengths on request.

Male straight

12...230 V AC/DC

2-pole

without components

Compatible with:

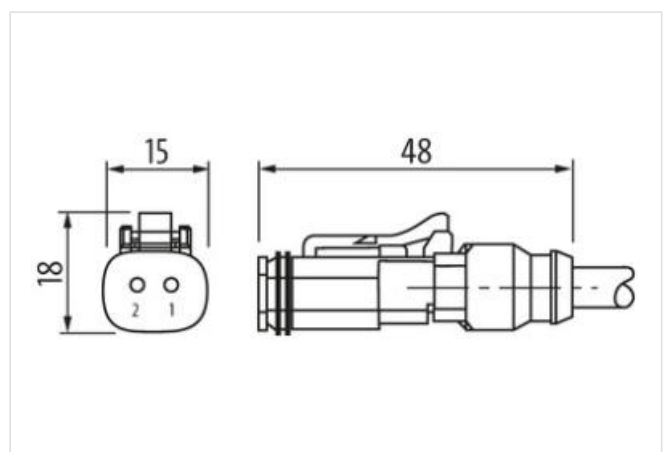
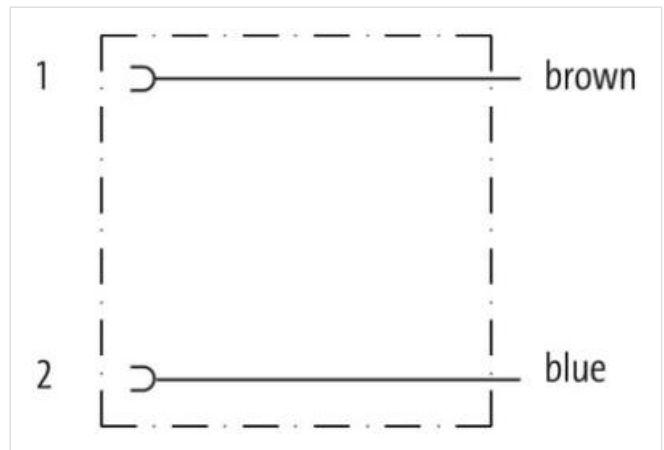
Deutsch DT06-2S

Plastic housings with good resistance against chemicals and oils.

The resistance to aggressive media should be individually tested for your application. Further details on request.

### Link to Product

#### Illustration



Product may differ from Image



|              |      |
|--------------|------|
| Cable length | 10 m |
|--------------|------|

**Side 1**

|                          |               |
|--------------------------|---------------|
| Mounting method          | inserted      |
| Coating contact          | nickel plated |
| Family construction form | MDC           |
| Material contact         | Copper alloy  |
| No. of poles             | 2             |

**Side 2**

|                           |       |
|---------------------------|-------|
| Stripping length (jacket) | 20 mm |
|---------------------------|-------|

**取引条件**

|                |               |
|----------------|---------------|
| ECLASS-6.0     | 27279218      |
| ECLASS-7.0     | 27279218      |
| ECLASS-8.0     | 27279218      |
| ECLASS-9.0     | 27060311      |
| ECLASS-10.1    | 27060312      |
| ECLASS-11.1    | 27060312      |
| ECLASS-12.0    | 27060312      |
| ETIM-5.0       | EC001855      |
| GTIN           | 4048879731188 |
| HSコード          | 85444290      |
| Packaging unit | 1             |

**Electrical data | Supply**

|                                    |       |
|------------------------------------|-------|
| Operating voltage AC min.          | 6 V   |
| Operating voltage AC max.          | 230 V |
| Operating voltage DC min.          | 6 V   |
| Operating voltage DC max.          | 230 V |
| Current operating per contact max. | 8 A   |

**Diagnostics**

|                       |    |
|-----------------------|----|
| Status indication LED | no |
|-----------------------|----|

**Installation | Connection**

|                           |                  |
|---------------------------|------------------|
| Stripping length (jacket) | 20 mm            |
| Family construction form  | Amphenol AT06-2S |

**Device protection | Electrical**

|                                       |                    |
|---------------------------------------|--------------------|
| Degree of protection (ISO 20653:2013) | IP66K, IP68, IP69K |
| Pollution Degree                      | 2                  |
| Rated surge voltage                   | 2,5 kV             |
| Material group (IEC 60664-1)          | III                |
| Additional suppressor                 | without components |

**Mechanical data | Material data**

|                  |         |
|------------------|---------|
| Material gasket  | Silicon |
| Material housing | PA      |

**Mechanical data | Mounting data**

|                    |                   |
|--------------------|-------------------|
| Looking techniques | Snap-in connector |
|--------------------|-------------------|

**Environmental characteristics | Climatic**

|  |                            |
|--|----------------------------|
| Operating temperature min.             | -25 °C                     |
| Operating temperature max.             | 85 °C                      |
| Additional condition temperature range | depending on cable quality |

**Important installation notes**

|                       |   |
|-----------------------|---|
| Note on strain relief | Protect the connectors by suitable measures from mechanical loads, e.g. by the usage of cable ties. |
|-----------------------|---|

Note on bending radius

**Attention:** Observe the permissible bending radii when laying cables, as the IP protection class can be endangered by excessive bending forces.

| Installation   Cable                              |  |
|---|--|
| wire arrangement                                  | brown, blue  |
| Cable identification                              | 750  |
| Jacket Color                                      | black  |
| Amount stranding                                  | 1  |
| Stranding   | 2 wires twisted                                      |
| Stranding factor min.                             | 75 mm  |
| Stranding factor max.                             | 75 mm  |
| wire arrangement                                  | brown, blue  |
| Cable weight                                      | 48,4 g/m   |
| Material jacket                                   | PUR  |
| Shore hardness jacket                             | 85 Shore A   |
| Freedom from ingredients (jacket)                 | lead-free, CFC-free                                  |
| Outer-diameter (jacket)                           | 5,9 mm   |
| Tolerance outer diameter (sheath)                 | ± 5 %  |
| Material inner jacket                             | PVC  |
| Color (inner jacket)                              | gray   |
| Material wire insulation                          | PVC  |
| Amount wires                                      | 2  |
| Outer diameter insulation                         | 2 mm   |
| Outer diameter tolerance core insulation          | ± 5 %  |
| Shore hardness wire insulation                    | 92 Shore A   |
| Ingredient freeness wire insulation               | lead-free, CFC-free                                  |
| Amount strands (wire)                             | 24   |
| Diameter of single wires                          | 0,2 mm   |
| Conductor crosssection (wire)                     | 0,75 mm <sup>2</sup>                                 |
| Material conductor wire                           | Stranded copper wire, bare                           |
| Conductor type (wire)                             | Strand class 5                                       |
| Nominal voltage AC max.                           | 300 V  |
| Current load capacity (standard)                  | to DIN VDE 0298-4                                    |
| Current load capacity min. wire                   | 12 A   |
| Electrical resistance line constant wire          | 26 Ω/km @ 20 °C                                      |
| AC withstand voltage (wire - wire)                | 2 kV @ 60 s  |
| Power frequency withstand voltage (wire - jacket) | 2 kV @ 60 s  |
| Min. operating temperature (static)               | -40 °C   |
| Max. operating temperature (fixed)                | 80 °C  |
| Operating temperature min. (dynamic)              | -5 °C  |
| Operating temperature max. (dynamic)              | 80 °C  |
| UV resistance                                     | DIN EN ISO 4892-2 A                                  |
| Flame resistance                                  | UL 1581 § 1100 FT2   IEC 60332-2-2   UL 1581 § 1090  |
| chemical resistance                               | Good, application-related testing                    |
| Gasoline resistance                               | Good, application-related testing                    |
| Oil resistance                                    | Good, application-related testing   DIN EN 60811-404 |
| Bending radius (dynamic)                          | 15 x Outer diameter                                  |