

**M12 male 90° / M12 female 90° A-cod. shielded F&B**

PVC 0.5+0.25 shielded gy 1m

Cube67

Further cable lengths on request.

Male 90° – female 90°

M12 – M12, 6-pole

A-coded

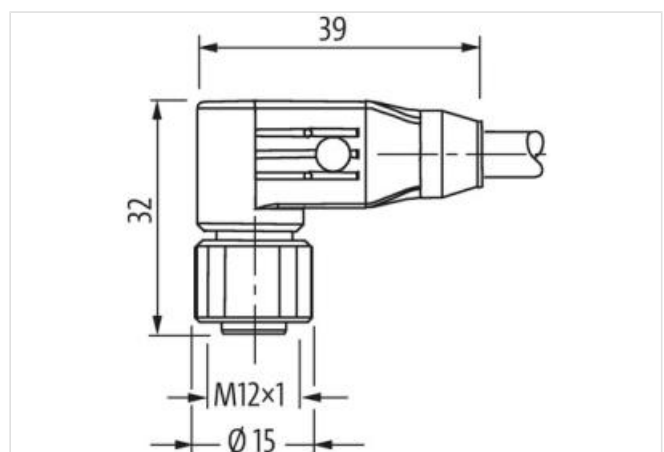
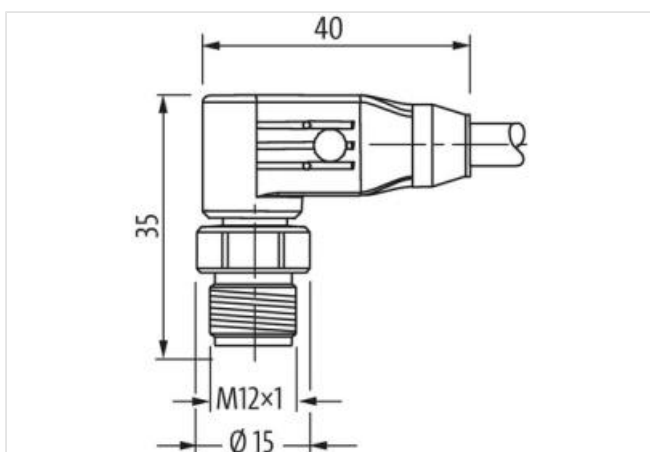
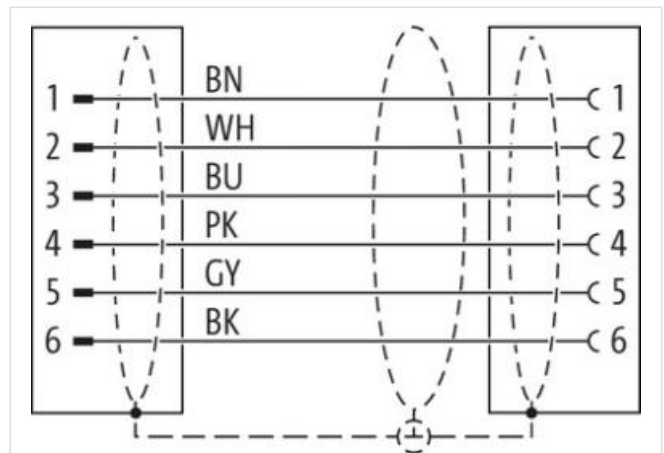
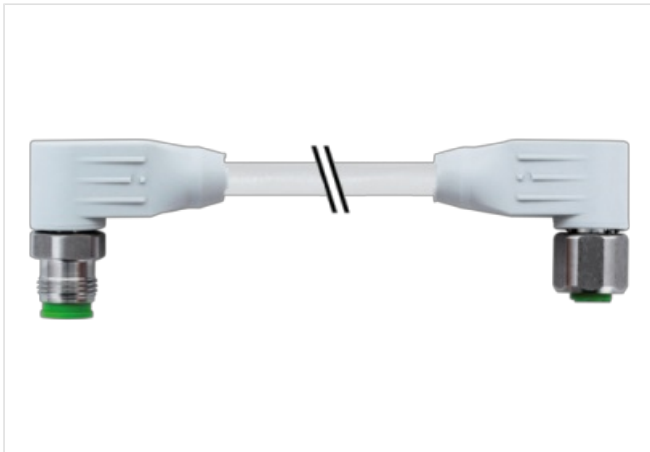
Stainless steel 1.4404 (V4A)

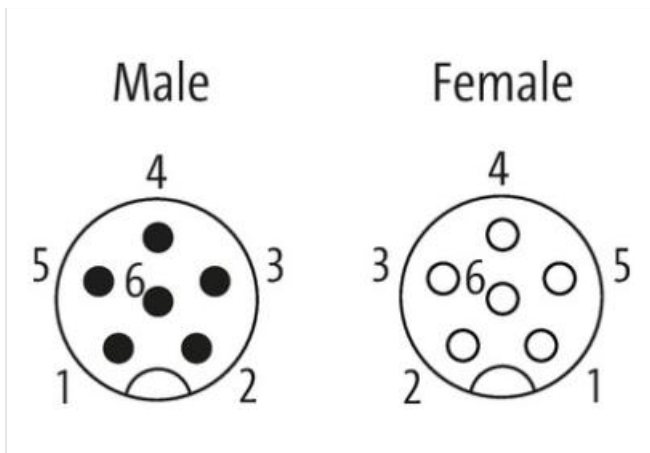
shielded

without cable sleeves

Plastic housings with good resistance against chemicals and oils.

The resistance to aggressive media should be individually tested for your application. Further details on request.

[Link to Product](#)**Illustration**



Product may differ from Image

|                                     |                   |
|-------------------------------------|-------------------|
| Cable length                        | 1 m               |
| <b>Side 1</b>                       |                   |
| Tightening torque                   | 0,6 Nm            |
| Mounting method                     | inserted, screwed |
| Coating contact                     | gold plated       |
| Family construction form            | M12               |
| Thread                              | M12 x 1           |
| Coding                              | A                 |
| Material contact                    | Copper alloy      |
| No. of poles                        | 6                 |
| Degree of protection (EN IEC 60529) | IP65, IP67, IP68  |
| <b>Side 2</b>                       |                   |
| Tightening torque                   | 0,6 Nm            |
| Mounting method                     | inserted, screwed |
| Coating contact                     | gold plated       |
| Family construction form            | M12               |
| Thread                              | M12 x 1           |
| Coding                              | A                 |
| Material contact                    | Copper alloy      |
| No. of poles                        | 6                 |
| Width across flats                  | SW14              |
| Degree of protection (EN IEC 60529) | IP65, IP67, IP68  |
| <b>Commercial data</b>              |                   |
| ECLASS-6.0                          | 27061801          |
| ECLASS-6.1                          | 27060307          |
| ECLASS-7.0                          | 27060307          |
| ECLASS-8.0                          | 27060307          |
| ECLASS-9.0                          | 27060307          |
| ECLASS-10.1                         | 27060307          |
| ECLASS-11.1                         | 27060307          |
| ECLASS-12.0                         | 27060307          |
| ETIM-5.0                            | EC001855          |
| customs tariff number               | 85444290          |
| GTIN                                | 4048879720465     |
| Packaging unit                      | 1                 |
| <b>Electrical data   Supply</b>     |                   |

|   |   |
|---|---|
| Operating voltage AC max.                       | 30 V  |
| Operating voltage DC max.                       | 30 V  |
| Current operating per contact max.              | 4 A   |
| <b>Diagnostics</b>                              |   |
| Status indication LED                           | no  |
| <b>Device protection   Electrical</b>           |   |
| Additional condition protection degree          | inserted, screwed   |
| Pollution Degree                                | 3   |
| Rated surge voltage                             | 0,8 kV  |
| Material group (IEC 60664-1)                    | I   |
| <b>Mechanical data</b>                          |   |
| Contour for corrugated hose                     | without   |
| <b>Mechanical data   Material data</b>          |   |
| Material gasket                                 | FKM   |
| Locking material                                | Stainless steel 1.4404 (V4A)  |
| <b>Mechanical data   Mounting data</b>          |   |
| Mounting method                                 | inserted, screwed, Shaking protection   |
| <b>Environmental characteristics   Climatic</b> |   |
| Operating temperature min.                      | -25 °C  |
| Operating temperature max.                      | 85 °C   |
| Additional condition temperature range          | depending on cable quality  |
| <b>Important installation notes</b>             |   |
| Note on strain relief                           | Protect the connectors by suitable measures from mechanical loads, e.g. by the usage of cable ties.   |
| Note on bending radius                          | <b>Attention:</b> Observe the permissible bending radii when laying cables, as the IP protection class can be endangered by excessive bending forces. |
| <b>Installation   Cable</b>                     |   |
| wire arrangement                                | blue, white, brown, black, (gray, pink)   |
| Cable identification                            | 522   |
| Function cable                                  | Hybrid, Signal, Data  |
| Jacket Color                                    | gray  |
| Amount stranding                                | 1   |
| Stranding                                       | 2 wires twisted   |
| Amount stranding (type 2)                       | 1   |
| Stranding (type 2)                              | 4 wires with Filler with Stranding combination twisted  |
| Cable shielding (type)                          | copper braid, tinned  |
| Cable shielding (coverage)                      | 85 %  |
| Banding   | Fleece  |
| Filler  | yes   |
| wire arrangement                                | blue, white, brown, black, (gray, pink)   |
| Cable weight                                    | 104,5 g/m   |
| Material jacket                                 | PVC   |
| Freedom from ingredients (jacket)               | lead-free, CFC-free   |
| Outer-diameter (jacket)                         | 7,9 mm  |
| Tolerance outer diameter (sheath)               | ± 5 %   |
| Material wire insulation                        | TPE-E   |
| Amount wires                                    | 4   |
| Outer diameter insulation                       | 1,5 mm  |
| Outer diameter tolerance core insulation        | ± 5 %   |
| Ingredient freeness wire insulation             | lead-free, CFC-free   |
| Conductor crosssection (wire)                   | 0,5 mm <sup>2</sup>   |
| Material conductor wire                         | Stranded copper wire, bare  |

|   |  |
|---|--|
| Material wire insulation (Data)                   | TPE-E  |
| Outer diameter wire insulation (Data)             | 1,4 mm   |
| Tolerance outer diameter wire insulation (data)   | ± 5 %  |
| Ingredient freeness wire insulation (Data)        | lead-free, CFC-free                                  |
| Amount wires (Data)                               | 2  |
| Conductor crosssection wire (Data)                | 0,25 mm <sup>2</sup>                                 |
| Material conductor wire (Data)                    | Stranded copper wire, bare                           |
| Nominal voltage AC max.                           | 500 V  |
| Current load capacity (standard)                  | to DIN VDE 0298-4                                    |
| Current load capacity min. wire                   | 4,5 A  |
| Current load capacity min. Wire (Data)            | 7,2 A  |
| Electrical resistance line constant wire          | 75 Ω/km @ 20 °C                                      |
| Electrical resistance coating wire (Data)         | 34 Ω/km @ 20 °C                                      |
| AC withstand voltage (wire - wire)                | 1,5 kV @ 60 s  |
| Electric inductivity line constant                | 0,65 mH/km   |
| Power frequency withstand voltage (wire - jacket) | 1,5 kV @ 60 s  |
| AC withstand voltage (wire - shield)              | 1,2 kV @ 60 s  |
| Isolation resistance                              | 200 MΩ × km  |
| Min. operating temperature (static)               | -40 °C   |
| Max. operating temperature (fixed)                | 90 °C  |
| Operating temperature min. (dynamic)              | -25 °C   |
| Operating temperature max. (dynamic)              | 70 °C  |
| Flame resistance                                  | IEC 60332-2-2   UL 1581 § 1100 FT2   UL 1581 § 1090  |
| chemical resistance                               | Good, application-related testing                    |
| Gasoline resistance                               | Good, application-related testing                    |
| Oil resistance                                    | DIN EN 60811-404   Good, application-related testing |
| Bending radius (fixed)                            | 5 x Outer diameter                                   |
| Bending radius (dynamic)                          | 10 x Outer diameter                                  |
| Traversing distance (C-track)                     | 5 m  |
| Travel speed (C-track)                            | 2 m/s  |