

**M12 male 0° / M12 female 0° A-cod. shielded F&B**

PVC 0.5+0.25 shielded gy 0.15m

**F&B**

The resistance to aggressive media should be individually tested for your application. Further details on request.

Further cable lengths on request.

Cube67

Male straight – female straight

M12 – M12, 6-pole

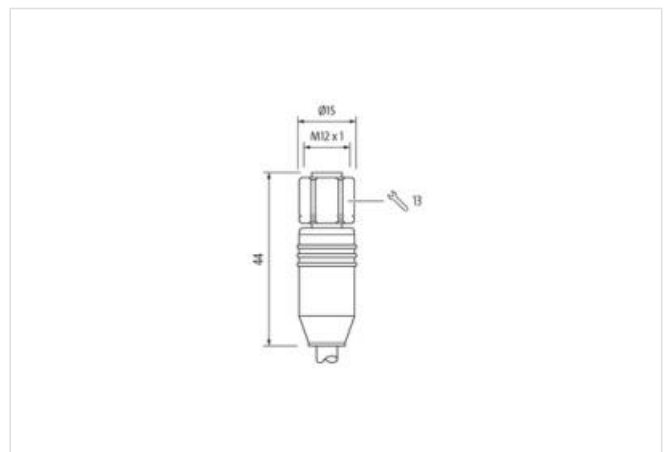
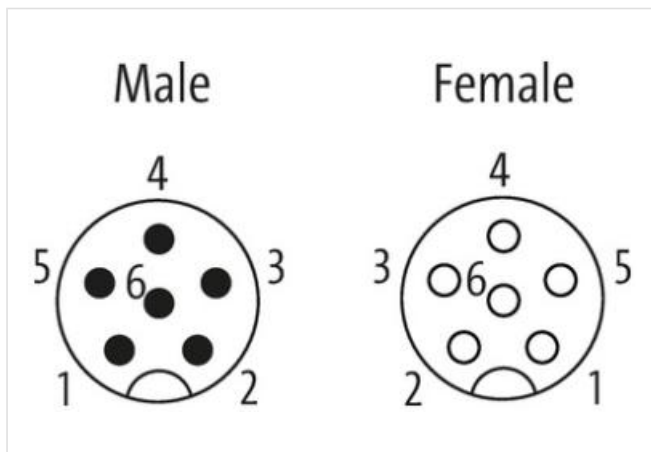
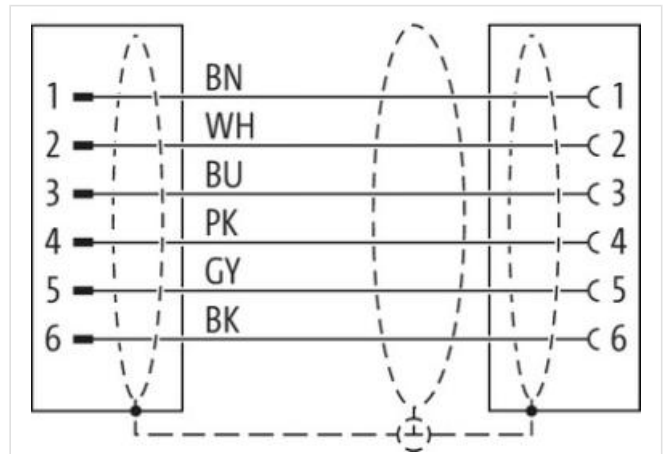
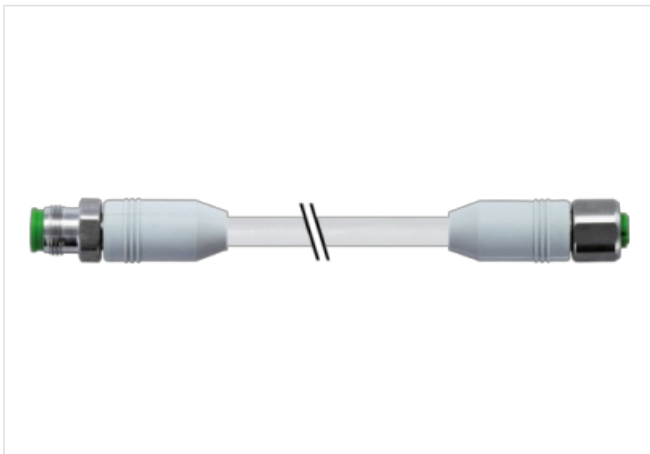
shielded

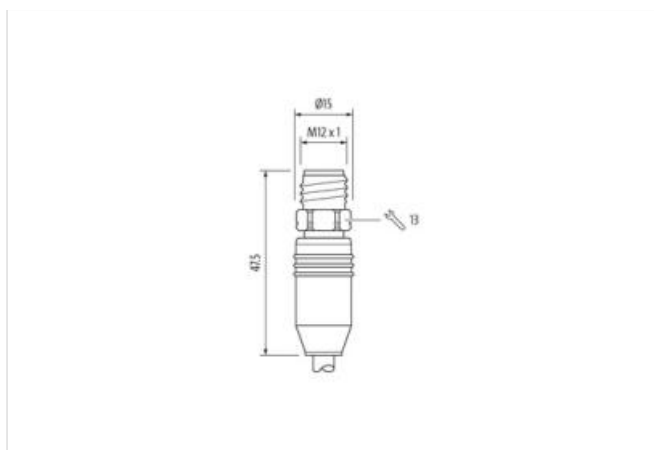
A-coded

Stainless steel 1.4404 (V4A)

Hybrid cable

Plastic housings with good resistance against chemicals and oils.

**[Link do produto](#)****Ilustração**



Produto pode diferir da imagem

Cable length 0,15 m

#### Side 1

|                                     |                   |
|-------------------------------------|-------------------|
| Tightening torque                   | 0,6 Nm            |
| Mounting method                     | inserted, screwed |
| Coating contact                     | gold plated       |
| Family construction form            | M12               |
| Thread                              | M12 x 1           |
| Coding                              | A                 |
| Material contact                    | Copper alloy      |
| No. of poles                        | 6                 |
| Degree of protection (EN IEC 60529) | IP65, IP68        |

#### Side 2

|                                     |                   |
|-------------------------------------|-------------------|
| Tightening torque                   | 0,6 Nm            |
| Mounting method                     | inserted, screwed |
| Coating contact                     | gold plated       |
| Family construction form            | M12               |
| Thread                              | M12 x 1           |
| Coding                              | A                 |
| Material contact                    | Copper alloy      |
| No. of poles                        | 6                 |
| Width across flats                  | SW14              |
| Degree of protection (EN IEC 60529) | IP65, IP68        |

#### Dados comerciais

|                          |               |
|--------------------------|---------------|
| ECLASS-6.0               | 27061801      |
| ECLASS-6.1               | 27060307      |
| ECLASS-7.0               | 27060307      |
| ECLASS-8.0               | 27060307      |
| ECLASS-9.0               | 27060307      |
| ECLASS-10.1              | 27060307      |
| ECLASS-11.1              | 27060307      |
| ECLASS-12.0              | 27060307      |
| ETIM-5.0                 | EC001855      |
| Classificação fiscal     | 85444290      |
| GTIN                     | 4048879811262 |
| Quantidade por embalagem | 1             |

#### Electrical data | Supply

|   |   |
|---|---|
| Operating voltage AC max.                       | 30 V  |
| Operating voltage DC max.                       | 30 V  |
| Current operating per contact max.              | 4 A   |
| <b>Diagnostics</b>                              |   |
| Status indication LED                           | no  |
| <b>Device protection   Electrical</b>           |   |
| Additional condition protection degree          | inserted, screwed   |
| Pollution Degree                                | 3   |
| Rated surge voltage                             | 0,8 kV  |
| Material group (IEC 60664-1)                    | I   |
| <b>Mechanical data   Material data</b>          |   |
| Material gasket                                 | FKM   |
| Material housing                                | PUR   |
| Locking material                                | Stainless steel 1.4404 (V4A)  |
| <b>Mechanical data   Mounting data</b>          |   |
| Mounting method                                 | inserted, screwed, Shaking protection   |
| <b>Environmental characteristics   Climatic</b> |   |
| Operating temperature min.                      | -25 °C  |
| Operating temperature max.                      | 85 °C   |
| Additional condition temperature range          | depending on cable quality  |
| <b>Important installation notes</b>             |   |
| Note on strain relief                           | Protect the connectors by suitable measures from mechanical loads, e.g. by the usage of cable ties.   |
| Note on bending radius                          | <b>Attention:</b> Observe the permissible bending radii when laying cables, as the IP protection class can be endangered by excessive bending forces. |
| <b>Installation   Cable</b>                     |   |
| wire arrangement                                | blue, white, brown, black, (gray, pink)   |
| Cable identification                            | 522   |
| Function cable                                  | Hybrid, Signal, Data  |
| Jacket Color                                    | gray  |
| Amount stranding                                | 1   |
| Stranding                                       | 2 wires twisted   |
| Amount stranding (type 2)                       | 1   |
| Stranding (type 2)                              | 4 wires with Filler with Stranding combination twisted  |
| Cable shielding (type)                          | copper braid, tinned  |
| Cable shielding (coverage)                      | 85 %  |
| Banding   | Fleece  |
| Filler  | yes   |
| wire arrangement                                | blue, white, brown, black, (gray, pink)   |
| Cable weight                                    | 104,5 g/m   |
| Material jacket                                 | PVC   |
| Freedom from ingredients (jacket)               | lead-free, CFC-free   |
| Outer-diameter (jacket)                         | 7,9 mm  |
| Tolerance outer diameter (sheath)               | ± 5 %   |
| Material wire insulation                        | TPE-E   |
| Amount wires                                    | 4   |
| Outer diameter insulation                       | 1,5 mm  |
| Outer diameter tolerance core insulation        | ± 5 %   |
| Ingredient freeness wire insulation             | lead-free, CFC-free   |
| Conductor crosssection (wire)                   | 0,5 mm <sup>2</sup>   |
| Material conductor wire                         | Stranded copper wire, bare  |
| Material wire insulation (Data)                 | TPE-E   |
| Outer diameter wire insulation (Data)           | 1,4 mm  |

|   |  |
|---|--|
| Tolerance outer diameter wire insulation (data)   | ± 5 %  |
| Ingredient freeness wire insulation (Data)        | lead-free, CFC-free                                  |
| Amount wires (Data)                               | 2  |
| Conductor crosssection wire (Data)                | 0,25 mm <sup>2</sup>                                 |
| Material conductor wire (Data)                    | Stranded copper wire, bare                           |
| Nominal voltage AC max.                           | 500 V  |
| Current load capacity (standard)                  | to DIN VDE 0298-4                                    |
| Current load capacity min. wire                   | 4,5 A  |
| Current load capacity min. Wire (Data)            | 7,2 A  |
| Electrical resistance line constant wire          | 75 Ω/km @ 20 °C                                      |
| Electrical resistance coating wire (Data)         | 34 Ω/km @ 20 °C                                      |
| AC withstand voltage (wire - wire)                | 1,5 kV @ 60 s  |
| Electric inductivity line constant                | 0,65 mH/km   |
| Power frequency withstand voltage (wire - jacket) | 1,5 kV @ 60 s  |
| AC withstand voltage (wire - shield)              | 1,2 kV @ 60 s  |
| Isolation resistance                              | 200 MΩ × km  |
| Min. operating temperature (static)               | -40 °C   |
| Max. operating temperature (fixed)                | 90 °C  |
| Operating temperature min. (dynamic)              | -25 °C   |
| Operating temperature max. (dynamic)              | 70 °C  |
| Flame resistance                                  | IEC 60332-2-2   UL 1581 § 1100 FT2   UL 1581 § 1090  |
| chemical resistance                               | Good, application-related testing                    |
| Gasoline resistance                               | Good, application-related testing                    |
| Oil resistance                                    | DIN EN 60811-404   Good, application-related testing |
| Bending radius (fixed)                            | 5 x Outer diameter                                   |
| Bending radius (dynamic)                          | 10 x Outer diameter                                  |
| Traversing distance (C-track)                     | 5 m  |
| Travel speed (C-track)                            | 2 m/s  |