

**M12 male 0° / M12 female 0° A-cod. F&B**

PVC 4x0.34 gy UL/CSA 7m

F&B

Male straight – female straight

M12 – M12, 4-pole

Profile gasket

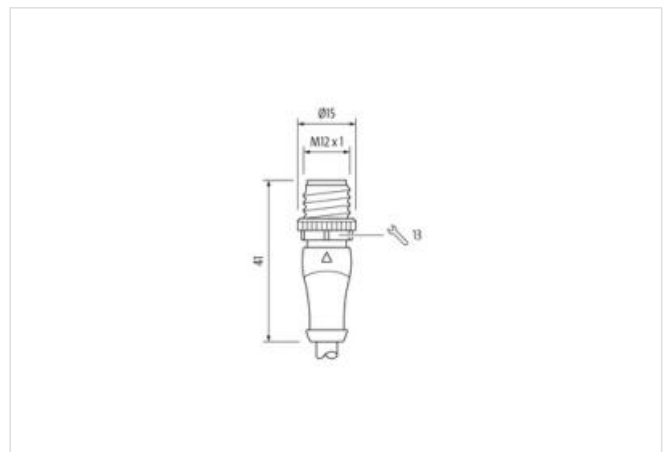
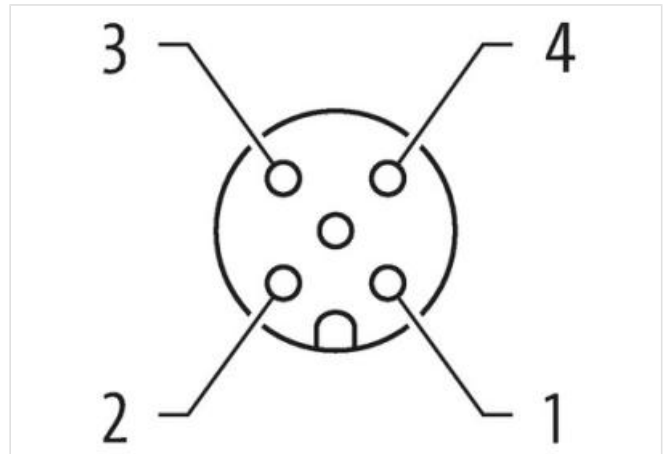
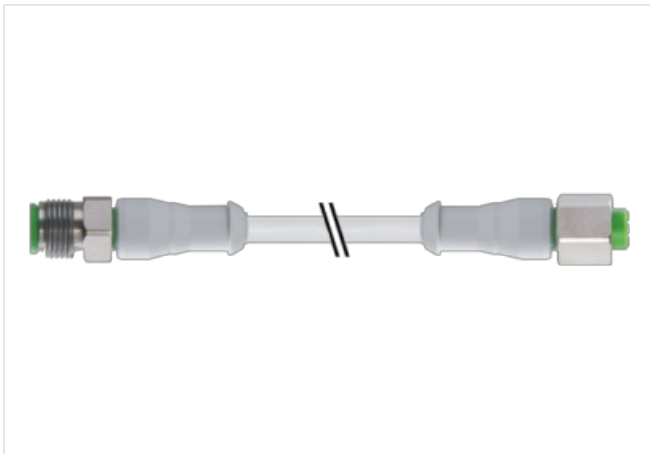
Plastic housings with good resistance against chemicals and oils.

The resistance to aggressive media should be individually tested for your application. Further details on request.

Further cable lengths on request.

**제품 링크**

**일러스트**





실제 제품은 이미지와 다를 수 있습니다.



Cable length 7 m

**Side 1**

Tightening torque 0,6 Nm  
 Family construction form M12  
 Thread M12 x 1  
 Degree of protection (EN IEC 60529) IP65, IP68

**Side 2**

Tightening torque 0,6 Nm  
 Family construction form M12  
 Thread M12 x 1  
 Degree of protection (EN IEC 60529) IP65, IP68

**제품자료**

|             |               |
|-------------|---------------|
| ECLASS-6.0  | 27279218      |
| ECLASS-6.1  | 27279218      |
| ECLASS-7.0  | 27279218      |
| ECLASS-8.0  | 27279218      |
| ECLASS-9.0  | 27060311      |
| ECLASS-10.1 | 27060311      |
| ECLASS-11.1 | 27060311      |
| ECLASS-12.0 | 27060311      |
| ETIM-5.0    | EC001855      |
| GTIN        | 4048879760430 |
| 세번부호        | 85444290      |
| 포장단위        | 1             |

**Electrical data | Supply**

Operating voltage AC max. 250 V  
 Operating voltage DC max. 250 V  
 Current operating per contact max. 4 A

**Device protection | Electrical**

Additional condition protection degree inserted, screwed  
 Pollution Degree 3

|   |   |
|---|---|
| Rated surge voltage                               | 2,5 kV  |
| Material group (IEC 60664-1)                      | I   |
| <b>Mechanical data   Material data</b>            |   |
| Locking material                                  | Stainless steel 1.4404 (V4A)  |
| <b>Mechanical data   Mounting data</b>            |   |
| Mounting method                                   | inserted, screwed, Shaking protection   |
| <b>Environmental characteristics   Climatic</b>   |   |
| Operating temperature min.                        | -25 °C  |
| Operating temperature max.                        | 85 °C   |
| Additional condition temperature range            | depending on cable quality  |
| <b>Important installation notes</b>               |   |
| Note on strain relief                             | Protect the connectors by suitable measures from mechanical loads, e.g. by the usage of cable ties.   |
| Note on bending radius                            | <b>Attention:</b> Observe the permissible bending radii when laying cables, as the IP protection class can be endangered by excessive bending forces. |
| <b>Installation   Cable</b>                       |   |
| wire arrangement                                  | brown, black, blue, white   |
| Cable identification                              | 214   |
| Cable Type  | 1   |
| Jacket Color                                      | gray  |
| Type of Certificate                               | cURus   |
| Amount stranding                                  | 1   |
| Stranding   | 4 wires twisted   |
| wire arrangement                                  | brown, black, blue, white   |
| Cable weight                                      | 40,7 g/m  |
| Material jacket                                   | PVC   |
| Shore hardness jacket                             | 85 ± 5 Shore A  |
| Freedom from ingredients (jacket)                 | lead-free, cadmium-free, CFC-free, silicone-free  |
| Outer-diameter (jacket)                           | 5 mm  |
| Tolerance outer diameter (sheath)                 | ± 5 %   |
| Material wire insulation                          | PVC   |
| Amount wires                                      | 4   |
| Outer diameter insulation                         | 1,25 mm   |
| Outer diameter tolerance core insulation          | ± 5 %   |
| Shore hardness wire insulation                    | 45 ± 5 Shore D  |
| Material properties wire insulation               | good machinability  |
| Ingredient freeness wire insulation               | lead-free, cadmium-free, CFC-free, silicone-free  |
| Amount strands (wire)                             | 19  |
| Diameter of single wires                          | 0,15 mm   |
| Conductor crosssection (wire)                     | 0,34 mm <sup>2</sup>  |
| Material conductor wire                           | Stranded copper wire, bare  |
| Conductor type (wire)                             | Strand class 5  |
| Nominal voltage AC max.                           | 300 V   |
| Current load capacity (standard)                  | to DIN VDE 0298-4   |
| Current load capacity min. wire                   | 4,8 A   |
| Electrical resistance line constant wire          | 57 Ω/km @ 20 °C   |
| AC withstand voltage (wire - wire)                | 2 kV @ 60 s   |
| Power frequency withstand voltage (wire - jacket) | 2 kV @ 60 s   |
| Min. operating temperature (static)               | -30 °C  |
| Max. operating temperature (fixed)                | 80 °C   |
| Operating temperature min. (dynamic)              | -5 °C   |
| Operating temperature max. (dynamic)              | 80 °C   |
| Flame resistance                                  | UL 1581 § 1100 FT2   IEC 60332-2-2   UL 1581 § 1090   |

|                          |  |
|--------------------------|--|
| chemical resistance      | Good, application-related testing                    |
| Gasoline resistance      | Good, application-related testing                    |
| Oil resistance           | Good, application-related testing   DIN EN 60811-404 |
| Bending radius (fixed)   | 5 x Outer diameter                                   |
| Bending radius (dynamic) | 10 x Outer diameter                                  |