

**M23 female 0° 17-pole with cable**

PUR (3x(2x0,14D)+2x0,5+4x0.14+4x0,22)C 10m

Signal cable for SINAMICS S120 and motors with connection M23

Female straight

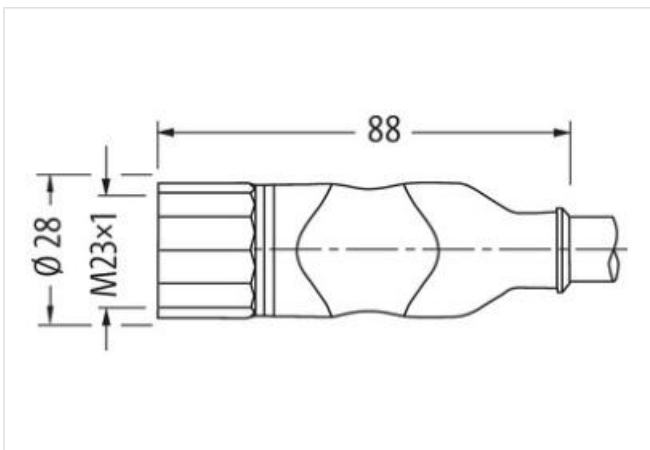
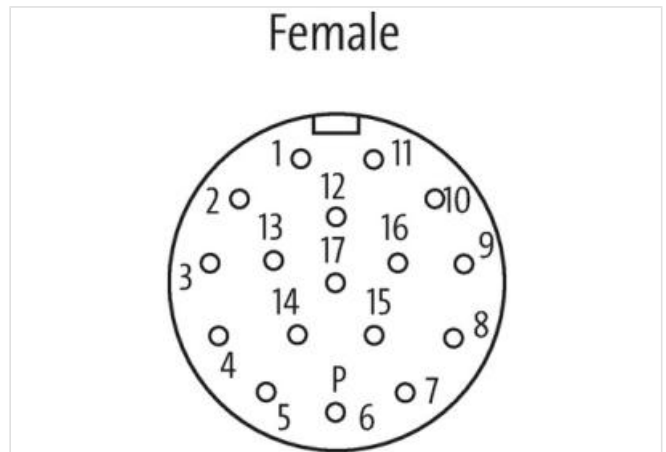
M23, 17-pole

with cable sleeves

Further cable lengths on request.

Plastic housings with good resistance against chemicals and oils.

The resistance to aggressive media should be individually tested for your application. Further details on request.

**[Link do produto](#)****Ilustração**

Produto pode diferir da imagem

|              |      |
|--------------|------|
| Cable length | 10 m |
|--------------|------|

**Side 1**

|                   |      |
|-------------------|------|
| Tightening torque | 2 Nm |
|-------------------|------|

|                          |     |
|--------------------------|-----|
| Family construction form | M23 |
|--------------------------|-----|

|        |         |
|--------|---------|
| Thread | M23 x 1 |
|--------|---------|

|                    |      |
|--------------------|------|
| Width across flats | SW27 |
|--------------------|------|

**Dados comerciais**

As informações contidas nesta folha de dados foram elaboradas com o máximo cuidado.  
A falta de integridade, exatidão e atualização das informações é considerada negligência grave. versão: 26/06/2024

|                          |               |
|--------------------------|---------------|
| ECLASS-6.0               | 27279218      |
| ECLASS-6.1               | 27060307      |
| ECLASS-7.0               | 27060307      |
| ECLASS-8.0               | 27060307      |
| ECLASS-9.0               | 27060307      |
| ECLASS-10.1              | 27060307      |
| ECLASS-11.1              | 27060307      |
| ECLASS-12.0              | 27060307      |
| ETIM-5.0                 | EC001855      |
| Classificação fiscal     | 85444290      |
| GTIN                     | 4048879486583 |
| Quantidade por embalagem | 1             |

**Electrical data | Supply**

|                           |      |
|---------------------------|------|
| Operating voltage AC max. | 30 V |
| Operating voltage DC max. | 30 V |

**Device protection | Electrical**

|  |                   |
|--|-------------------|
| Degree of protection (EN IEC 60529)    | IP65, IP67        |
| Additional condition protection degree | inserted, screwed |

**Mechanical data | Material data**

|                  |               |
|------------------|---------------|
| Coating locking  | nickel plated |
| Material housing | PUR           |
| Locking material | Brass         |

**Mechanical data | Mounting data**

|                 |                                       |
|-----------------|---------------------------------------|
| Mounting method | inserted, screwed, Shaking protection |
|-----------------|---------------------------------------|

**Environmental characteristics | Climatic**

|  |                            |
|--|----------------------------|
| Operating temperature min.             | -25 °C                     |
| Operating temperature max.             | 85 °C                      |
| Additional condition temperature range | depending on cable quality |

**Important installation notes**

|                        |   |
|------------------------|---|
| Note on strain relief  | Protect the connectors by suitable measures from mechanical loads, e.g. by the usage of cable ties.   |
| Note on bending radius | <b>Attention:</b> Observe the permissible bending radii when laying cables, as the IP protection class can be endangered by excessive bending forces. |

**Installation | Cable**

|                                   |   |
|-----------------------------------|---|
| wire arrangement                  | brown, black, blue, white               |
| Cable identification              | 811                                     |
| Function cable                    | Hybrid                                  |
| Jacket Color                      | black                                   |
| Stranding cable total             | 6 Stranded joints around Filler twisted |
| Amount stranding                  | 2                                       |
| Stranding                         | 4 wires twisted                         |
| Amount stranding (type 2)         | 1                                       |
| Stranding (type 2)                | 2 wires twisted                         |
| Amount stranding (type 3)         | 3                                       |
| Stranding (type 3)                | 2 wires with Filler twisted             |
| Cable shielding (type)            | copper braiding, bare                   |
| Banding                           | Foil                                    |
| Filler                            | yes                                     |
| wire arrangement                  | brown, black, blue, white               |
| Material jacket                   | PUR                                     |
| Freedom from ingredients (jacket) | lead-free, CFC-free, halogen-free       |
| Outer-diameter (jacket)           | 9,5 mm                                  |

|   |  |
|---|--|
| Tolerance outer diameter (sheath)         | ± 5 %  |
| Material wire insulation                  | PP   |
| Amount wires                              | 10   |
| Outer diameter insulation                 | 0,85 mm  |
| Shore hardness wire insulation            | 65 ± 5 Shore D                                       |
| Amount strands (wire)                     | 7  |
| Diameter of single wires                  | 0,16 mm  |
| Conductor crosssection (wire)             | 0,14 mm <sup>2</sup>                                 |
| Material conductor wire                   | Stranded copper wire, bare                           |
| Outer diameter wire insulation (Data)     | 2 mm   |
| Amount wires (Data)                       | 4  |
| Amount strands wire (Data)                | 7  |
| Diameter of single wires (Data)           | 0,127 mm   |
| Conductor crosssection wire (Data)        | 0,22 mm <sup>2</sup>                                 |
| Material conductor wire (Data)            | copper stranded wire, tinned                         |
| Nominal voltage AC max.                   | 300 V  |
| Current load capacity (standard)          | to DIN VDE 0298-4                                    |
| Electrical resistance line constant wire  | 148,9 Ω/km @ 20 °C                                   |
| Electrical resistance coating wire (Data) | 93,3 Ω/km @ 20 °C                                    |
| Operating temperature min. (dynamic)      | -25 °C   |
| Operating temperature max. (dynamic)      | 80 °C  |
| UV resistance                             | DIN EN ISO 4892-2 A                                  |
| Flame resistance                          | IEC 60332-2-2   UL 1581 § 1100 FT2   UL 1581 § 1090  |
| chemical resistance                       | Good, application-related testing                    |
| Gasoline resistance                       | Good, application-related testing                    |
| Oil resistance                            | DIN EN 60811-404   Good, application-related testing |
| Bending radius (installation)             | x Outer diameter                                     |
| Bending radius (fixed)                    | x Outer diameter                                     |
| Bending radius (dynamic)                  | 6 x Outer diameter                                   |
| No. of bending cycles (C-track)           | 2 Mio.   |