

**Drive Cliq IP20 / M12 female 0° shielded 8p.**

Spezifikation: 6FX8002-2DC30-1AG5

Ethernet CAT5

Female straight – male straight

DRIVE-CLiQ IP20

M12, 8-pole

partly used

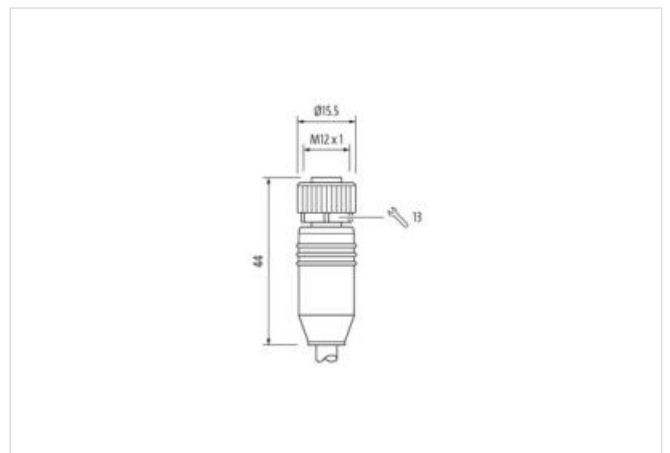
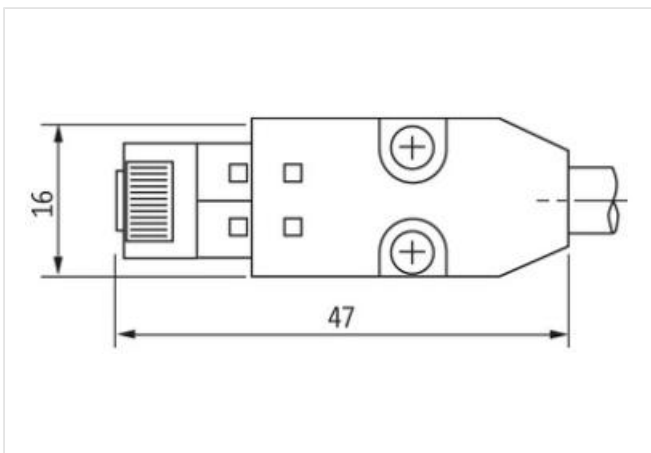
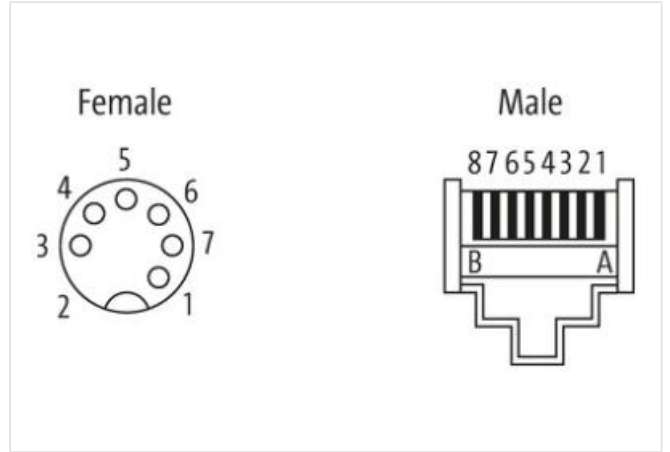
shielded

without cable sleeves

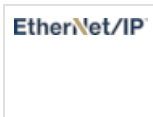
Further cable lengths on request.

The resistance to aggressive media should be individually tested for your application. Further details on request.

Plastic housings with good resistance against chemicals and oils.

**Ürün Linki****örnekleme**

Ürün Image farklı olabilir



Cable length 6,5 m

**Side 1**

Tightening torque 0,6 Nm  
Family construction form M12  
Thread M12 x 1  
Coding A  
Width across flats SW13  
Degree of protection (EN IEC 60529) IP67

**Side 2**

Family construction form DRIVE-CLiQ  
Degree of protection (EN IEC 60529) IP20

**Ticari bilgiler**

ECLASS-6.0 27061801  
ECLASS-6.1 27060307  
ECLASS-7.0 27060307  
ECLASS-8.0 27060307  
ECLASS-9.0 27060307  
ECLASS-10.1 27060307  
ECLASS-11.1 27060307  
ECLASS-12.0 27060307  
ETIM-5.0 EC000830  
GTIN 4048879614917  
Gümrük tarife no (gtip) 85444290  
Paket miktarı 1

**Electrical data | Supply**

Operating voltage AC max. 30 V  
Operating voltage DC max. 30 V  
Current operating per contact max. 1,76 A

**Industrial communication**

Transfer parameters CAT5, Class D (ISO/IEC 11801:2002), (EN 50173-1)  
Data transmission rate max. 100 MBit/s

**Industrial communication | Ethernet functionality**

duplex Full duplex

**Device protection | Electrical**

Pollution Degree 3  
Rated surge voltage 0,5 kV  
Material group (IEC 60664-1) II

**Mechanical data**

Contour for corrugated hose without

**Mechanical data | Material data**

Coating locking Nicked  
Material housing PUR  
Locking material Zinc die-casting

**Mechanical data | Mounting data**

Mounting method inserted, screwed, Shaking protection

**Environmental characteristics | Climatic**

Operating temperature min. -20 °C  
Operating temperature max. 80 °C

Additional condition temperature range depending on cable quality

**Important installation notes**

Bu veri sayfasındaki bilgiler en büyük özenle hazırlandı.  
Bilgilerin doğruluğu bütünlüğü ve güncelliği konusunda yükümlülük ihmalî sınırlıdır. Sürüm: 2024-06-26

Note on strain relief	Protect the connectors by suitable measures from mechanical loads, e.g. by the usage of cable ties.
Note on bending radius	<b>Attention:</b> Observe the permissible bending radii when laying cables, as the IP protection class can be endangered by excessive bending forces.
<b>Installation   Cable</b>	
wire arrangement	green, yellow, pink, blue, red, black
Cable identification	880
Jacket Color	green
Amount stranding	2
Stranding	2 wires twisted
Stranding (type 2)	2 wires around Stranding combination twisted
Cable shielding (type)	copper braiding, bare
Cable shielding (coverage)	85 %
wire arrangement	green, yellow, pink, blue, red, black
Cable weight	75,9 g/m
Material jacket	PUR
Outer-diameter (jacket)	6,9 mm
Tolerance outer diameter (sheath)	± 5 %
Material wire insulation	Polyolefin
Amount wires	4
Conductor crosssection (wire)	0,2 mm <sup>2</sup>
Material wire insulation (Data)	Polyolefin
Amount wires (Data)	2
Conductor crosssection wire (Data)	0,38 mm <sup>2</sup>
Min. operating temperature (static)	-20 °C
Max. operating temperature (fixed)	80 °C
Operating temperature min. (dynamic)	-20 °C
Operating temperature max. (dynamic)	60 °C
Flame resistance	UL 1581 § 1090   UL 1581 § 1100 FT2   IEC 60332-2-2
chemical resistance	Good, application-related testing
Gasoline resistance	Good, application-related testing
Oil resistance	Good, application-related testing   DIN EN 60811-404
Bending radius (installation)	x Outer diameter
Bending radius (fixed)	x Outer diameter
Bending radius (dynamic)	10 x Outer diameter
No. of bending cycles (C-track)	5 Mio.
Torsion stress	± 30 °/m