

Drive Cliq IP20 / M12 female 0° shielded 8p.

Specification: M6FX8002-2DC30-1AC6

Ethernet CAT5

Female straight – male straight

DRIVE-CLiQ IP20

M12, 8-pole

partly used

shielded

without cable sleeves

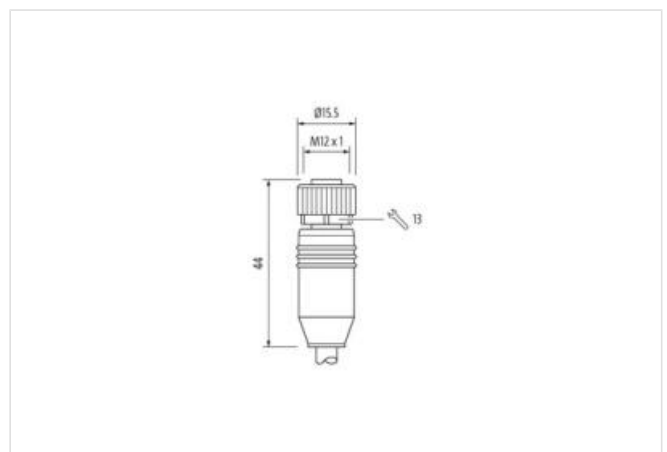
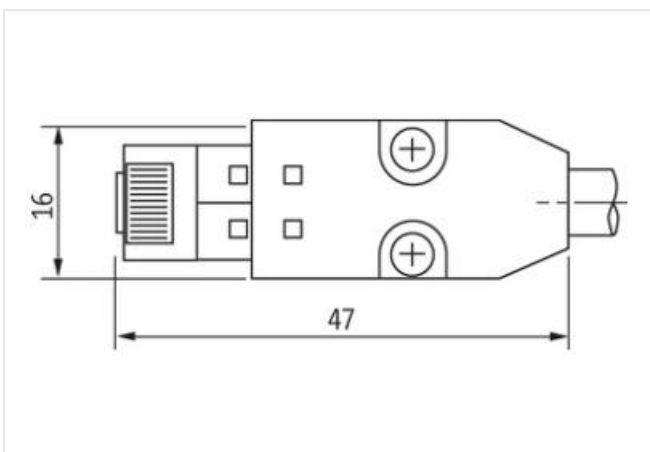
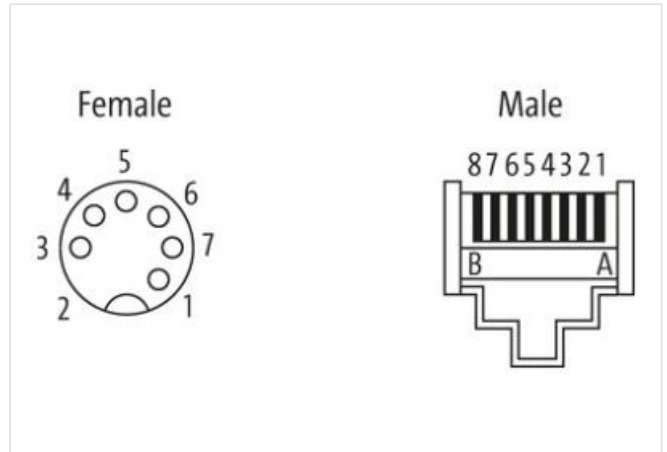
Further cable lengths on request.

The resistance to aggressive media should be individually tested for your application. Further details on request.

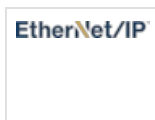
Plastic housings with good resistance against chemicals and oils.

제품 링크

일러스트



실제 제품은 이미지와 다를 수 있습니다.



Cable length 2,6 m

Side 1

Tightening torque 0,6 Nm
 Family construction form M12
 Thread M12 x 1
 Coding A
 Width across flats SW13
 Degree of protection (EN IEC 60529) IP67

Side 2

Family construction form DRIVE-CLiQ
 Degree of protection (EN IEC 60529) IP20

제품자료

ECLASS-6.0 27061801
 ECLASS-6.1 27060307
 ECLASS-7.0 27060307
 ECLASS-8.0 27060307
 ECLASS-9.0 27060307
 ECLASS-10.1 27060307
 ECLASS-11.1 27060307
 ECLASS-12.0 27060307
 ETIM-5.0 EC001855
 GTIN 4048879843836
 세번부호 85444290
 포장단위 1

Electrical data | Supply

Operating voltage AC max. 30 V
 Operating voltage DC max. 30 V
 Current operating per contact max. 1,76 A

Industrial communication

Transfer parameters CAT5, Class D (ISO/IEC 11801:2002), (EN 50173-1)
 Data transmission rate max. 100 MBit/s

Industrial communication | Ethernet functionality

duplex Full duplex

Device protection | Electrical

Pollution Degree 3
 Rated surge voltage 0,5 kV
 Material group (IEC 60664-1) II

Mechanical data

Contour for corrugated hose without

Mechanical data | Material data

Coating locking Nicked
 Material housing PUR
 Locking material Zinc die-casting

Mechanical data | Mounting data

Mounting method inserted, screwed, Shaking protection

Environmental characteristics | Climatic

Operating temperature min. -20 °C
 Operating temperature max. 80 °C
 Additional condition temperature range depending on cable quality

Important installation notes

이 데이터 시트에 포함된 정보는 최대한의 주의로 작성되었습니다.
 2024-06-26

| | |
|--------------------------------------|---|
| Note on strain relief | Protect the connectors by suitable measures from mechanical loads, e.g. by the usage of cable ties. |
| Note on bending radius | Attention: Observe the permissible bending radii when laying cables, as the IP protection class can be endangered by excessive bending forces. |
| Installation Cable | |
| wire arrangement | green, yellow, pink, blue, red, black |
| Cable identification | 880 |
| Jacket Color | green |
| Amount stranding | 2 |
| Stranding | 2 wires twisted |
| Stranding (type 2) | 2 wires around Stranding combination twisted |
| Cable shielding (type) | copper braiding, bare |
| Cable shielding (coverage) | 85 % |
| wire arrangement | green, yellow, pink, blue, red, black |
| Cable weight | 75,9 g/m |
| Material jacket | PUR |
| Outer-diameter (jacket) | 6,9 mm |
| Tolerance outer diameter (sheath) | ± 5 % |
| Material wire insulation | Polyolefin |
| Amount wires | 4 |
| Conductor crosssection (wire) | 0,2 mm ² |
| Material wire insulation (Data) | Polyolefin |
| Amount wires (Data) | 2 |
| Conductor crosssection wire (Data) | 0,38 mm ² |
| Min. operating temperature (static) | -20 °C |
| Max. operating temperature (fixed) | 80 °C |
| Operating temperature min. (dynamic) | -20 °C |
| Operating temperature max. (dynamic) | 60 °C |
| Flame resistance | UL 1581 § 1090 UL 1581 § 1100 FT2 IEC 60332-2-2 |
| chemical resistance | Good, application-related testing |
| Gasoline resistance | Good, application-related testing |
| Oil resistance | Good, application-related testing DIN EN 60811-404 |
| Bending radius (installation) | x Outer diameter |
| Bending radius (fixed) | x Outer diameter |
| Bending radius (dynamic) | 10 x Outer diameter |
| No. of bending cycles (C-track) | 5 Mio. |
| Torsion stress | ± 30 °/m |