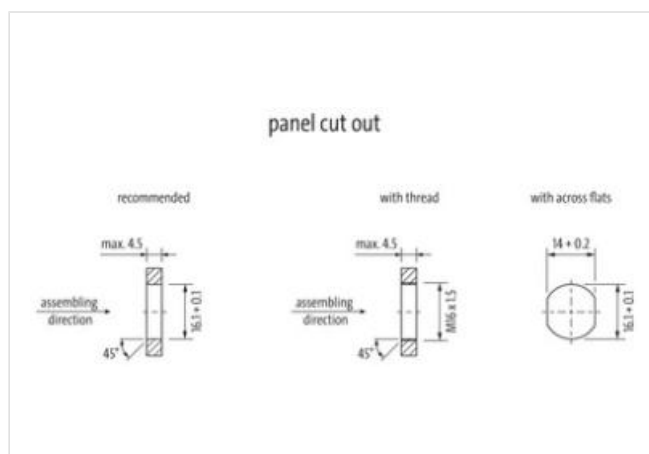
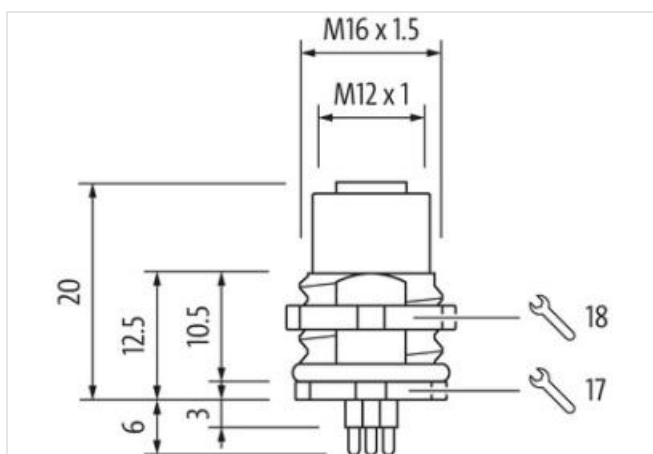
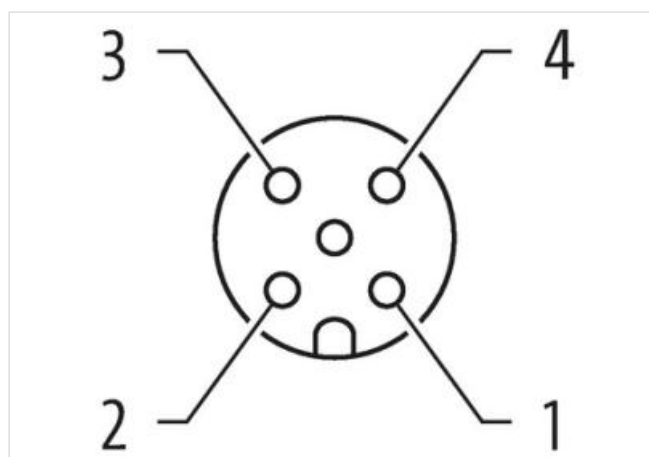
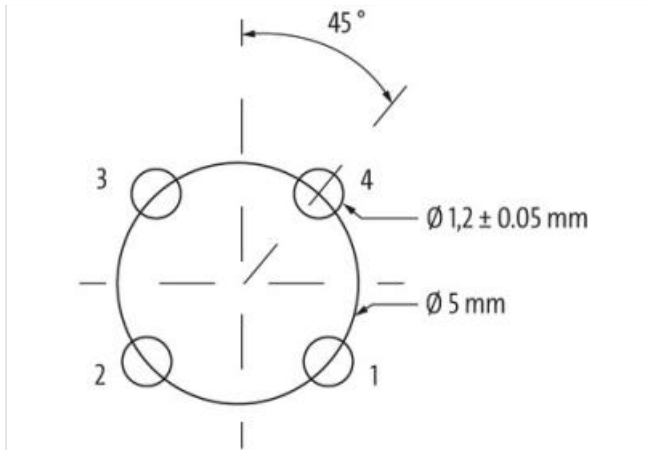


**M12 female receptacle 0° A-cod. rear**

4-pol., PCB pin

PCB connectors  
 Female straight  
 M12, 4-pole  
 A-coded  
 THT-solder connection  
 Rear mounting

**[Link do produto](#)****Ilustração**



Produto pode diferir da imagem



#### Side 1

Coating contact	gold plated
Family construction form	M12
Coding	A
Material contact	Copper alloy
No. of poles	4

#### Dados comerciais

ECLASS-6.0	27279220
ECLASS-6.1	27279220
ECLASS-7.0	27440103
ECLASS-8.0	27440103
ECLASS-9.0	27440109
ECLASS-10.1	27440109
ECLASS-11.1	27440109
ECLASS-12.0	27440109
ETIM-5.0	EC001855
Classificação fiscal	85366990
GTIN	4048879914901
Quantidade por embalagem	10

#### Electrical data | Supply

Operating voltage AC	250 V
Operating voltage DC	250 V
Current operating per contact max.	4 A

#### Installation | Connection

Connection information	THT-solder connection
Tightening torque	0,6 Nm
Mounting set	M12 x 1
Width across flats	SW17

#### Device protection | Electrical

Degree of protection (EN IEC 60529)	IP67
Additional condition protection degree	inserted, screwed
Pollution Degree	3

Insulation resistance min. 100 MΩ

**Mechanical data | Material data**

Coating locking nickel plated

Material housing Copper alloy

Material contact carrier PA66

Locking material Copper alloy

**Mechanical data | Mounting data**

Mounting method inserted, screwed, Shaking protection

**Environmental characteristics | Climatic**

Operating temperature min. -40 °C

Operating temperature max. 85 °C

**Important installation notes**

Note on strain relief Protect the connectors by suitable measures from mechanical loads, e.g. by the usage of cable ties.

Note on bending radius **Attention:** Observe the permissible bending radii when laying cables, as the IP protection class can be endangered by excessive bending forces.