

MQ15-X-Power female 270° shielded with cable

PUR 4x2,5+2x1,5 shielded or UL/CSA+drag ch. 2m

MQ15, 6-pole

Female angled, contact carrier 270° turned shielded

without cable sleeves

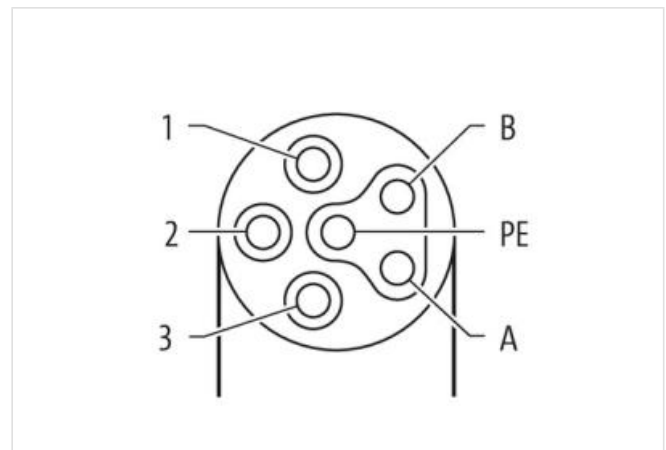
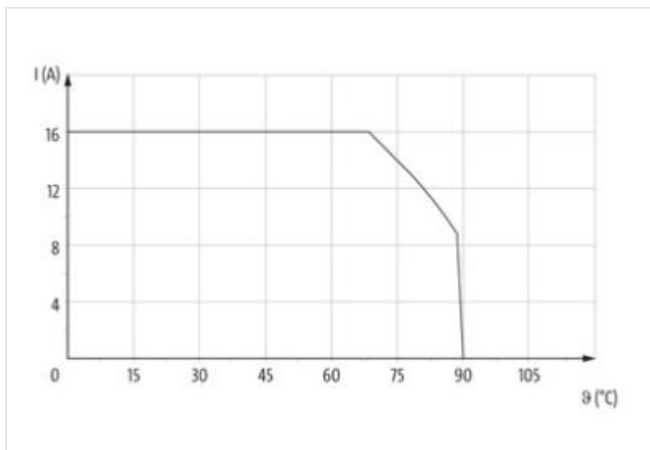
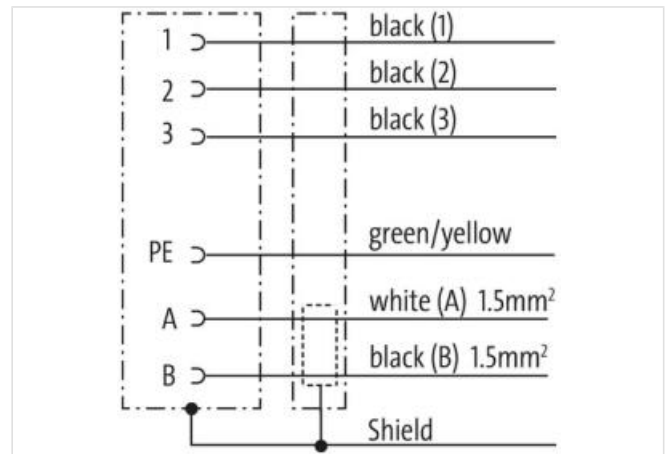
Plastic housings with good resistance against chemicals and oils.

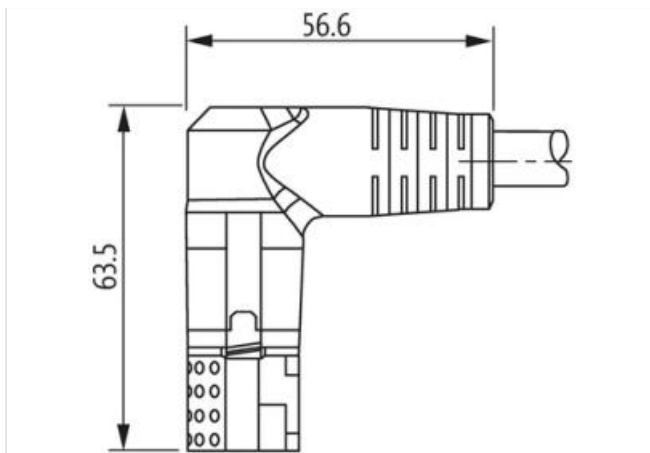
The resistance to aggressive media should be individually tested for your application. Further details on request.

Further cable lengths on request.

Link to Product

Illustration





Product may differ from Image



| | |
|--------------|-----|
| Cable length | 2 m |
|--------------|-----|

Side 1

| | |
|--------------------------|-------------------|
| Mounting method | inserted, screwed |
| Coating contact | silver-plated |
| Family construction form | MQ15 |
| Material contact | Copper alloy |
| No. of poles | 6 |

Side 2

| | |
|---------------------------|-------|
| Stripping length (jacket) | 30 mm |
|---------------------------|-------|

取引条件

| | |
|----------------|---------------|
| ECLASS-6.0 | 27279221 |
| ECLASS-6.1 | 27279218 |
| ECLASS-7.0 | 27279218 |
| ECLASS-8.0 | 27279218 |
| ECLASS-9.0 | 27060327 |
| ECLASS-10.1 | 27060311 |
| ECLASS-11.1 | 27060311 |
| ECLASS-12.0 | 27060327 |
| ETIM-5.0 | EC001576 |
| GTIN | 4048879701778 |
| HSコード | 85444290 |
| Packaging unit | 1 |

Electrical data | Supply

| | |
|--|-------|
| Operating voltage AC per power contact max. | 600 V |
| Operating voltage AC per signal contact max. | 63 V |
| Operating voltage DC per signal contact max. | 63 V |
| Operating current per power contact max. | 16 A |
| Operating current per signal contact max. | 10 A |

Diagnostics

| | |
|-----------------------|----|
| Status indication LED | no |
|-----------------------|----|

Installation | Connection

このデータシートに含まれる情報は最大限の注意を払って作成されました。

Liability for the correctness completeness and topicality of the information is restricted to gross negligence. Version: 2024-06-26

| | |
|---|---|
| Stripping length (jacket) | 30 mm |
| Mating cycles min. | 500 |
| Installation Pin assignment | |
| Configuration | fully used |
| Device protection Electrical | |
| Degree of protection (EN IEC 60529) | IP67 |
| Additional condition protection degree | inserted, screwed |
| Pollution Degree | 3 |
| Rated surge voltage | 4 kV |
| Material group (IEC 60664-1) | I |
| Mechanical data Material data | |
| Combustibility class housing (UL94) | HB |
| Material housing | Plastic |
| Material contact carrier | PA |
| Mechanical data Mounting data | |
| Looking techniques | bayonet-locking |
| Environmental characteristics Climatic | |
| Operating temperature min. | -25 °C |
| Operating temperature max. | 80 °C |
| Additional condition temperature range | depending on cable quality |
| Important installation notes | |
| Note on strain relief | Protect the connectors by suitable measures from mechanical loads, e.g. by the usage of cable ties. |
| Note on bending radius | Attention: Observe the permissible bending radii when laying cables, as the IP protection class can be endangered by excessive bending forces. |
| Installation Cable | |
| wire arrangement | (black 1, black 2, black 3), (green-yellow, white, black) |
| Cable identification | P11 |
| Jacket Color | orange |
| Cable shielding (type) | copper braiding, bare |
| Cable shielding (coverage) | 80 % |
| wire arrangement | (black 1, black 2, black 3), (green-yellow, white, black) |
| Material jacket | PUR |
| Outer-diameter (jacket) | 12,8 mm |
| Tolerance outer diameter (sheath) | ± 5 % |
| Material wire insulation | TPE |
| Amount wires | 4 |
| Conductor crosssection (wire) | 2,5 mm ² |
| Material conductor wire | Stranded copper wire, bare |
| Conductor type (wire) | Strand class 5 |
| Material wire insulation (Data) | TPE |
| Amount wires (Data) | 2 |
| Conductor crosssection wire (Data) | 1,5 mm ² |
| Material conductor wire (Data) | Stranded copper wire, bare |
| Wire conductor type (Data) | Strand class 5 |
| Nominal voltage AC max. | 1000 V |
| Electrical resistance line constant wire | 8,5 Ω/km @ 20 °C |
| Electrical resistance coating wire (Data) | 14 Ω/km @ 20 °C |
| AC withstand voltage (wire - wire) | 4 kV |
| Power frequency withstand voltage (wire - jacket) | 4 kV |
| Min. operating temperature (static) | -25 °C |
| Max. operating temperature (fixed) | 80 °C |

このデータシートに含まれる情報は最大限の注意を払って作成されました。

Liability for the correctness completeness and topicality of the information is restricted to gross negligence. Version: 2024-06-26

| | |
|--------------------------------------|--|
| Operating temperature min. (dynamic) | -20 °C |
| Operating temperature max. (dynamic) | 80 °C |
| Flame resistance | UL 1581 § 1090 UL 1581 § 1100 FT2 IEC 60332-2-2 |
| chemical resistance | Good, application-related testing |
| Gasoline resistance | Good, application-related testing |
| Oil resistance | DIN EN 60811-404 Good, application-related testing |
| Bending radius (fixed) | 5 x Outer diameter |
| Bending radius (dynamic) | 10 x Outer diameter |
| No. of bending cycles (C-track) | 5 Mio. |
| Travel speed (C-track) | 3 m/s |
| Torsion stress | ± 15 °/m |