

**MQ15 female 270° with cable 600V AC type 3**

PVC 4x1.5 bk UL/CSA 2m

MQ15, 4-pole

Female 270°

with cable sleeves

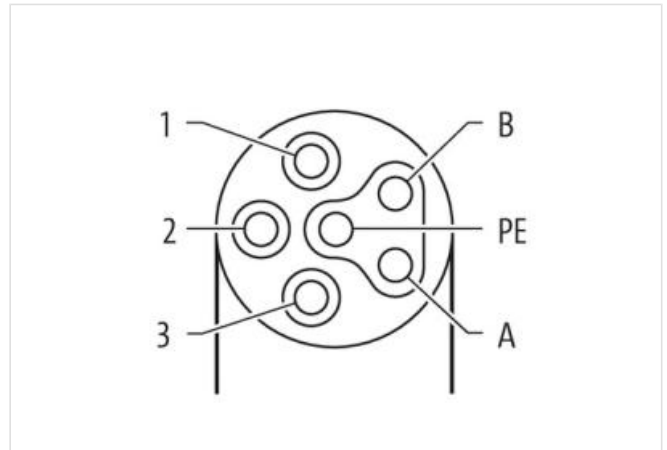
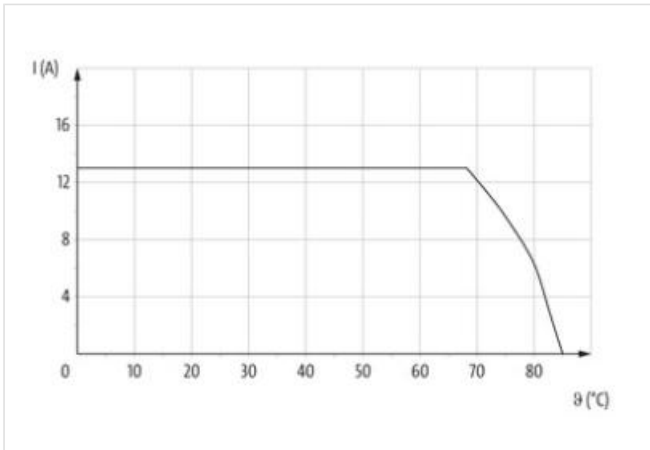
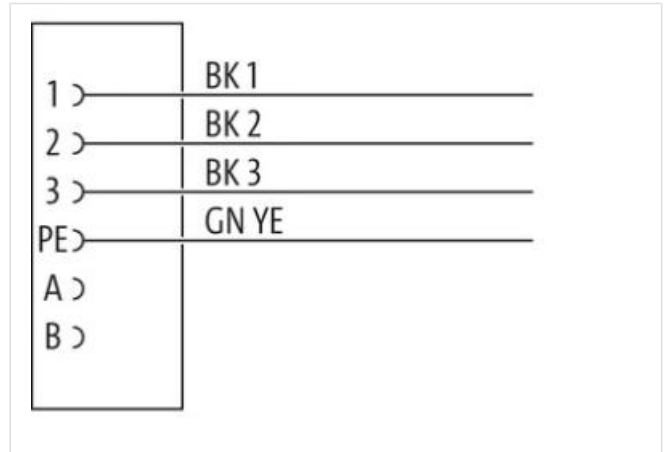
Plastic housings with good resistance against chemicals and oils.

The resistance to aggressive media should be individually tested for your application. Further details on request.

Further cable lengths on request.

**제품 링크**

**일러스트**





실제 제품은 이미지와 다를 수 있습니다.



Cable length 2 m

**Side 1**

Mounting method	inserted, locked
Coating contact	silver-plated
Family construction form	MQ15
suitable for corrugated tube (internal Ø)	18 mm
Cable outlet	angled
Coding	Type 3
Material contact	Copper alloy
No. of poles	4
Degree of protection (EN IEC 60529)	IP65, IP67

**Side 2**

Stripping length (jacket) 100 mm

**제품자료**

ECLASS-6.0	27279218
ECLASS-6.1	27279218
ECLASS-7.0	27279218
ECLASS-8.0	27279218
ECLASS-9.0	27060327
ECLASS-10.1	27060311
ECLASS-11.1	27060311
ECLASS-12.0	27060327
ETIM-5.0	EC001855
GTIN	4065909021965
세번부호	85444290
포장단위	1

**Electrical data | Supply**

Operating voltage AC max.	600 V
Current operating per contact max.	13 A

**Diagnostics**

Status indication LED	no
-----------------------	----

**Installation | Connection**

Stripping length (jacket) 100 mm

**Installation | Pin assignment**

Coding Type 3  
 Configuration partly used

**Device protection | Electrical**

Additional condition protection degree inserted, locked  
 Pollution Degree 3  
 Rated surge voltage 6 kV  
 Material group (IEC 60664-1) I

**Mechanical data | Material data**

Material housing PUR  
 Material contact carrier PA  
 Locking material POM

**Mechanical data | Mounting data**

Looking techniques bayonet-locking

**Environmental characteristics | Climatic**

Operating temperature min. -30 °C  
 Operating temperature max. 85 °C  
 Additional condition temperature range depending on cable quality

**Important installation notes**

Note on strain relief Protect the connectors by suitable measures from mechanical loads, e.g. by the usage of cable ties.  
 Note on bending radius **Attention:** Observe the permissible bending radii when laying cables, as the IP protection class can be endangered by excessive bending forces.

**Conformity**

Product standard IEC 61076-2-116

**Installation | Cable**

wire arrangement black 3, black 2, black 1, green-yellow  
 Cable identification P71  
 Cable Type 1  
 Function cable Power  
 Printing color of wire insulation white (isolation black)  
 Jacket Color black  
 Type of Certificate cURus  
 Amount stranding 1  
 Stranding 4 wires twisted  
 wire arrangement black 3, black 2, black 1, green-yellow  
 Cable weight 111,1 g/m  
 Material jacket PVC  
 Shore hardness jacket 90 ± 5 Shore A  
 Freedom from ingredients (jacket) lead-free, cadmium-free, CFC-free  
 Outer-diameter (jacket) 7,4 mm  
 Tolerance outer diameter (sheath) ± 5 %  
 Material wire insulation PP  
 Amount wires 4  
 Outer diameter insulation 2,35 mm  
 Outer diameter tolerance core insulation ± 5 %  
 Shore hardness wire insulation 60 ± 5 Shore D  
 Ingredient freeness wire insulation lead-free, cadmium-free, CFC-free, halogen-free, silicone-free  
 Printing color of wire insulation white (isolation black)  
 Amount strands (wire) 84  
 Diameter of single wires 0,15 mm

Conductor crosssection (wire)	1,5 mm <sup>2</sup>
Material conductor wire	Stranded copper wire, bare
Conductor type (wire)	strand class 6
Nominal voltage AC max.	1000 V
Current load capacity (standard)	to DIN VDE 0298-4
Current load capacity min. wire	14,4 A
Electrical resistance line constant wire	13,3 Ω/km @ 20 °C
AC withstand voltage (wire - wire)	10 kV
Power frequency withstand voltage (wire - jacket)	10 kV
Min. operating temperature (static)	-40 °C
Max. operating temperature (fixed)	80 °C
Operating temperature min. (dynamic)	-25 °C
Operating temperature max. (dynamic)	80 °C
UV resistance	DIN EN ISO 4892-2 A
Flame resistance	UL 1581 § 1090   UL 1581 § 1100 FT2   IEC 60332-2-2
chemical resistance	Good, application-related testing
Gasoline resistance	Good, application-related testing
Oil resistance	DIN EN 60811-404   Good, application-related testing
Bending radius (fixed)	5 x Outer diameter
Bending radius (dynamic)	10 x Outer diameter