

MQ15 fem. 90° with cable shielded 600V AC type 3

PUR 4x2.5 or UL/CSA+drag ch. 5m

MQ15, 4-pole

Female angled, contact carrier 90° turned shielded

without cable sleeves

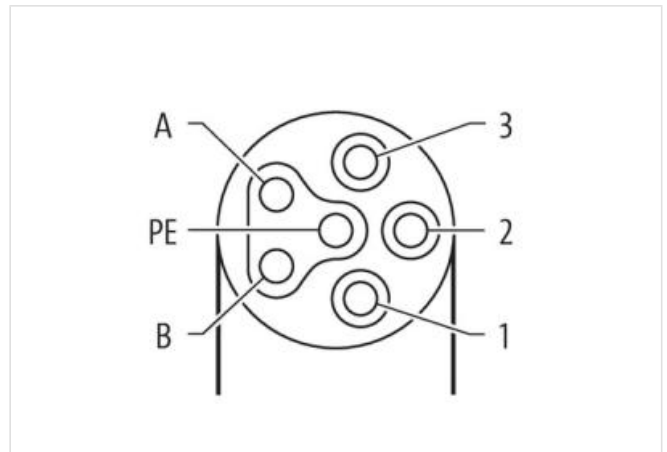
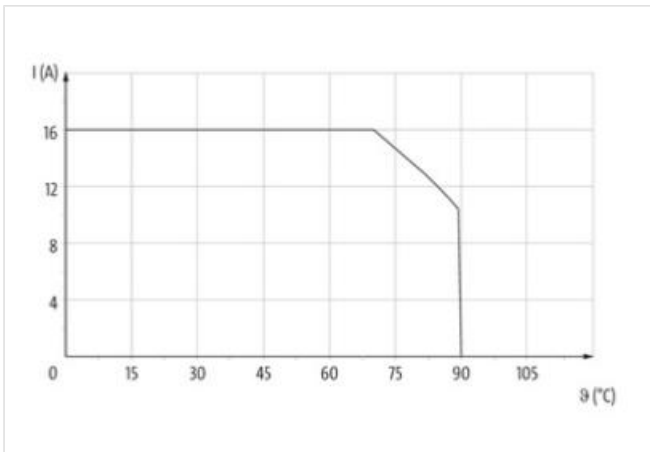
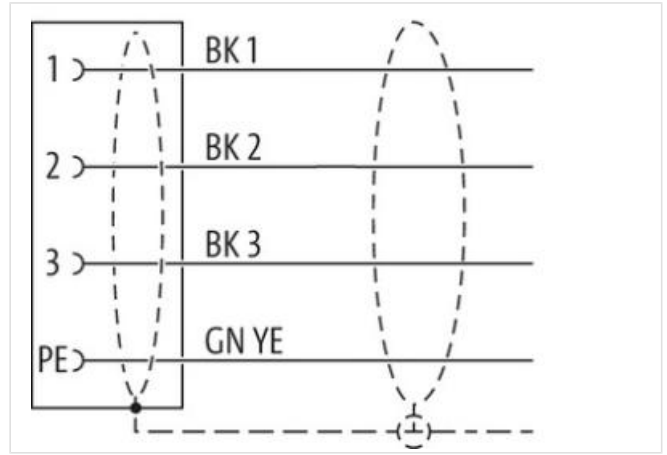
Plastic housings with good resistance against chemicals and oils.

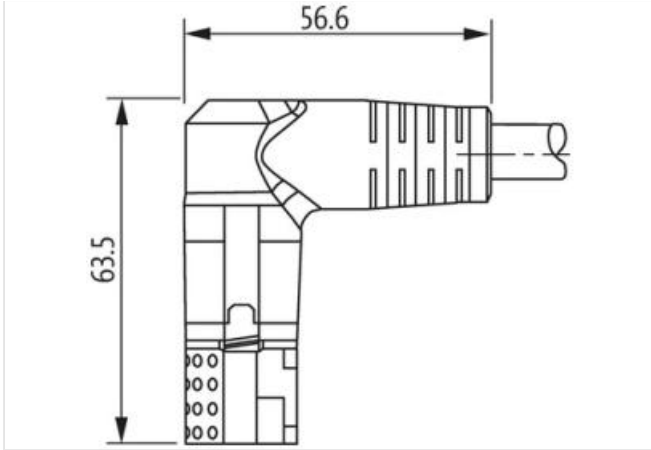
The resistance to aggressive media should be individually tested for your application. Further details on request.

Further cable lengths on request.

Ürün Linki

örnekleme





Ürün Image farklı olabilir



Cable length	5 m
--------------	-----

Side 1

Mounting method	inserted, screwed
Coating contact	silver-plated
Family construction form	MQ15
Cable outlet	angled
Material contact	Copper alloy
No. of poles	4
Degree of protection (EN IEC 60529)	IP67

Side 2

Stripping length (jacket)	30 mm
---------------------------	-------

Ticari bilgiler

ECLASS-6.0	27279221
ECLASS-6.1	27279218
ECLASS-7.0	27279218
ECLASS-8.0	27279218
ECLASS-9.0	27060327
ECLASS-10.1	27060311
ECLASS-11.1	27060311
ECLASS-12.0	27060327
ETIM-5.0	EC001855
GTIN	4048879701730
Gümrük tarife no (gtip)	85444290
Paket miktarı	1

Electrical data | Supply

Operating voltage AC max.	600 V
Current operating per contact max.	16 A

Diagnostics

Status indication LED	no
-----------------------	----

Installation | Connection

Stripping length (jacket)	30 mm
---------------------------	-------

Mating cycles min. 500

Installation | Pin assignment

Configuration fully used

Device protection | Electrical

Degree of protection (EN IEC 60529) IP67
 Additional condition protection degree inserted, screwed
 Pollution Degree 3
 Rated surge voltage 4 kV
 Material group (IEC 60664-1) I

Mechanical data | Material data

Combustibility class housing (UL94) HB
 Material housing Plastic
 Material contact carrier PA

Mechanical data | Mounting data

Looking techniques bayonet-locking

Environmental characteristics | Climatic

Operating temperature min. -25 °C
 Operating temperature max. 80 °C
 Additional condition temperature range depending on cable quality

Important installation notes

Note on strain relief Protect the connectors by suitable measures from mechanical loads, e.g. by the usage of cable ties.
 Note on bending radius **Attention:** Observe the permissible bending radii when laying cables, as the IP protection class can be endangered by excessive bending forces.

Installation | Cable

wire arrangement black 1, black 2, black 3, green-yellow
 Cable identification P13
 Jacket Color orange
 Cable shielding (type) copper braiding, bare
 Cable shielding (coverage) 85 %
 wire arrangement black 1, black 2, black 3, green-yellow
 Cable weight 149,6 g/m
 Material jacket PUR
 Outer-diameter (jacket) 10,6 mm
 Tolerance outer diameter (sheath) ± 5 %
 Material wire insulation TPE
 Amount wires 4
 Conductor crosssection (wire) 2,5 mm²
 Material conductor wire Stranded copper wire, bare
 Nominal voltage AC max. 1000 V
 AC withstand voltage (wire - wire) 4 kV
 Power frequency withstand voltage (wire - jacket) 4 kV
 Min. operating temperature (static) -50 °C
 Max. operating temperature (fixed) 80 °C
 Operating temperature min. (dynamic) -35 °C
 Operating temperature max. (dynamic) 70 °C
 Flame resistance UL 1581 § 1090 | UL 1581 § 1100 FT2 | IEC 60332-2-2
 chemical resistance Good, application-related testing
 Gasoline resistance Good, application-related testing
 Oil resistance Good, application-related testing | DIN EN 60811-404
 Bending radius (fixed) 4 x Outer diameter
 Bending radius (dynamic) 7,5 x Outer diameter

No. of bending cycles (C-track)	5 Mio.
Travel speed (C-track)	3 m/s
Torsion stress	± 15 °/m