

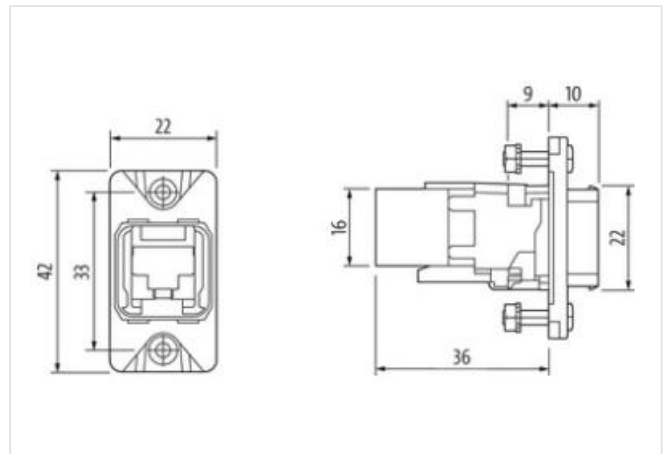
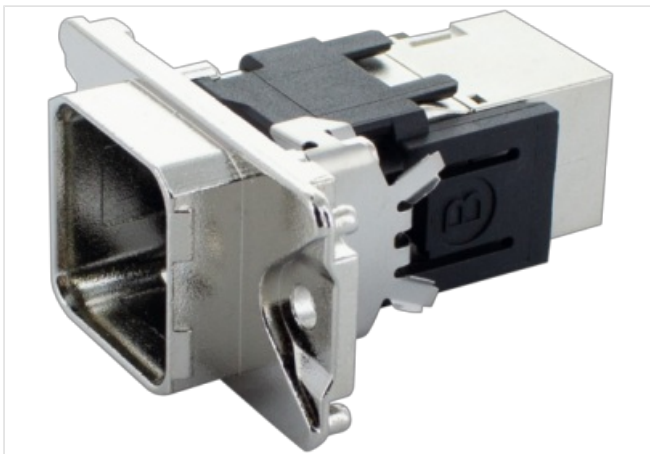
RJ45 mounting frame for PP RJ45

Including RJ45 coupling module

8-pole
shielded
Ethernet CAT6A
with gasket
with fixing screws
RJ45 mounting frame for push-pull locking, incl. RJ45 coupling module

제품 링크

일러스트



실제 제품은 이미지와 다를 수 있습니다.



Side 1

No. of poles 8

제품자료

ECLASS-6.0	27279221
ECLASS-7.0	27440104
ECLASS-8.0	27440104
ECLASS-9.0	27440102
ECLASS-10.1	27440210
ECLASS-11.1	27440210
ECLASS-12.0	27440210
ETIM-5.0	EC002635
GTIN	4065909022306
세번부호	85366990
포장단위	1

Electrical data | Supply

Operating voltage DC 56,5 V
Current operating per contact max. 1,75 A

Industrial communication

Supported protocol Ethernet

Transmission frequency max.	250 MHz
Transfer parameters	CAT6A
Data transmission rate max.	1000 MBit/s

Installation | Connection

Family construction form	RJ45
--------------------------	------

Device protection | Electrical

Degree of protection (EN IEC 60529)	IP67
Additional condition protection degree	inserted, screwed
Pollution Degree	2
Insulation resistance min.	500 MΩ

Mechanical data | Material data

Combustibility class (UL94)	V-0
Material gasket	NBR
Material housing	Zinc die-casting

Mechanical data | Mounting data

Mounting method	Push Pull
Height	42 mm
Width	22,2 mm
Depth	46,2 mm

Environmental characteristics | Climatic

Operating temperature min.	-10 °C
Operating temperature max.	60 °C

Important installation notes

Note on strain relief	Protect the connectors by suitable measures from mechanical loads, e.g. by the usage of cable ties.
Note on bending radius	Attention: Observe the permissible bending radii when laying cables, as the IP protection class can be endangered by excessive bending forces.