

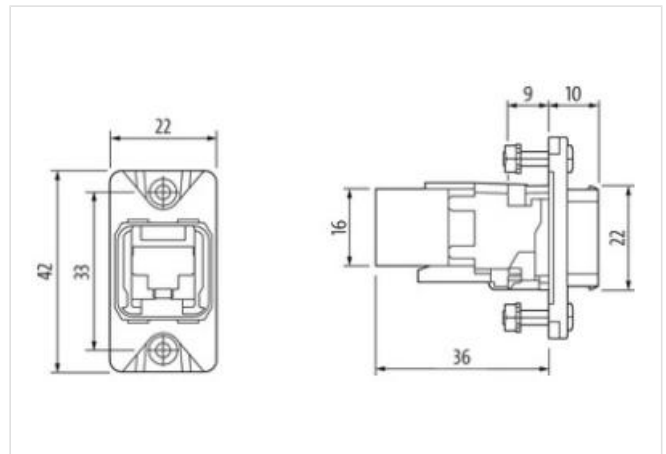
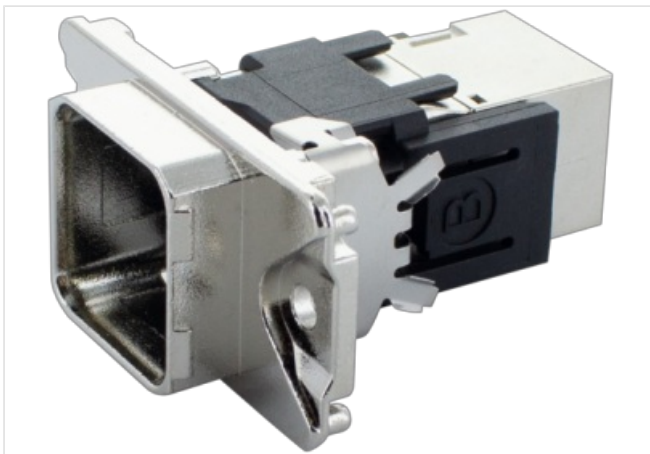
## RJ45 mounting frame for PP RJ45

Including RJ45 coupling module

8-pole  
shielded  
Ethernet CAT6A  
with gasket  
with fixing screws  
RJ45 mounting frame for push-pull locking, incl. RJ45 coupling module

### [Link to Product](#)

#### Illustration



Product may differ from Image



#### Side 1

No. of poles 8

#### Commercial data

ECLASS-6.0	27279221
ECLASS-7.0	27440104
ECLASS-8.0	27440104
ECLASS-9.0	27440102
ECLASS-10.1	27440210
ECLASS-11.1	27440210
ECLASS-12.0	27440210
ETIM-5.0	EC002635
customs tariff number	85366990
GTIN	4065909022306
Packaging unit	1

#### Electrical data | Supply

Operating voltage DC 56,5 V  
Current operating per contact max. 1,75 A

#### Industrial communication

Supported protocol Ethernet

Transmission frequency max.	250 MHz
Transfer parameters	CAT6A
Data transmission rate max.	1000 MBit/s
<b>Installation   Connection</b>	
Family construction form	RJ45
<b>Device protection   Electrical</b>	
Degree of protection (EN IEC 60529)	IP67
Additional condition protection degree	inserted, screwed
Pollution Degree	2
Insulation resistance min.	500 M $\Omega$
<b>Mechanical data   Material data</b>	
Combustibility class (UL94)	V-0
Material gasket	NBR
Material housing	Zinc die-casting
<b>Mechanical data   Mounting data</b>	
Mounting method	Push Pull
Height	42 mm
Width	22,2 mm
Depth	46,2 mm
<b>Environmental characteristics   Climatic</b>	
Operating temperature min.	-10 °C
Operating temperature max.	60 °C
<b>Important installation notes</b>	
Note on strain relief	Protect the connectors by suitable measures from mechanical loads, e.g. by the usage of cable ties.
Note on bending radius	<b>Attention:</b> Observe the permissible bending radii when laying cables, as the IP protection class can be endangered by excessive bending forces.