

**M8 male 90° A-cod. / MSUD valve plug A-18mm**

PVC 3x0.34 bk UL/CSA 2m

MSUD

Further cable lengths on request.

Form A (18 mm)

4-pole

Male M8

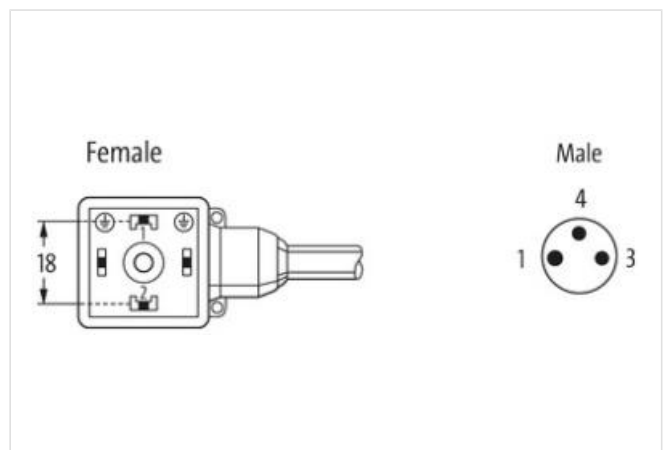
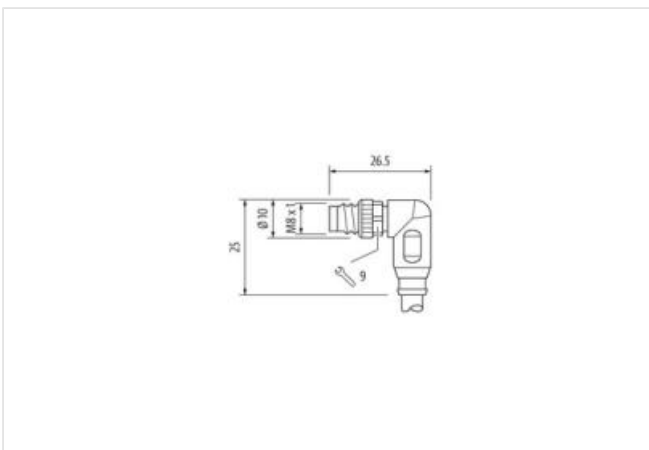
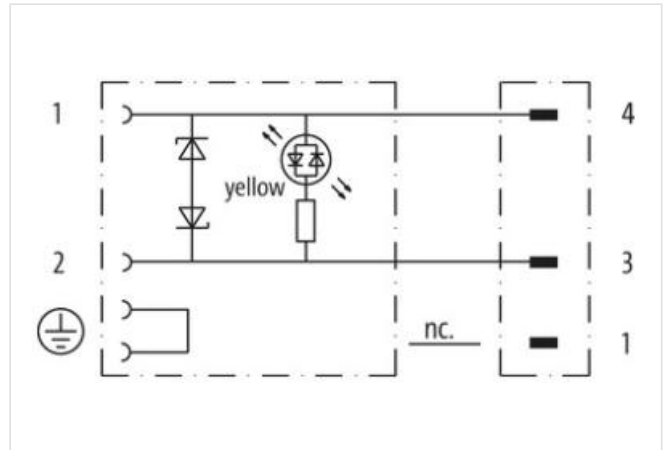
90°

3-pole

24 V AC  $\pm 20\%$  / DC  $\pm 25\%$ 

Z-Diode + LED

Art-No. 7005 - M8 Lite - (plastic hexagonal screw) on request

[Link to Product](#)**Illustration**



Product may differ from Image



Cable length 2 m

**Side 1**

|                                           |                   |
|-------------------------------------------|-------------------|
| Tightening torque                         | 0,4 Nm            |
| Mounting method                           | inserted, screwed |
| Coating contact                           | silver-plated     |
| Family construction form                  | MSUD              |
| Thread                                    | M3                |
| suitable for corrugated tube (internal Ø) | 6,5 mm            |
| Material contact                          | Copper alloy      |
| Material                                  | PUR               |
| No. of poles                              | 4                 |

**Side 2**

|                          |                   |
|--------------------------|-------------------|
| Tightening torque        | 0,4 Nm            |
| Mounting method          | inserted, screwed |
| Coating contact          | gold plated       |
| Family construction form | M8                |
| Thread                   | M8 x 1            |
| Material contact         | Copper alloy      |
| Material                 | PBT               |
| No. of poles             | 3                 |
| Width across flats       | SW9               |

**Commercial data**

|                       |               |
|-----------------------|---------------|
| ECLASS-6.0            | 27279218      |
| ECLASS-7.0            | 27279218      |
| ECLASS-8.0            | 27279218      |
| ECLASS-9.0            | 27060311      |
| ECLASS-10.1           | 27060312      |
| ECLASS-11.1           | 27060312      |
| ECLASS-12.0           | 27060312      |
| ETIM-5.0              | EC001855      |
| customs tariff number | 85444290      |
| GTIN                  | 4048879117913 |
| Packaging unit        | 1             |

The information in this Product-PDF has been compiled with the utmost care.

Liability for the correctness completeness and topicality of the information is restricted to gross negligence. Version: 2024-06-21

Murrelektronik GmbH | Falkenstr. 3 | 71570 Oppenweiler | Fon +49 (71 91) 47-0 | Fax +49 (71 91) 47-491000 | shop@murrelektronik.com | shop.murrelektronik.com

| Electrical data   Supply                 |                                                                                                                                                       |
|------------------------------------------|-------------------------------------------------------------------------------------------------------------------------------------------------------|
| Operating voltage AC                     | 24 V                                                                                                                                                  |
| Operating voltage AC min.                | 19,2 V                                                                                                                                                |
| Operating voltage AC max.                | 28,8 V                                                                                                                                                |
| Operating voltage DC                     | 24 V                                                                                                                                                  |
| Operating voltage DC min.                | 18 V                                                                                                                                                  |
| Operating voltage DC max.                | 30 V                                                                                                                                                  |
| Cut-off peak voltage max.                | 55 V                                                                                                                                                  |
| Current operating per contact max.       | 4 A                                                                                                                                                   |
| Current consumption max.                 | 15 mA                                                                                                                                                 |
| Diagnostics                              |                                                                                                                                                       |
| Status indication LED                    | yellow                                                                                                                                                |
| Device protection   Electrical           |                                                                                                                                                       |
| Degree of protection (EN IEC 60529)      | IP65, IP67                                                                                                                                            |
| Additional condition protection degree   | inserted, screwed                                                                                                                                     |
| Pollution Degree                         | 3                                                                                                                                                     |
| Rated surge voltage                      | 0,8 kV                                                                                                                                                |
| Material group (IEC 60664-1)             | I                                                                                                                                                     |
| Additional suppressor                    | Diode, Z-Diode                                                                                                                                        |
| Mechanical data   Material data          |                                                                                                                                                       |
| Coating locking                          | Nickel                                                                                                                                                |
| Color housing                            | black                                                                                                                                                 |
| Material gasket                          | PUR                                                                                                                                                   |
| Material housing                         | Plastic                                                                                                                                               |
| Locking material                         | Zinc die-casting                                                                                                                                      |
| Mechanical data   Mounting data          |                                                                                                                                                       |
| Mounting method                          | inserted, screwed                                                                                                                                     |
| Environmental characteristics   Climatic |                                                                                                                                                       |
| Operating temperature min.               | -25 °C                                                                                                                                                |
| Operating temperature max.               | 85 °C                                                                                                                                                 |
| Additional condition temperature range   | depending on cable quality                                                                                                                            |
| Important installation notes             |                                                                                                                                                       |
| Note on strain relief                    | Protect the connectors by suitable measures from mechanical loads, e.g. by the usage of cable ties.                                                   |
| Note on bending radius                   | <b>Attention:</b> Observe the permissible bending radii when laying cables, as the IP protection class can be endangered by excessive bending forces. |
| Conformity                               |                                                                                                                                                       |
| Product standard                         | DIN EN 61076-2-114 (M8)                                                                                                                               |
| Installation   Cable                     |                                                                                                                                                       |
| wire arrangement                         | brown, black, blue                                                                                                                                    |
| Cable identification                     | 613                                                                                                                                                   |
| Cable Type                               | 1                                                                                                                                                     |
| Jacket Color                             | black                                                                                                                                                 |
| Type of Certificate                      | cURus                                                                                                                                                 |
| Amount stranding                         | 1                                                                                                                                                     |
| Stranding                                | 3 wires twisted                                                                                                                                       |
| wire arrangement                         | brown, black, blue                                                                                                                                    |
| Cable weight                             | 34,1 g/m                                                                                                                                              |
| Material jacket                          | PVC                                                                                                                                                   |
| Shore hardness jacket                    | 85 ± 5 Shore A                                                                                                                                        |
| Freedom from ingredients (jacket)        | lead-free, cadmium-free, CFC-free, silicone-free                                                                                                      |
| Outer-diameter (jacket)                  | 4,6 mm                                                                                                                                                |

|                                                   |                                                      |
|---------------------------------------------------|------------------------------------------------------|
| Tolerance outer diameter (sheath)                 | ± 5 %                                                |
| Material wire insulation                          | PVC                                                  |
| Amount wires                                      | 3                                                    |
| Outer diameter insulation                         | 1,25 mm                                              |
| Outer diameter tolerance core insulation          | ± 5 %                                                |
| Shore hardness wire insulation                    | 45 ± 5 Shore D                                       |
| Material properties wire insulation               | good machinability                                   |
| Ingredient freeness wire insulation               | lead-free, cadmium-free, CFC-free, silicone-free     |
| Amount strands (wire)                             | 19                                                   |
| Diameter of single wires                          | 0,15 mm                                              |
| Conductor crosssection (wire)                     | 0,34 mm <sup>2</sup>                                 |
| Material conductor wire                           | Stranded copper wire, bare                           |
| Conductor type (wire)                             | Strand class 5                                       |
| Nominal voltage AC max.                           | 300 V                                                |
| Current load capacity (standard)                  | to DIN VDE 0298-4                                    |
| Current load capacity min. wire                   | 6 A                                                  |
| Electrical resistance line constant wire          | 57 Ω/km @ 20 °C                                      |
| AC withstand voltage (wire - wire)                | 2 kV @ 60 s                                          |
| Power frequency withstand voltage (wire - jacket) | 2 kV @ 60 s                                          |
| Min. operating temperature (static)               | -30 °C                                               |
| Max. operating temperature (fixed)                | 80 °C                                                |
| Operating temperature min. (dynamic)              | -5 °C                                                |
| Operating temperature max. (dynamic)              | 80 °C                                                |
| UV resistance                                     | DIN EN ISO 4892-2 A                                  |
| Flame resistance                                  | IEC 60332-2-2   UL 1581 § 1100 FT2   UL 1581 § 1090  |
| chemical resistance                               | Good, application-related testing                    |
| Gasoline resistance                               | Good, application-related testing                    |
| Oil resistance                                    | Good, application-related testing   DIN EN 60811-404 |
| Bending radius (fixed)                            | 5 x Outer diameter                                   |
| Bending radius (dynamic)                          | 10 x Outer diameter                                  |