

**RJ45 male 0° / RJ45 male 0° shielded**

PUR 4x2xAWG26 shielded gn UL/CSA 75m

Ethernet

Male straight – male straight

RJ45 – RJ45, 8-pole

shielded

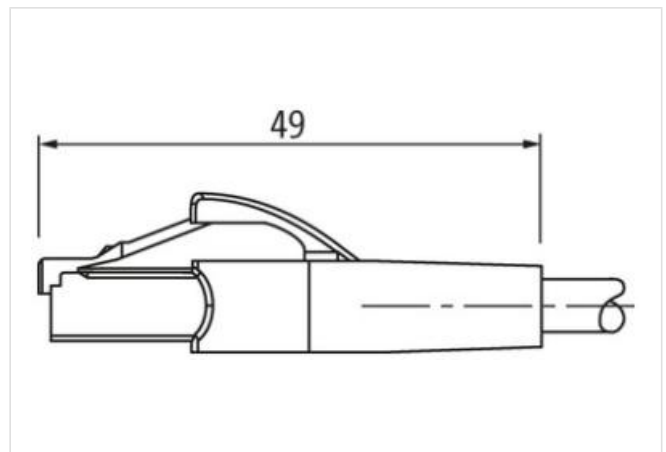
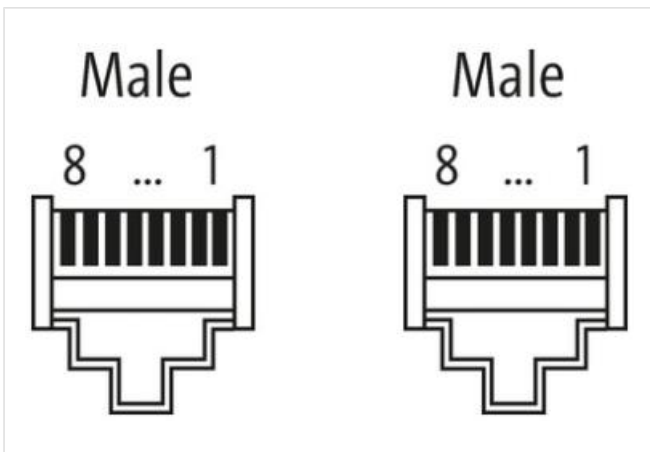
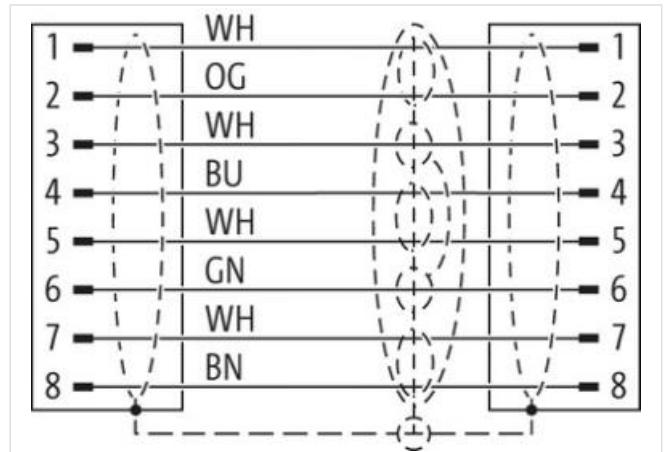
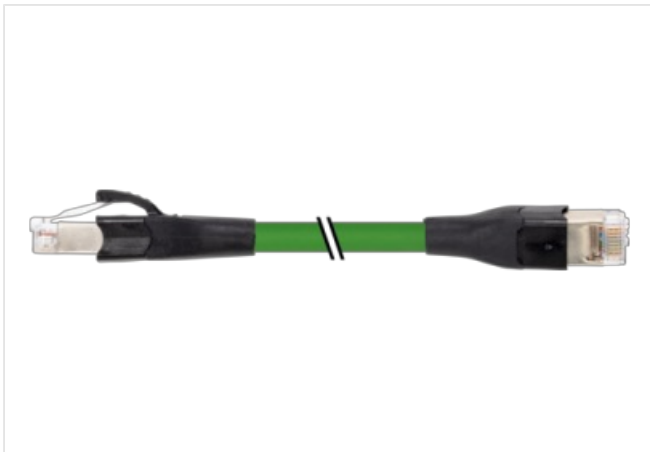
Further cable lengths on request.

Plastic housings with good resistance against chemicals and oils.

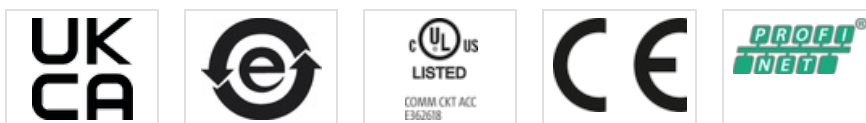
The resistance to aggressive media should be individually tested for your application. Further details on request.

[Link to Product](#)

**Illustration**



Product may differ from Image



Cable length 75 m

**Side 1**

Mounting method inserted

|   |   |
|---|---|
| Family construction form                        | RJ45  |
| Cable outlet                                    | straight  |
| No. of poles                                    | 8   |
| Degree of protection (EN IEC 60529)             | IP20  |
| <b>Side 2</b>                                   |   |
| Mounting method                                 | inserted  |
| Family construction form                        | RJ45  |
| Cable outlet                                    | straight  |
| No. of poles                                    | 8   |
| Degree of protection (EN IEC 60529)             | IP20  |
| <b>Commercial data</b>                          |   |
| ECLASS-6.0                                      | 27061801  |
| ECLASS-6.1                                      | 27060307  |
| ECLASS-7.0                                      | 27060307  |
| ECLASS-8.0                                      | 27060307  |
| ECLASS-9.0                                      | 27060307  |
| ECLASS-10.1                                     | 27060307  |
| ECLASS-11.1                                     | 27060307  |
| ECLASS-12.0                                     | 27060307  |
| ETIM-5.0  | EC002599  |
| customs tariff number                           | 85444210  |
| GTIN  | 4048879704748   |
| Packaging unit                                  | 1   |
| <b>Electrical data   Supply</b>                 |   |
| Operating voltage DC max.                       | 60 V  |
| Current operating per contact max.              | 1,5 A   |
| <b>Industrial communication</b>                 |   |
| Transfer parameters                             | CAT6, Class EA (ISO/IEC 11801:2002), (EN 50173-1)   |
| Data transmission rate max.                     | 10 GBit/s   |
| <b>Diagnostics</b>                              |   |
| Status indication LED                           | no  |
| <b>Device protection   Electrical</b>           |   |
| Degree of protection (EN IEC 60529)             | IP20  |
| Additional condition protection degree          | inserted, screwed   |
| Pollution Degree                                | 3   |
| Rated surge voltage                             | 1 kV  |
| Material group (IEC 60664-1)                    | I   |
| <b>Mechanical data</b>                          |   |
| Contour for corrugated hose                     | without   |
| <b>Mechanical data   Material data</b>          |   |
| Material housing                                | PUR   |
| Locking material                                | PA  |
| <b>Mechanical data   Mounting data</b>          |   |
| Looking techniques                              | Snap-in connector   |
| <b>Environmental characteristics   Climatic</b> |   |
| Operating temperature min.                      | -25 °C  |
| Operating temperature max.                      | 85 °C   |
| Additional condition temperature range          | depending on cable quality  |
| <b>Important installation notes</b>             |   |
| Note on strain relief                           | Protect the connectors by suitable measures from mechanical loads, e.g. by the usage of cable ties. |

Note on bending radius

**Attention:** Observe the permissible bending radii when laying cables, as the IP protection class can be endangered by excessive bending forces.

| Installation   Cable                              |  |
|---|--|
| wire arrangement                                  | (white, orange), (white, blue), (white, brown), (white, green) |
| Cable identification                              | 790  |
| Jacket Color                                      | green  |
| Type of Certificate                               | cURus  |
| Amount stranding                                  | 4  |
| Stranding   | 2 wires twisted  |
| Amount stranding (type 2)                         | 1  |
| Stranding (type 2)                                | 4 Stranded joints twisted                                      |
| Cable shielding (type)                            | copper braid, tinned   |
| Cable shielding (coverage)                        | 65 %   |
| Banding   | Foil   |
| wire arrangement                                  | (white, orange), (white, blue), (white, brown), (white, green) |
| Cable weight                                      | 52,8 g/m   |
| Material jacket                                   | PUR  |
| Shore hardness jacket                             | 89 Shore A   |
| Freedom from ingredients (jacket)                 | lead-free, CFC-free, halogen-free                              |
| Outer-diameter (jacket)                           | 6,4 mm   |
| Tolerance outer diameter (sheath)                 | ± 5 %  |
| Material wire insulation                          | PE   |
| Amount wires                                      | 8  |
| Outer diameter insulation                         | 1,05 mm  |
| Outer diameter tolerance core insulation          | ± 5 %  |
| Shore hardness wire insulation                    | 65 Shore D   |
| Ingredient freeness wire insulation               | lead-free, CFC-free, halogen-free                              |
| Amount strands (wire)                             | 7  |
| Diameter of single wires                          | 26 AWG   |
| Conductor crosssection (wire)                     | 26 AWG   |
| Material conductor wire                           | Stranded copper wire, bare                                     |
| Nominal voltage AC max.                           | 125 V  |
| Current load capacity (standard)                  | to DIN VDE 0298-4  |
| Current load capacity min. wire                   | 2 A  |
| Electrical resistance line constant wire          | 140 Ω/km @ 20 °C   |
| AC withstand voltage (wire - wire)                | 2 kV @ 60 s  |
| Electrical capacity line constant (wire - wire)   | 44000 pF/km  |
| Power frequency withstand voltage (wire - jacket) | 2 kV @ 60 s  |
| AC withstand voltage (wire - shield)              | 2 kV @ 60 s  |
| Isolation resistance                              | 5000 MΩ × km   |
| Min. operating temperature (static)               | -40 °C   |
| Max. operating temperature (fixed)                | 80 °C  |
| Operating temperature min. (dynamic)              | -30 °C   |
| Operating temperature max. (dynamic)              | 70 °C  |
| Flame resistance                                  | IEC 60332-2-2   UL 1581 § 1100 FT2   UL 1581 § 1090            |
| chemical resistance                               | Good, application-related testing                              |
| Gasoline resistance                               | Good, application-related testing                              |
| Oil resistance                                    | Good, application-related testing   DIN EN 60811-404           |
| Bending radius (fixed)                            | 8 x Outer diameter   |
| Bending radius (dynamic)                          | 10 x Outer diameter  |