

### Valve plug MJC 0° with cable

PUR 2x0.5 bk drag ch. 26m

Female straight

0...230 V AC/DC

without components

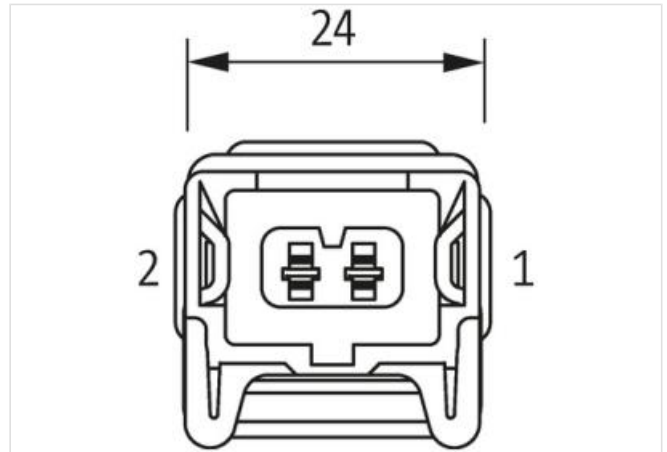
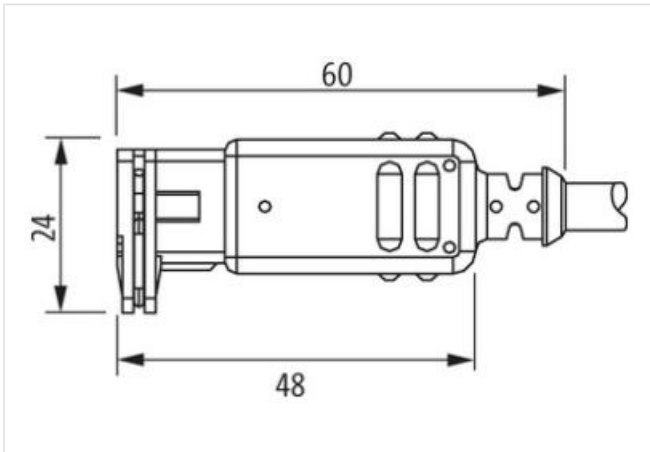
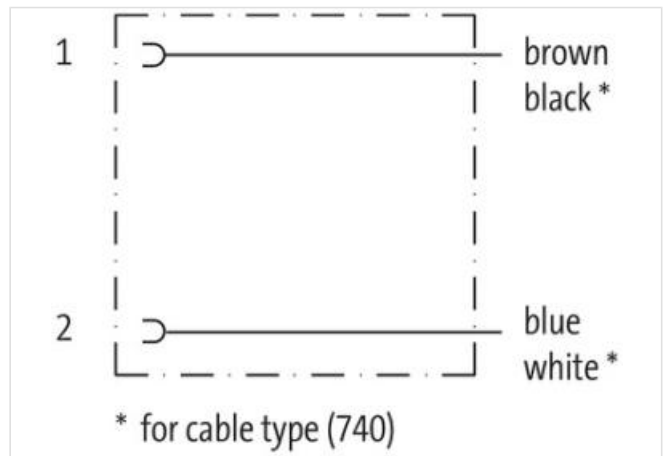
Plastic housings with good resistance against chemicals and oils.

The resistance to aggressive media should be individually tested for your application. Further details on request.

Further cable lengths on request.

### Ürün Linki

örnekleme



Ürün Image farklı olabilir

Cable length 26 m

#### Ticari bilgiler

|             |          |
|-------------|----------|
| ECLASS-6.0  | 27279218 |
| ECLASS-6.1  | 27279218 |
| ECLASS-7.0  | 27279218 |
| ECLASS-8.0  | 27279218 |
| ECLASS-9.0  | 27060312 |
| ECLASS-10.1 | 27060312 |

|   |   |
|---|---|
| ECLASS-11.1                                     | 27060312  |
| ECLASS-12.0                                     | 27060312  |
| ETIM-5.0  | EC001855  |
| GTIN  | 4048879335430   |
| Gümrük tarife no (gtip)                         | 85444290  |
| Paket miktarı                                   | 1   |
| <b>Electrical data   Supply</b>                 |   |
| Operating voltage AC max.                       | 230 V   |
| Operating voltage DC max.                       | 230 V   |
| Current operating per contact max.              | 4 A   |
| <b>Device protection   Electrical</b>           |   |
| Degree of protection (EN IEC 60529)             | IP65  |
| Additional condition protection degree          | inserted, locked  |
| Rated surge voltage                             | 4 kV  |
| <b>Device protection   Media</b>                |   |
| Flame resistance                                | flame retardant   |
| <b>Mechanical data   Material data</b>          |   |
| Color housing                                   | black   |
| Material housing                                | Plastic   |
| <b>Environmental characteristics   Climatic</b> |   |
| Operating temperature min.                      | -25 °C  |
| Operating temperature max.                      | 85 °C   |
| Additional condition temperature range          | depending on cable quality  |
| <b>Important installation notes</b>             |   |
| Note on strain relief                           | Protect the connectors by suitable measures from mechanical loads, e.g. by the usage of cable ties.   |
| Note on bending radius                          | <b>Attention:</b> Observe the permissible bending radii when laying cables, as the IP protection class can be endangered by excessive bending forces. |
| <b>Installation   Cable</b>                     |   |
| wire arrangement                                | black, white  |
| Cable identification                            | 740   |
| Jacket Color                                    | black   |
| Amount stranding                                | 1   |
| Stranding                                       | 2 wires twisted   |
| wire arrangement                                | black, white  |
| Cable weight                                    | 36,3 g/m  |
| Material jacket                                 | PUR   |
| Shore hardness jacket                           | 85 Shore A  |
| Freedom from ingredients (jacket)               | lead-free, cadmium-free, CFC-free, halogen-free   |
| Outer-diameter (jacket)                         | 5 mm  |
| Tolerance outer diameter (sheath)               | ± 5 %   |
| Material wire insulation                        | TPE-E   |
| Amount wires                                    | 2   |
| Outer diameter insulation                       | 1,5 mm  |
| Outer diameter tolerance core insulation        | ± 5 %   |
| Shore hardness wire insulation                  | 70 Shore A  |
| Ingredient freeness wire insulation             | lead-free, CFC-free, halogen-free   |
| Amount strands (wire)                           | 64  |
| Diameter of single wires                        | 0,1 mm  |
| Conductor crosssection (wire)                   | 0,5 mm <sup>2</sup>   |
| Material conductor wire                         | Stranded copper wire, bare  |
| Conductor type (wire)                           | strand class 6  |
| Max. rated voltage (conductor - conductor)      | 500 V   |

|   |  |
|---|--|
| Max. rated voltage (conductor - ground)           | 300 V  |
| Current load capacity (standard)                  | to DIN VDE 0298-4                                    |
| Current load capacity min. wire                   | 9 A  |
| Electrical resistance line constant wire          | 39 $\Omega$ /km @ 20 °C                              |
| AC withstand voltage (wire - wire)                | 2 kV @ 60 s  |
| Power frequency withstand voltage (wire - jacket) | 2 kV @ 60 s  |
| Min. operating temperature (static)               | -50 °C   |
| Max. operating temperature (fixed)                | 90 °C  |
| Operating temperature min. (dynamic)              | -30 °C   |
| Operating temperature max. (dynamic)              | 90 °C  |
| UV resistance                                     | DIN EN ISO 4892-2 A                                  |
| Flame resistance                                  | UL 1581 § 1100 FT2   UL 1581 § 1090   IEC 60332-2-2  |
| chemical resistance                               | Good, application-related testing                    |
| Gasoline resistance                               | Good, application-related testing                    |
| Oil resistance                                    | Good, application-related testing   DIN EN 60811-404 |
| Bending radius (dynamic)                          | 10 x Outer diameter                                  |
| No. of bending cycles (C-track)                   | 2 Mio. @ 25 °C                                       |
| Traversing distance (C-track)                     | 5 m @ 25 °C   horizontal                             |
| Travel speed (C-track)                            | 3,3 m/s @ 25 °C                                      |