

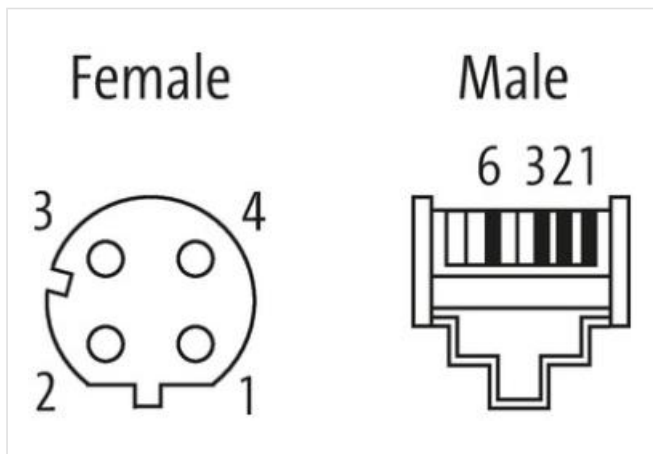
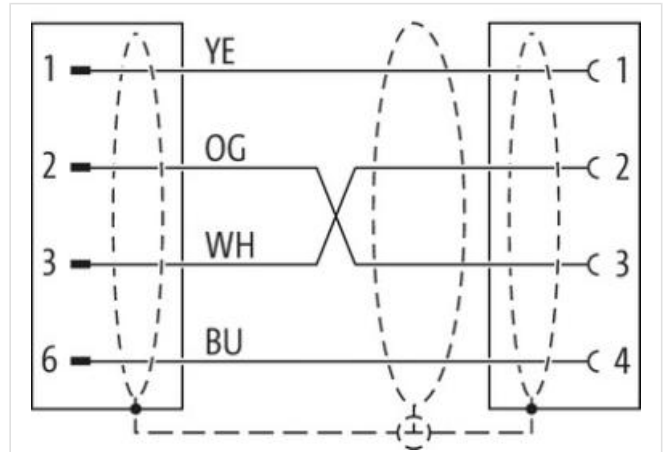
**M12 fem. recept. D-cod. rear/RJ45 male 0° shielded**

PUR 1x4xAWG22 shielded gn UL/CSA+drag ch. 0.75m

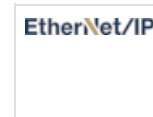
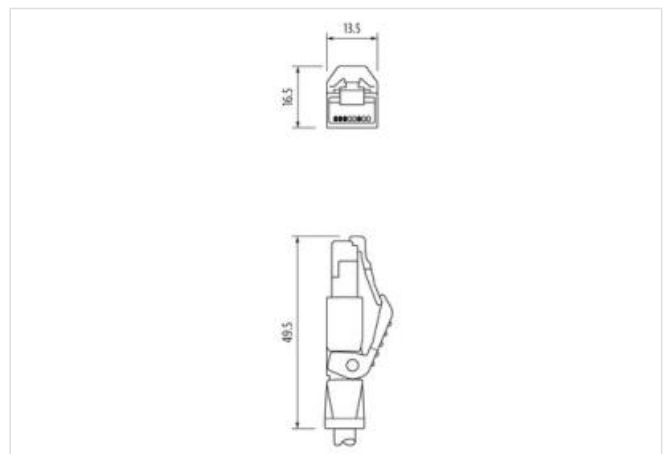
Product fulfills requirements according to UN/ECE R118  
 Ethernet CAT5  
 Plastic housings with good resistance against chemicals and oils.  
 Flange female straight – male straight  
 M12 – RJ45, 4-pole  
 D-coded  
 shielded  
 8-pole partly used  
 Rear mounting  
 Transmission properties with channel transmission up to 100 m  
 Further cable lengths on request.

**Ürün Linki**

örnekleme



Ürün Image farklı olabilir



Cable length 0,75 m

**Side 1**

Tightening torque 0,6 Nm  
Family construction form M12  
Thread M12 x 1  
suitable for corrugated tube (internal Ø) 10 mm  
Coding D  
Material PUR  
Degree of protection (EN IEC 60529) IP67

**Side 2**

Coating head nickel plated  
Family construction form RJ45  
Material Brass  
Degree of protection (EN IEC 60529) IP20

**Ticari bilgiler**

ECLASS-6.0 27061801  
ECLASS-6.1 27279220  
ECLASS-7.0 27440103  
ECLASS-8.0 27440103  
ECLASS-9.0 27440103  
ECLASS-10.1 27440103  
ECLASS-11.1 27440103  
ECLASS-12.0 27440103  
ETIM-5.0 EC002599  
GTIN 4048879875783  
Gümrük tarife no (gtip) 85444290  
Paket miktarı 1

**Electrical data | Supply**

Operating voltage DC max. 60 V  
Operating voltage DC max. (UL-listed) 30 V  
Current operating per contact max. 1,5 A

**Industrial communication**

Transfer parameters CAT5, Class D (ISO/IEC 11801:2002), (EN 50173-1)  
Data transmission rate max. 100 MBit/s

**Industrial communication | Ethernet functionality**

duplex Full duplex

**Installation | Connection**

Mounting set M16 x 1.5  
Family construction form M12  
Width across flats SW19

**Device protection | Electrical**

Protection NEMA 3, 4, 6P  
Pollution Degree 3  
Rated surge voltage 1 kV  
Material group (IEC 60664-1) I

**Mechanical data | Material data**

Coating locking nickel plated  
Locking material Brass

**Mechanical data | Mounting data**

Mounting method inserted, screwed

**Environmental characteristics | Climatic**

Operating temperature min.	-25 °C
Operating temperature max.	85 °C
Additional condition temperature range	depending on cable quality

**Important installation notes**

Note on strain relief	Protect the connectors by suitable measures from mechanical loads, e.g. by the usage of cable ties.
Note on bending radius	<b>Attention:</b> Observe the permissible bending radii when laying cables, as the IP protection class can be endangered by excessive bending forces.

**Conformity**

Product standard	DIN EN 61076-2-101 (M12)
------------------	--------------------------

**Approvals**

UL 50E	yes
--------	-----

**Installation | Cable**

wire arrangement	white, yellow, blue, orange
Cable identification	796
Jacket Color	green
Type of Certificate	cURus
Amount stranding	1
Stranding	4 wires around Core filler twisted
Cable shielding (type)	copper braid, tinned
Cable shielding (coverage)	85 %
Banding	Fleece, Foil
Filler	yes
wire arrangement	white, yellow, blue, orange
Cable weight	69,3 g/m
Material jacket	PUR
Shore hardness jacket	89 Shore A
Freedom from ingredients (jacket)	lead-free, cadmium-free, CFC-free, halogen-free, silicone-free
Outer-diameter (jacket)	6,7 mm
Tolerance outer diameter (sheath)	± 5 %
Material inner jacket	FRNC
Color (inner jacket)	natur
Material wire insulation	PE
Amount wires	4
Outer diameter insulation	1,4 mm
Outer diameter tolerance core insulation	± 5 %
Shore hardness wire insulation	65 Shore D
Ingredient freeness wire insulation	lead-free, CFC-free, halogen-free
Amount strands (wire)	7
Diameter of single wires	22 AWG
Conductor crosssection (wire)	22 AWG
Material conductor wire	Stranded copper wire, bare
Nominal voltage AC max.	300 V
Current load capacity (standard)	to DIN VDE 0298-4
Current load capacity min. wire	4,8 A
Characteristic impedance	100 Ω ± 15 % @ 100 MHz
Electrical resistance line constant wire	55 Ω/km @ 20 °C
AC withstand voltage (wire - wire)	2 kV @ 60 s
Electrical capacity line constant (wire - wire)	50000 pF/km
Power frequency withstand voltage (wire - jacket)	2 kV @ 60 s
AC withstand voltage (wire - shield)	2 kV @ 60 s
Isolation resistance	5000 MΩ × km

Min. operating temperature (static)	-40 °C
Max. operating temperature (fixed)	80 °C
Operating temperature min. (dynamic)	-30 °C
Operating temperature max. (dynamic)	70 °C
Flame resistance	IEC 60332-2-2   UL 1581 § 1090   UL 1581 § 1100 FT2
chemical resistance	Good, application-related testing
Gasoline resistance	Good, application-related testing
Oil resistance	DIN EN 60811-404   Good, application-related testing
Bending radius (fixed)	5 x Outer diameter
Bending radius (dynamic)	12 x Outer diameter
No. of bending cycles (C-track)	3 Mio. @ 25 °C
Traversing distance (C-track)	5 m @ 25 °C
Travel speed (C-track)	3,3 m/s @ 25 °C
No. of torsion cycles	1 Mio. 25 °C
Torsion stress	± 180 °/m