

**M12 male 90° A-cod. / MSUD valve plug A-18mm**

PUR 5x0.34 gy UL/CSA 2m

**⚠ NOTICE ⚠****PRODUCT IS DISCONTINUED. PLEASE HAVE A LOOK AT THE ALTERNATIVE PRODUCTS.****MSUD**

Form A (18 mm) – M12, male 90°

24 V DC ±25%

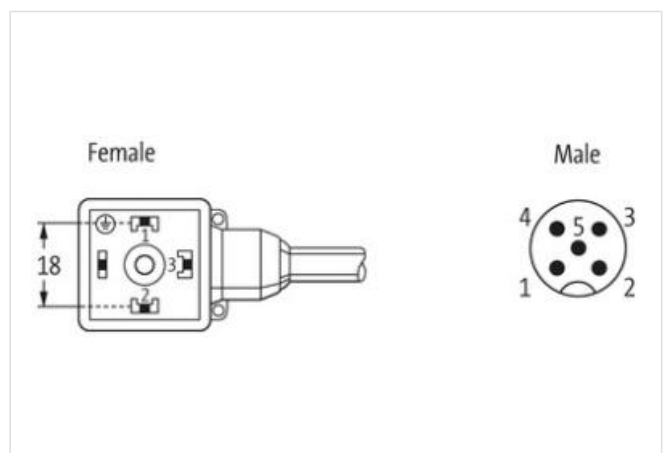
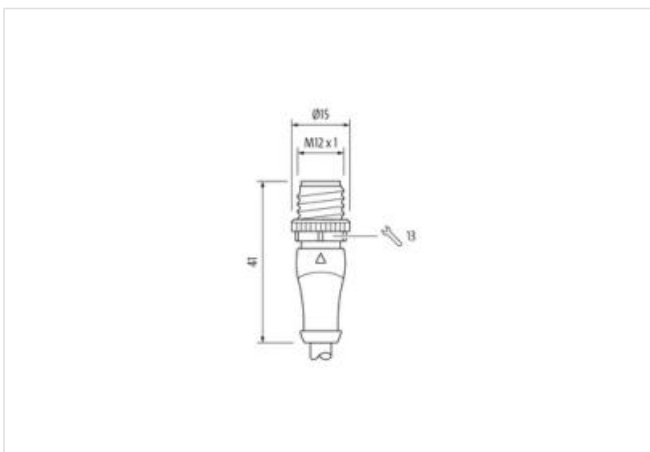
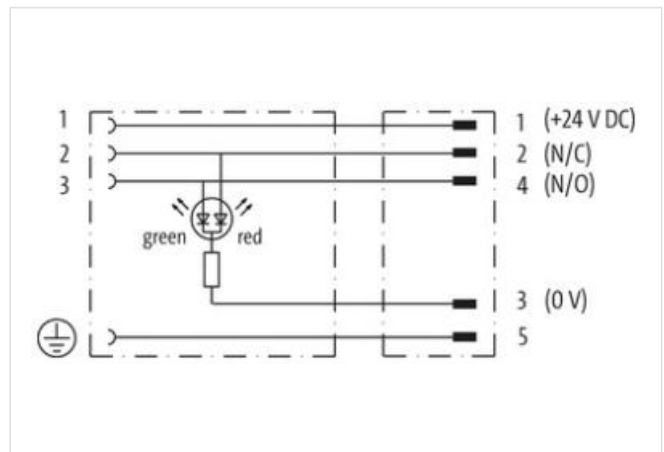
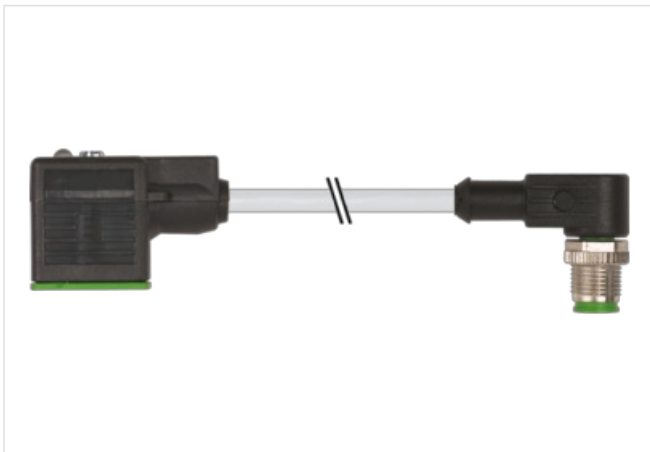
LED (red/green)

for pressure switches

Further cable lengths on request.

Plastic housings with good resistance against chemicals and oils.

The resistance to aggressive media should be individually tested for your application. Further details on request.

[Link to Product](#)**Illustration**



Product may differ from Image



Cable length	2 m
--------------	-----

**Side 1**

Tightening torque	0,4 Nm
Family construction form	MSUD
Thread	M3
Degree of protection (EN IEC 60529)	IP66K, IP67

**Side 2**

Tightening torque	0,6 Nm
Family construction form	M12
Thread	M12 x 1
Degree of protection (EN IEC 60529)	IP66K, IP67

**取引条件**

ECLASS-6.0	27279218
ECLASS-6.1	27279218
ECLASS-7.0	27279218
ECLASS-8.0	27279218
ECLASS-9.0	27060312
ECLASS-10.1	27060312
ECLASS-11.1	27060312
ECLASS-12.0	27060312
ETIM-5.0	EC001855
GTIN	4048879149709
HSコード	85444290
Packaging unit	1

**Electrical data | Supply**

Operating voltage DC	24 V
Operating voltage DC min.	18 V
Operating voltage DC max.	30 V
Current operating per contact max.	4 A
Current consumption max.	12 mA

**Device protection | Electrical**

このデータシートに含まれる情報は最大限の注意を払って作成されました。

Liability for the correctness completeness and topicality of the information is restricted to gross negligence. Version: 2024-06-22

Additional condition protection degree	inserted, screwed
--	-------------------

Rated surge voltage	0,8 kV
---------------------	--------

#### Mechanical data | Material data

Color housing	black
---------------	-------

Material housing	Plastic
------------------	---------

#### Mechanical data | Mounting data

Mounting method	inserted, screwed
-----------------	-------------------

#### Environmental characteristics | Climatic

Operating temperature min.	-25 °C
----------------------------	--------

Operating temperature max.	85 °C
----------------------------	-------

Additional condition temperature range	depending on cable quality
--	----------------------------

#### Cable

Cable identification	225
----------------------	-----

Cable Type	2 (PUR/PVC)
------------	-------------

Approval (cable)	UL (AWM-Style 20549/1731), CSA; CE conform
------------------	--

Cable weight [g/m]	54,78 g
--------------------	---------

Material wire	Cu wire, bare
---------------	---------------

Resistor (core)	max. 57 Ω/km (20 °C)
-----------------	----------------------

Single wire Ø (core)	0.1 mm
----------------------	--------

Construction (core)	42× 0.1 mm (multi-strand wire class 6)
---------------------	--

Diameter (core)	5× 0.34 mm <sup>2</sup>
-----------------	-------------------------

AWG	similar to AWG 22
-----	-------------------

Material wire isolation	PVC
-------------------------	-----

Material property wire insulation	CFC-, cadmium-, silicone- and lead-free
-----------------------------------	---

Shore hardness wire isolation	43 ±5 D
-------------------------------	---------

Wire-Ø incl. isolation	1.25 mm ±5%
------------------------	-------------

Color/numbering of wires	br, bk, bl, wh, gnye longitudinally striped
--------------------------	---

Stranding combination	5 wires twisted around central filler
-----------------------	---------------------------------------

Shield	no
--------	----

Material jacket	PUR/PVC
-----------------	---------

Material property (jacket)	CFC-, halogen-, cadmium-, silicone- and lead-free, matt, low-adhesion, machine easy to process, abrasion-resistant, hydrolysis and microbial resistant
----------------------------	--

Shore hardness jacket	80 ±5 A (PVC-under jacket); 85 ±5 A (PUR-jacket)
-----------------------	--

Outer-Ø (jacket)	5.0 mm ±5%
------------------	------------

Color jacket	gray
--------------	------

chemical resistance	good resistance to oil, gasoline and chemicals
---------------------	--

Nominal voltage	UL 300 V AC
-----------------	-------------

Test voltage	2000 V AC
--------------	-----------

Current load capacity	to DIN VDE 0298-4
-----------------------	-------------------

Temperature range (fixed)	-30...+80 °C
---------------------------	--------------

Temperature range (mobile)	-5...+80 °C
----------------------------	-------------

Bending radius (fixed)	10× outer Ø
------------------------	-------------

Bending radius (dynamic)	15× outer Ø
--------------------------	-------------

No. of bending cycles (C-track)	max. 2 Mio. (25 °C)
---------------------------------	---------------------

Travel speed (C-track)	max. 3.3 m/s
------------------------	--------------

Acceleration (C-track)	max. 5 m/s <sup>2</sup>
------------------------	-------------------------