

**M12 male 0° / M8 female 0° A-cod.**

PUR 4x0.25 bk UL/CSA+drag ch. 4m

Male straight – female straight

Male straight – female straight

M12 – M8, 4-pole

M12 – M8, 4-pole

Art-No. 7005 - M12/M8 Lite - (plastic hexagonal screw) on request

Art-No. 7005 - M12/M8 Lite - (plastic hexagonal screw) on request

with cable sleeves

with cable sleeves

Cable is approved for 600 V

Cable is approved for 600 V

Plastic housings with good resistance against chemicals and oils.

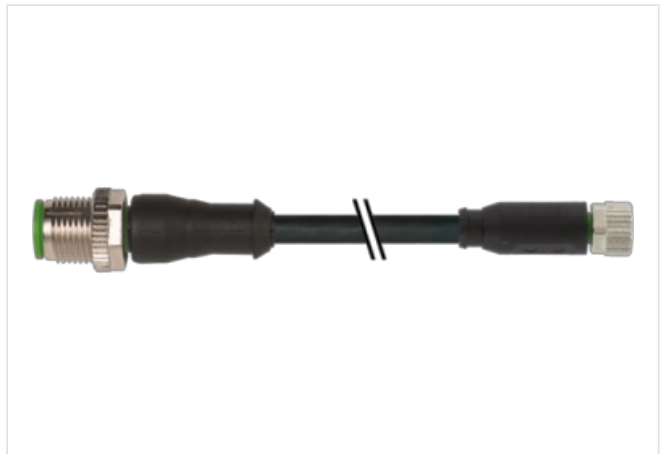
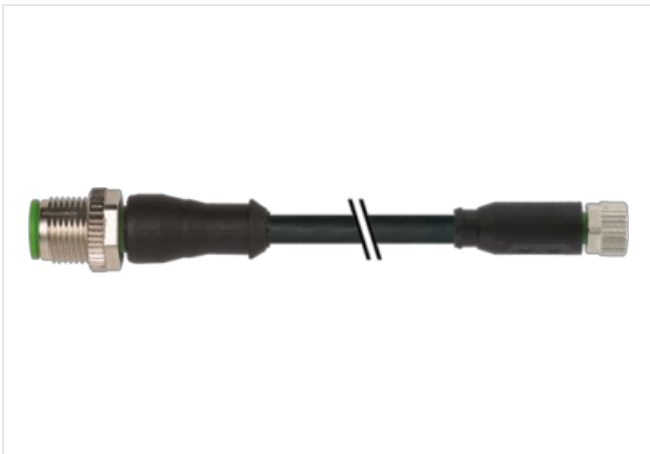
Plastic housings with good resistance against chemicals and oils.

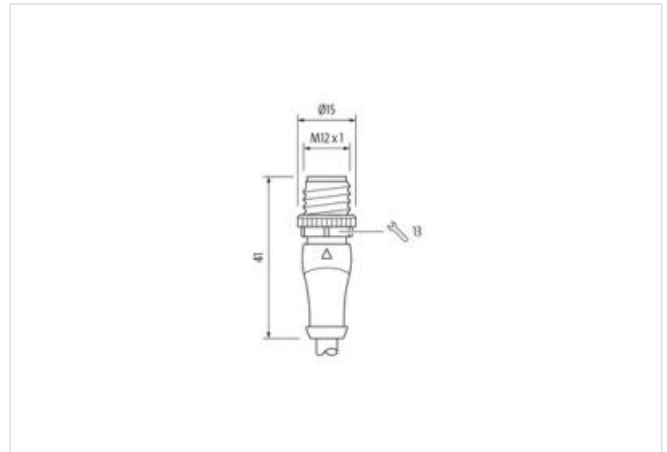
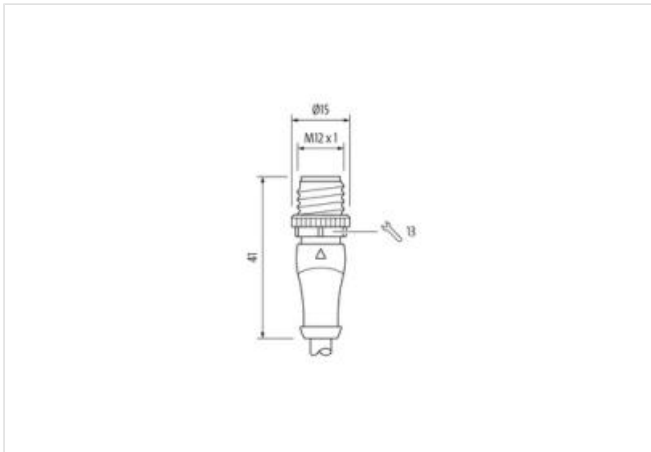
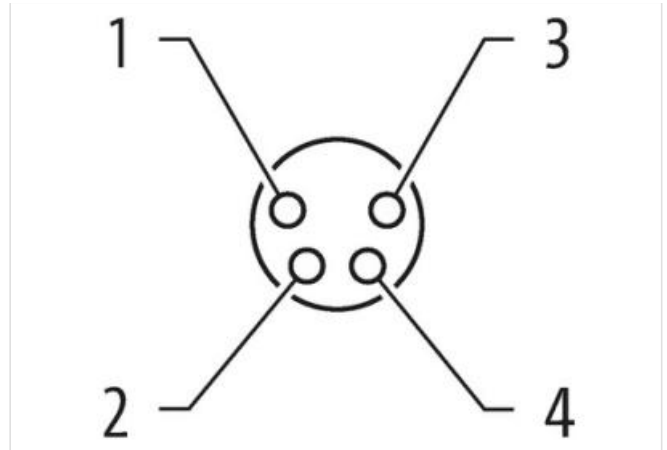
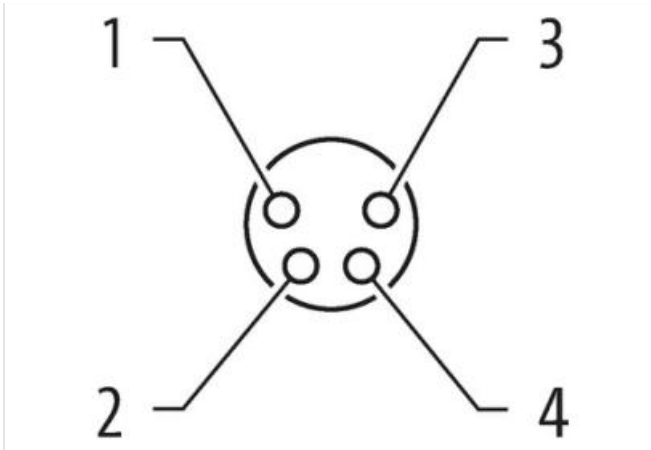
The resistance to aggressive media should be individually tested for your application. Further details on request.

The resistance to aggressive media should be individually tested for your application. Further details on request.

Further cable lengths on request.

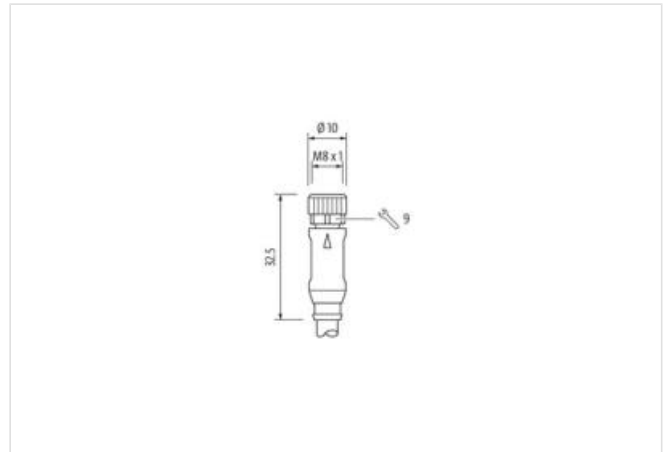
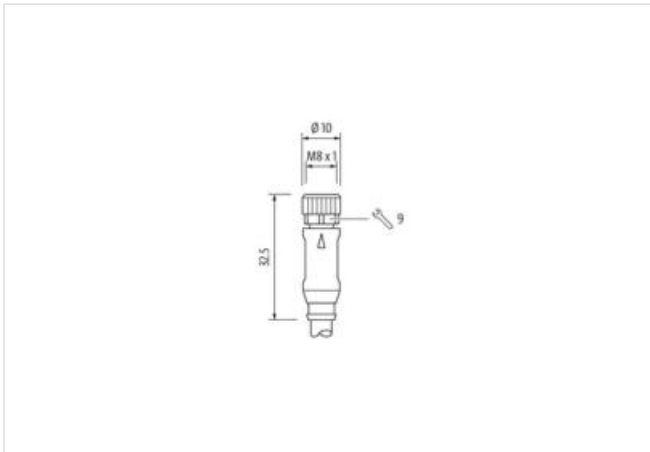
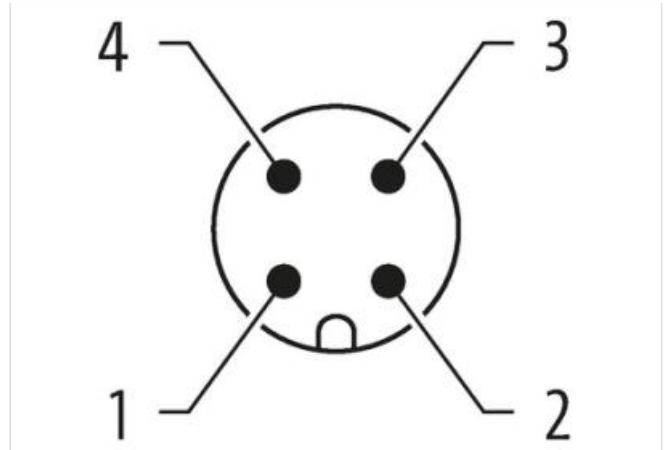
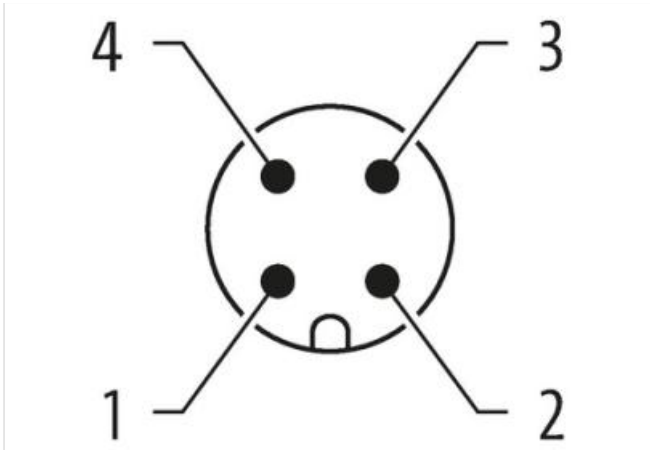
Further cable lengths on request.

[Link to Product](#)**Illustration**



|   |    |     |
|---|----|-----|
| 1 | BN | C 1 |
| 2 | WH | C 2 |
| 3 | BU | C 3 |
| 4 | BK | C 4 |

|   |    |     |
|---|----|-----|
| 1 | BN | C 1 |
| 2 | WH | C 2 |
| 3 | BU | C 3 |
| 4 | BK | C 4 |



Product may differ from Image



|   |                   |
|---|-------------------|
| Cable length                              | 4 m               |
| Cable length                              | 4 m               |
| <b>Side 1</b>                             |                   |
| Tightening torque                         | 0,6 Nm            |
| Tightening torque                         | 0,6 Nm            |
| Mounting method                           | inserted, screwed |
| Mounting method                           | inserted, screwed |
| Family construction form                  | M12               |
| Family construction form                  | M12               |
| Thread                                    | M12 x 1           |
| Thread                                    | M12 x 1           |
| suitable for corrugated tube (internal Ø) | 10 mm             |
| suitable for corrugated tube (internal Ø) | 10 mm             |
| Gender                                    | male              |

|                                     |                   |
|-------------------------------------|-------------------|
| Gender                              | male              |
| Cable outlet                        | straight          |
| Cable outlet                        | straight          |
| Coding                              | A                 |
| Coding                              | A                 |
| Material contact                    | Copper alloy      |
| Material contact                    | Copper alloy      |
| Material                            | PUR               |
| Material                            | PUR               |
| No. of poles                        | 4                 |
| No. of poles                        | 4                 |
| Width across flats                  | SW13              |
| Width across flats                  | SW13              |
| Degree of protection (EN IEC 60529) | IP65, IP66K, IP67 |
| Degree of protection (EN IEC 60529) | IP65, IP66K, IP67 |

**Side 2**

|   |                   |
|---|-------------------|
| Tightening torque                         | 0,4 Nm            |
| Tightening torque                         | 0,4 Nm            |
| Mounting method                           | inserted, screwed |
| Mounting method                           | inserted, screwed |
| Family construction form                  | M8                |
| Family construction form                  | M8                |
| Thread                                    | M8 x 1            |
| Thread                                    | M8 x 1            |
| Gender                                    | female            |
| Gender                                    | female            |
| suitable for corrugated tube (internal Ø) | 6,5 mm            |
| suitable for corrugated tube (internal Ø) | 6,5 mm            |
| Cable outlet                              | straight          |
| Cable outlet                              | straight          |
| Coding                                    | A                 |
| Coding                                    | A                 |
| Material contact                          | Copper alloy      |
| Material contact                          | Copper alloy      |
| Material                                  | PUR               |
| Material                                  | PUR               |
| No. of poles                              | 4                 |
| No. of poles                              | 4                 |
| Width across flats                        | SW9               |
| Width across flats                        | SW9               |
| Degree of protection (EN IEC 60529)       | IP65, IP66K, IP67 |
| Degree of protection (EN IEC 60529)       | IP65, IP66K, IP67 |

**Commercial data**

|            |          |
|------------|----------|
| ECLASS-6.0 | 27279218 |
| ECLASS-6.0 | 27279218 |
| ECLASS-6.1 | 27279218 |
| ECLASS-6.1 | 27279218 |
| ECLASS-7.0 | 27279218 |
| ECLASS-7.0 | 27279218 |
| ECLASS-8.0 | 27279218 |
| ECLASS-8.0 | 27279218 |
| ECLASS-9.0 | 27060311 |
| ECLASS-9.0 | 27060311 |

|                       |               |
|-----------------------|---------------|
| ECLASS-10.1           | 27060311      |
| ECLASS-10.1           | 27060311      |
| ECLASS-11.1           | 27060311      |
| ECLASS-11.1           | 27060311      |
| ECLASS-12.0           | 27060311      |
| ECLASS-12.0           | 27060311      |
| ETIM-5.0              | EC001855      |
| ETIM-5.0              | EC001855      |
| customs tariff number | 85444290      |
| GTIN                  | 4048879907392 |
| Packaging unit        | 1             |

**Electrical data | Supply**

|                                    |      |
|------------------------------------|------|
| Operating voltage AC max.          | 50 V |
| Operating voltage AC max.          | 50 V |
| Operating voltage DC max.          | 60 V |
| Operating voltage DC max.          | 60 V |
| Operating voltage AC (UL-listed)   | 30 V |
| Operating voltage AC (UL-listed)   | 30 V |
| Operating voltage DC (UL-listed)   | 30 V |
| Operating voltage DC (UL-listed)   | 30 V |
| Current operating per contact max. | 4 A  |
| Current operating per contact max. | 4 A  |

**Diagnostics**

|                       |    |
|-----------------------|----|
| Status indication LED | no |
| Status indication LED | no |

**Device protection | Electrical**

|  |                   |
|--|-------------------|
| Additional condition protection degree | inserted, screwed |
| Additional condition protection degree | inserted, screwed |
| Pollution Degree                       | 3                 |
| Pollution Degree                       | 3                 |
| Rated surge voltage                    | 1,5 kV            |
| Rated surge voltage                    | 1,5 kV            |
| Material group (IEC 60664-1)           | I                 |
| Material group (IEC 60664-1)           | I                 |

**Mechanical data | Material data**

|                           |                  |
|---------------------------|------------------|
| Coating locking           | Nickeled         |
| Coating locking           | Nickeled         |
| Coating of fitting        | nickel plated    |
| Coating of fitting        | nickel plated    |
| Material gasket           | FKM              |
| Material gasket           | FKM              |
| Locking material          | Zinc die-casting |
| Locking material          | Zinc die-casting |
| Material screw connection | Zinc die-casting |
| Material screw connection | Zinc die-casting |

**Mechanical data | Mounting data**

|                 |                                       |
|-----------------|---------------------------------------|
| Mounting method | inserted, screwed, Shaking protection |
| Mounting method | inserted, screwed, Shaking protection |

**Environmental characteristics | Climatic**

|                            |        |
|----------------------------|--------|
| Operating temperature min. | -25 °C |
| Operating temperature min. | -25 °C |
| Operating temperature max. | 85 °C  |

|  |                            |
|--|----------------------------|
| Operating temperature max.             | 85 °C                      |
| Additional condition temperature range | depending on cable quality |
| Additional condition temperature range | depending on cable quality |

#### Important installation notes

|                        |   |
|------------------------|---|
| Note on strain relief  | Protect the connectors by suitable measures from mechanical loads, e.g. by the usage of cable ties.   |
| Note on strain relief  | Protect the connectors by suitable measures from mechanical loads, e.g. by the usage of cable ties.   |
| Note on bending radius | <b>Attention:</b> Observe the permissible bending radii when laying cables, as the IP protection class can be endangered by excessive bending forces. |
| Note on bending radius | <b>Attention:</b> Observe the permissible bending radii when laying cables, as the IP protection class can be endangered by excessive bending forces. |

#### Conformity

|                  |   |
|------------------|---|
| Product standard | DIN EN 61076-2-101 (M12), DIN EN 61076-2-104 (M8) |
| Product standard | DIN EN 61076-2-101 (M12), DIN EN 61076-2-104 (M8) |

#### Installation | Cable

|  |  |
|--|--|
| wire arrangement                         | brown, black, blue, white                                      |
| wire arrangement                         | brown, black, blue, white                                      |
| Cable identification                     | 645  |
| Cable identification                     | 645  |
| Cable Type                               | 3  |
| Cable Type                               | 3  |
| Jacket Color                             | black  |
| Jacket Color                             | black  |
| Type of Certificate                      | cURus  |
| Type of Certificate                      | cURus  |
| Amount stranding                         | 1  |
| Amount stranding                         | 1  |
| Stranding                                | 4 wires twisted  |
| Stranding                                | 4 wires twisted  |
| wire arrangement                         | brown, black, blue, white                                      |
| wire arrangement                         | brown, black, blue, white                                      |
| Cable weight                             | 33,55 g/m  |
| Cable weight                             | 33,55 g/m  |
| Material jacket                          | PUR  |
| Material jacket                          | PUR  |
| Shore hardness jacket                    | 90 ± 5 Shore A   |
| Shore hardness jacket                    | 90 ± 5 Shore A   |
| Freedom from ingredients (jacket)        | lead-free, cadmium-free, CFC-free, halogen-free, silicone-free |
| Freedom from ingredients (jacket)        | lead-free, cadmium-free, CFC-free, halogen-free, silicone-free |
| Outer-diameter (jacket)                  | 5 mm   |
| Outer-diameter (jacket)                  | 5 mm   |
| Tolerance outer diameter (sheath)        | ± 5 %  |
| Tolerance outer diameter (sheath)        | ± 5 %  |
| Material wire insulation                 | PP   |
| Material wire insulation                 | PP   |
| Amount wires                             | 4  |
| Amount wires                             | 4  |
| Outer diameter insulation                | 1,35 mm  |
| Outer diameter insulation                | 1,35 mm  |
| Outer diameter tolerance core insulation | ± 5 %  |
| Outer diameter tolerance core insulation | ± 5 %  |
| Shore hardness wire insulation           | 65 ± 5 Shore D   |
| Shore hardness wire insulation           | 65 ± 5 Shore D   |
| Ingredient freeness wire insulation      | lead-free, cadmium-free, CFC-free, halogen-free, silicone-free |
| Ingredient freeness wire insulation      | lead-free, cadmium-free, CFC-free, halogen-free, silicone-free |

|   |  |
|---|--|
| Amount strands (wire)                             | 32   |
| Amount strands (wire)                             | 32   |
| Diameter of single wires                          | 0,1 mm   |
| Diameter of single wires                          | 0,1 mm   |
| Conductor crosssection (wire)                     | 0,25 mm <sup>2</sup>                                 |
| Conductor crosssection (wire)                     | 0,25 mm <sup>2</sup>                                 |
| Material conductor wire                           | Stranded copper wire, bare                           |
| Material conductor wire                           | Stranded copper wire, bare                           |
| Conductor type (wire)                             | strand class 6                                       |
| Conductor type (wire)                             | strand class 6                                       |
| Nominal voltage AC max.                           | 600 V  |
| Nominal voltage AC max.                           | 600 V  |
| Current load capacity (standard)                  | to DIN VDE 0298-4                                    |
| Current load capacity (standard)                  | to DIN VDE 0298-4                                    |
| Current load capacity min. wire                   | 3,6 A  |
| Current load capacity min. wire                   | 3,6 A  |
| Electrical resistance line constant wire          | 79 Ω/km @ 20 °C                                      |
| Electrical resistance line constant wire          | 79 Ω/km @ 20 °C                                      |
| AC withstand voltage (wire - wire)                | 6 kV @ 60 s  |
| AC withstand voltage (wire - wire)                | 6 kV @ 60 s  |
| Power frequency withstand voltage (wire - jacket) | 6 kV @ 60 s  |
| Power frequency withstand voltage (wire - jacket) | 6 kV @ 60 s  |
| Min. operating temperature (static)               | -40 °C   |
| Min. operating temperature (static)               | -40 °C   |
| Max. operating temperature (fixed)                | 90 °C  |
| Max. operating temperature (fixed)                | 90 °C  |
| Operating temperature min. (dynamic)              | -25 °C   |
| Operating temperature min. (dynamic)              | -25 °C   |
| Operating temperature max. (dynamic)              | 90 °C  |
| Operating temperature max. (dynamic)              | 90 °C  |
| UV resistance                                     | DIN EN ISO 4892-2 A                                  |
| UV resistance                                     | DIN EN ISO 4892-2 A                                  |
| Flame resistance                                  | IEC 60332-2-2   UL 1581 § 1100 FT2   UL 1581 § 1090  |
| Flame resistance                                  | IEC 60332-2-2   UL 1581 § 1100 FT2   UL 1581 § 1090  |
| chemical resistance                               | Good, application-related testing                    |
| chemical resistance                               | Good, application-related testing                    |
| Gasoline resistance                               | Good, application-related testing                    |
| Gasoline resistance                               | Good, application-related testing                    |
| Oil resistance                                    | DIN EN 60811-404   Good, application-related testing |
| Oil resistance                                    | DIN EN 60811-404   Good, application-related testing |
| Bending radius (fixed)                            | 5 x Outer diameter                                   |
| Bending radius (fixed)                            | 5 x Outer diameter                                   |
| Bending radius (dynamic)                          | 10 x Outer diameter                                  |
| Bending radius (dynamic)                          | 10 x Outer diameter                                  |
| No. of bending cycles (C-track)                   | 5 Mio. @ 25 °C                                       |
| No. of bending cycles (C-track)                   | 5 Mio. @ 25 °C                                       |
| Traversing distance (C-track)                     | 5 m @ 25 °C   horizontal                             |
| Traversing distance (C-track)                     | 5 m @ 25 °C   horizontal                             |
| Travel speed (C-track)                            | 3,3 m/s @ 25 °C                                      |
| Travel speed (C-track)                            | 3,3 m/s @ 25 °C                                      |
| No. of torsion cycles                             | 2 Mio.   |
| No. of torsion cycles                             | 2 Mio.   |
| Torsion stress                                    | ± 180 °/m  |

The information in this Product-PDF has been compiled with the utmost care.

Liability for the correctness completeness and topicality of the information is restricted to gross negligence. Version: 2024-06-23

|                |               |
|----------------|---------------|
| Torsion stress | $\pm 180$ °/m |
| Torsion speed  | 35 cycles/min |
| Torsion speed  | 35 cycles/min |