

**SVS VALVE PLUG FORM BI 11MM FIELD-WIREABLE**

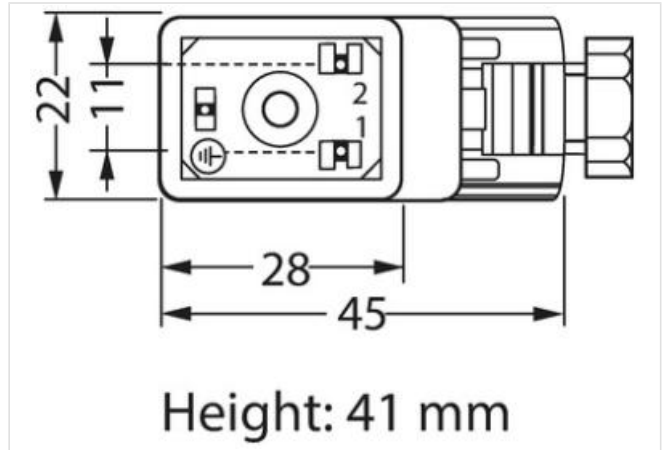
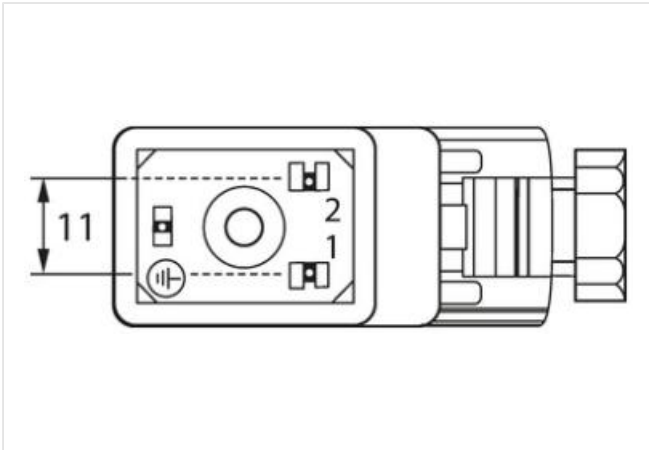
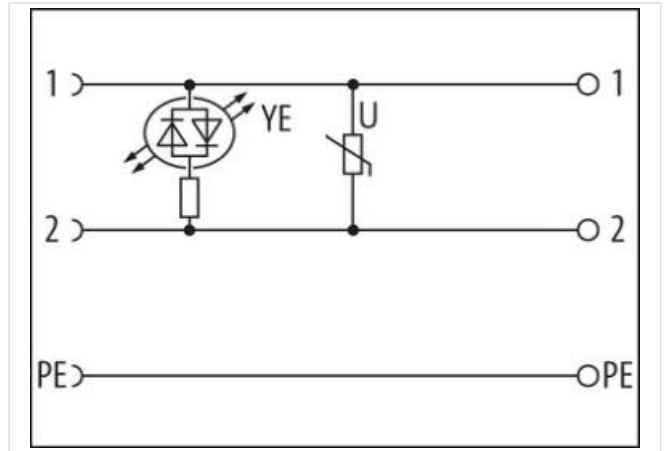
230V LED+VDR PG9

Form BI (11 mm)  
230 V AC/DC ±10%  
LED and VDR  
PG9

Plastic housings with good resistance against chemicals and oils.  
The resistance to aggressive media should be individually tested for your application. Further details on request.

**제품 링크**

**일러스트**



실제 제품은 이미지와 다를 수 있습니다.

**Side 1**

Degree of protection (EN IEC 60529) IP65

**제품자료**

ECLASS-6.0	27279221
ECLASS-7.0	27440104
ECLASS-8.0	27440104
ECLASS-9.0	27440102
ETIM-5.0	EC002062
GTIN	4048879187084

세번부호	85366990
------	----------

포장단위	1
------	---

**Electrical data**

Capacity CX	15 ms
-------------	-------

Holding power max.	100 W
--------------------	-------

**Electrical data | Supply**

Operating voltage AC	230 V
----------------------	-------

Operating voltage AC min.	207 V
---------------------------	-------

Operating voltage AC max.	253 V
---------------------------	-------

Operating voltage DC	230 V
----------------------	-------

Operating voltage DC min.	207 V
---------------------------	-------

Operating voltage DC max.	253 V
---------------------------	-------

Cut-off peak voltage max.	450 V
---------------------------	-------

Current consumption max.	12 mA
--------------------------	-------

**Diagnostics**

Status indication LED	yellow
-----------------------	--------

**Installation**

Connection cross section max.	1,5 mm <sup>2</sup>
-------------------------------	---------------------

**Installation | Connection**

Tightening torque	0,4 Nm
-------------------	--------

Mounting set	M3
--------------	----

**Device protection | Electrical**

Additional condition protection degree	inserted, locked, with screw connection
--	---

**Mechanical data | Mounting data**

Mounting method	PG9
-----------------	-----

Clamping range min.	6 mm
---------------------	------

Clamping range max.	8 mm
---------------------	------

**Environmental characteristics | Climatic**

Operating temperature min.	-20 °C
----------------------------	--------

Operating temperature max.	60 °C
----------------------------	-------