

**M12 male 0° Y-cod. with cable shielded**

PUR AWG20/26 shielded bk UL/CSA+drag ch. 4m

Ethernet CAT5

Male straight

M12, 8-pole

Y-coded

shielded

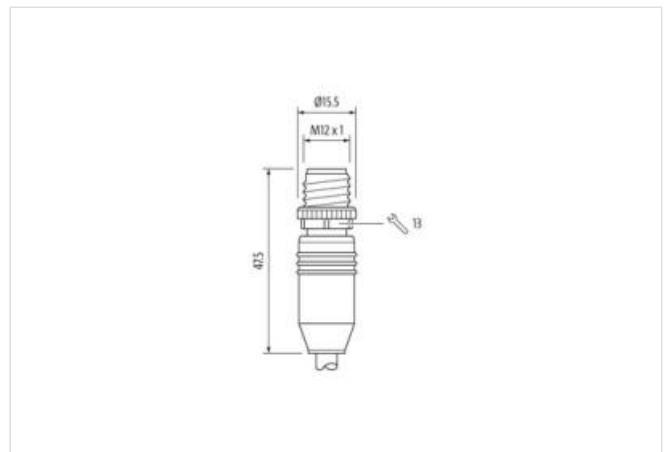
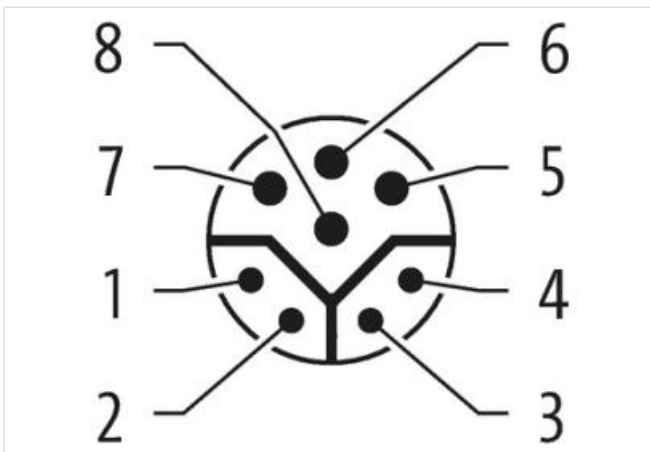
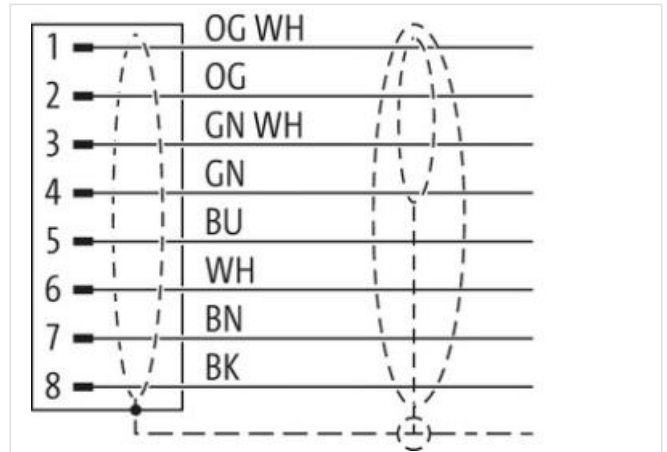
Further cable lengths on request.

Plastic housings with good resistance against chemicals and oils.

The resistance to aggressive media should be individually tested for your application. Further details on request.

**제품 링크**

**일러스트**



실제 제품은 이미지와 다를 수 있습니다.



Cable length 4 m

Side 1

|                                     |                   |
|-------------------------------------|-------------------|
| Tightening torque                   | 0,6 Nm            |
| Mounting method                     | inserted, screwed |
| Family construction form            | M12               |
| Thread                              | M12 x 1           |
| Coding                              | Y                 |
| Material                            | PUR               |
| Width across flats                  | SW13              |
| Degree of protection (EN IEC 60529) | IP67              |

**제품자료**

|             |               |
|-------------|---------------|
| ECLASS-6.0  | 27279218      |
| ECLASS-6.1  | 27060307      |
| ECLASS-7.0  | 27060307      |
| ECLASS-8.0  | 27060307      |
| ECLASS-9.0  | 27060307      |
| ECLASS-10.1 | 27060307      |
| ECLASS-11.1 | 27060307      |
| ECLASS-12.0 | 27060307      |
| ETIM-5.0    | EC001855      |
| GTIN        | 4048879797481 |
| 세번부호        | 85444290      |
| 포장단위        | 1             |

**Electrical data | Supply**

|  |       |
|--|-------|
| Operating voltage AC max.                | 50 V  |
| Operating voltage DC max.                | 50 V  |
| Operating voltage AC (UL-listed)         | 30 V  |
| Operating voltage DC (UL-listed)         | 30 V  |
| Current operating per contact (UL)       | 3,3 A |
| Operating current per data contact max.  | 0,5 A |
| Operating current per power contact max. | 6 A   |

**Industrial communication**

|                             |  |
|-----------------------------|--|
| Transfer parameters         | CAT5, Class D (ISO/IEC 11801:2002), (EN 50173-1) |
| Data transmission rate max. | 100 MBit/s                                       |

**Industrial communication | Ethernet functionality**

|        |             |
|--------|-------------|
| duplex | Full duplex |
|--------|-------------|

**Installation | Connection**

|              |         |
|--------------|---------|
| Mounting set | M12 x 1 |
|--------------|---------|

**Device protection | Electrical**

|  |                   |
|--|-------------------|
| Additional condition protection degree | inserted, screwed |
| Pollution Degree                       | 3                 |
| Rated surge voltage                    | 0,8 kV            |
| Material group (IEC 60664-1)           | I                 |

**Mechanical data | Material data**

|                           |                  |
|---------------------------|------------------|
| Coating locking           | Nickeled         |
| Coating of fitting        | nickel plated    |
| Locking material          | Zinc die-casting |
| Material screw connection | Zinc die-casting |

**Mechanical data | Mounting data**

|                 |                                       |
|-----------------|---------------------------------------|
| Mounting method | inserted, screwed, Shaking protection |
|-----------------|---------------------------------------|

**Environmental characteristics | Climatic**

|                            |        |
|----------------------------|--------|
| Operating temperature min. | -25 °C |
|----------------------------|--------|

|  |                            |
|--|----------------------------|
| Operating temperature max.             | 85 °C                      |
| Additional condition temperature range | depending on cable quality |

#### Important installation notes

|                        |   |
|------------------------|---|
| Note on strain relief  | Protect the connectors by suitable measures from mechanical loads, e.g. by the usage of cable ties.   |
| Note on bending radius | <b>Attention:</b> Observe the permissible bending radii when laying cables, as the IP protection class can be endangered by excessive bending forces. |

#### Conformity

|                  |                          |
|------------------|--------------------------|
| Product standard | DIN EN 61076-2-101 (M12) |
|------------------|--------------------------|

#### Installation | Cable

|   |   |
|---|---|
| wire arrangement                                | black, brown, white, blue, (orange-white, green, orange, green-white) |
| Cable identification                            | 805   |
| Jacket Color                                    | black   |
| Type of Certificate                             | cURus   |
| Amount stranding                                | 1   |
| Stranding                                       | 4 wires around 1 Filler twisted                                       |
| Amount stranding (type 2)                       | 1   |
| Stranding (type 2)                              | 4 wires around Stranding combination with Filler twisted              |
| Cable shielding (type)                          | copper braid, tinned  |
| Cable shielding (coverage)                      | 85 %  |
| Pair shielding (type)                           | copper braid, tinned  |
| Banding   | Fleece, Foil  |
| Filler  | yes   |
| wire arrangement                                | black, brown, white, blue, (orange-white, green, orange, green-white) |
| Cable weight                                    | 107,8 g/m   |
| Material jacket                                 | PUR   |
| Shore hardness jacket                           | 90 ± 5 Shore A  |
| Freedom from ingredients (jacket)               | lead-free, cadmium-free, CFC-free, halogen-free, silicone-free        |
| Outer-diameter (jacket)                         | 8,1 mm  |
| Tolerance outer diameter (sheath)               | ± 5 %   |
| Material wire insulation                        | PP  |
| Amount wires                                    | 4   |
| Outer diameter insulation                       | 1,5 mm  |
| Outer diameter tolerance core insulation        | ± 5 %   |
| Shore hardness wire insulation                  | 55 ± 5 Shore D  |
| Ingredient freeness wire insulation             | lead-free, cadmium-free, CFC-free, halogen-free, silicone-free        |
| Amount strands (wire)                           | 19  |
| Diameter of single wires                        | 20 AWG  |
| Conductor crosssection (wire)                   | 20 AWG  |
| Material conductor wire                         | Stranded copper wire, bare  |
| Material wire insulation (Data)                 | PP  |
| Outer diameter wire insulation (Data)           | 1,1 mm  |
| Tolerance outer diameter wire insulation (data) | ± 5 %   |
| Shore hardness wire insulation (Data)           | 55 ± 5 Shore D  |
| Ingredient freeness wire insulation (Data)      | lead-free, cadmium-free, CFC-free, halogen-free, silicone-free        |
| Amount wires (Data)                             | 4   |
| Amount strands wire (Data)                      | 19  |
| Diameter of single wires (Data)                 | 26 AWG  |
| Conductor crosssection wire (Data)              | 26 AWG  |
| Material conductor wire (Data)                  | Stranded copper wire, bare  |
| Nominal voltage AC max.                         | 60 V  |
| Current load capacity (standard)                | to DIN VDE 0298-4   |
| Current load capacity min. wire                 | 5,9 A   |
| Current load capacity min. Wire (Data)          | 2 A   |

|   |  |
|---|--|
| Characteristic impedance                          | 100 Ω ± 15 % @ 1 MHz                                 |
| Electrical resistance line constant wire          | 35 Ω/km  |
| Electrical resistance coating wire (Data)         | 140 Ω/km   |
| AC withstand voltage (wire - wire)                | 1 kV @ 60 s  |
| Electrical capacity line constant (wire - wire)   | 52000 pF/km  |
| Power frequency withstand voltage (wire - jacket) | 1 kV @ 60 s  |
| AC withstand voltage (wire - shield)              | 1 kV @ 60 s  |
| Isolation resistance                              | 5000 MΩ  |
| Min. operating temperature (static)               | -50 °C   |
| Max. operating temperature (fixed)                | 80 °C / 90 °C @ 10000 h Operation                    |
| Operating temperature min. (dynamic)              | -40 °C   |
| Operating temperature max. (dynamic)              | 80 °C / 90 °C @ 10000 h Operation                    |
| Flame resistance                                  | UL 1581 § 1090   UL 1581 § 1100 FT2   IEC 60332-2-2  |
| chemical resistance                               | Good, application-related testing                    |
| Gasoline resistance                               | Good, application-related testing                    |
| Oil resistance                                    | DIN EN 60811-404   Good, application-related testing |
| Bending radius (installation)                     | x Outer diameter                                     |
| Bending radius (fixed)                            | 5 x Outer diameter                                   |
| Bending radius (dynamic)                          | 10 x Outer diameter                                  |
| No. of bending cycles (C-track)                   | 5 Mio.   |
| Traversing distance (C-track)                     | 5 m  |
| Travel speed (C-track)                            | 3,3 m/s  |
| No. of torsion cycles                             | 2 Mio.   |
| Torsion stress                                    | ± 30 °/m   |
| Torsion speed                                     | 35 cycles/min  |