

M12 male 0° A-cod. screw terminal5-pol., max. 0,75mm², 4 - 6mm, shielded

Art.No.: 7000-13301-0000000

Weight: 0.051 kg

Country of origin: HU

Model designation: MSAL0-U-ZS-SW18 (4-6mm)

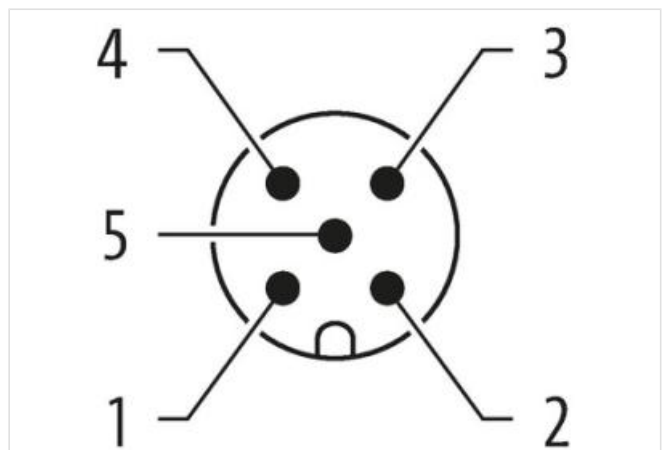
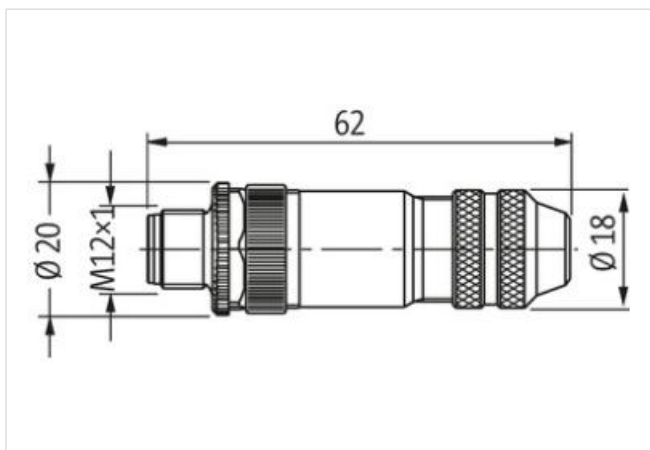
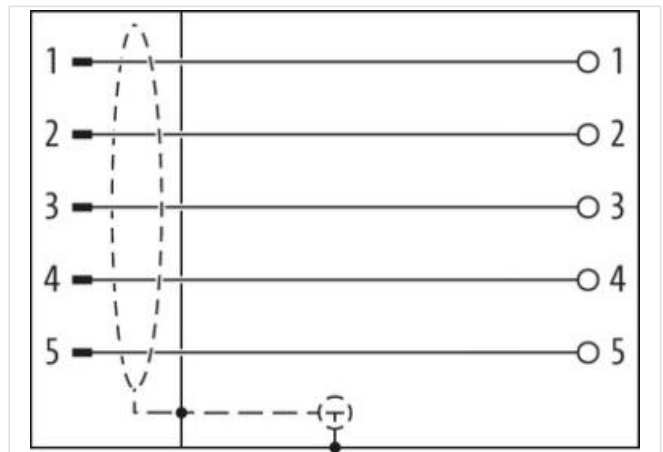
Male straight

M12, 5-pole

shielded

Screw terminals

Sealing range (cable Ø): 4...6 mm

[Link to Product](#)**Illustration**

Product may differ from Image

Side 1

Family construction form	M12
Degree of protection (EN IEC 60529)	IP67

Commercial data

ECLASS-6.0	27279221
ECLASS-6.1	27260702
ECLASS-7.0	27440102

ECLASS-8.0	27440102
ECLASS-9.0	27440116
ECLASS-10.1	27440102
ECLASS-11.1	27440102
ECLASS-12.0	27440116
ETIM-5.0	EC002635
customs tariff number	85366990
customs tariff number	85366990
customs tariff number	85366990
EAN	4048879198844
EAN	4048879198844
EAN	4048879198844
Packaging unit	1
Packaging unit	1
Packaging unit	1

Electrical data | Supply

Operating voltage AC max.	60 V
Operating voltage DC max.	60 V
Current operating per contact max.	4 A

Installation

Connection cross section max.	0,75 mm ²
-------------------------------	----------------------

Device protection | Electrical

Additional condition protection degree	inserted, screwed
--	-------------------

Mechanical data | Material data

Material housing	Brass
Coating housing	nickel plated

Mechanical data | Mounting data

Clamping range min.	4 mm
Clamping range max.	6 mm

Environmental characteristics | Climatic

Operating temperature min.	-40 °C
Operating temperature max.	85 °C

Important installation notes

Note on strain relief	Protect the connectors by suitable measures from mechanical loads, e.g. by the usage of cable ties.
Note on bending radius	Attention: Observe the permissible bending radii when laying cables, as the IP protection class can be endangered by excessive bending forces.