

**M12 female 0° A-cod. with cable**

PUR 5x0.34 bk UL/CSA 50m

**⚠ NOTICE ⚠****PRODUCT IS DISCONTINUED. PLEASE HAVE A LOOK AT THE ALTERNATIVE PRODUCTS.**

Female straight

M12, 5-pole

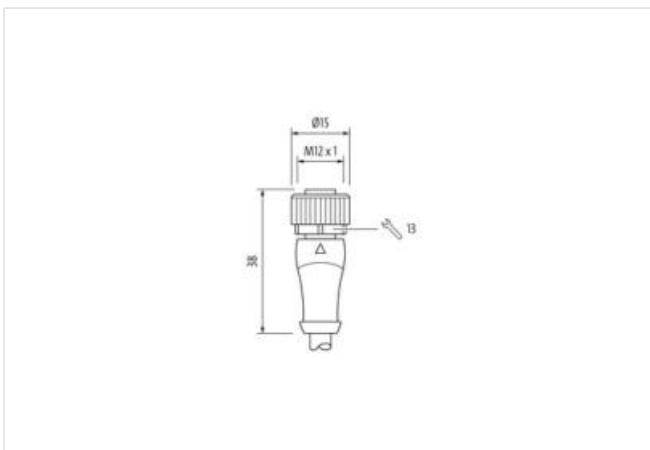
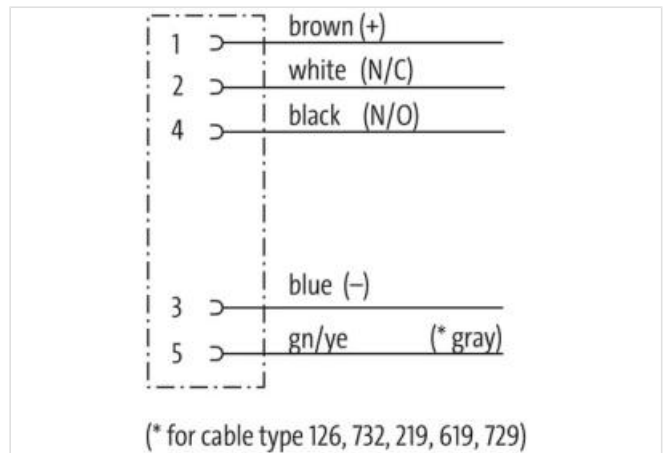
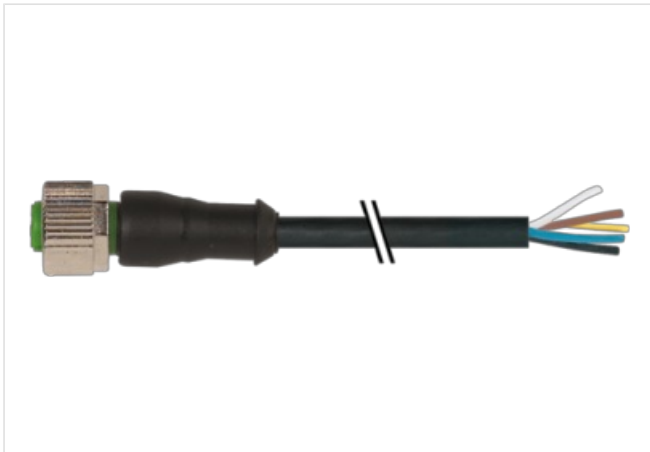
A-coded

Art-No. 7005 - M12 Lite - (plastic hexagonal screw) on request

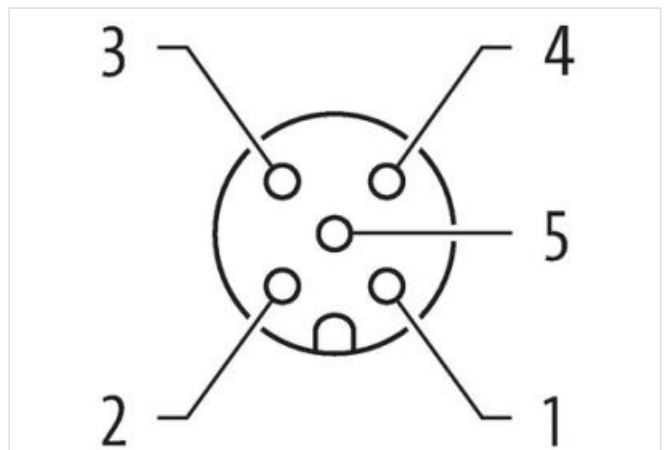
Plastic housings with good resistance against chemicals and oils.

The resistance to aggressive media should be individually tested for your application. Further details on request.

Further cable lengths on request.

**[Link do produto](#)****Ilustração**

Produto pode diferir da imagem



Cable length	50 m
--------------	------

**Side 1**

Tightening torque	0,6 Nm
Mounting method	inserted, screwed
Coating contact	gold plated
Family construction form	M12
Thread	M12 x 1
suitable for corrugated tube (internal Ø)	10 mm
Coding	A
Material contact	Copper alloy
Material	PUR
No. of poles	5
Width across flats	SW13
Degree of protection (EN IEC 60529)	IP65, IP66K, IP67

**Side 2**

Stripping length (jacket)	20 mm
Coating contact	gold plated

**Dados comerciais**

ECLASS-6.0	27279218
ECLASS-6.1	27279218
ECLASS-7.0	27279218
ECLASS-8.0	27279218
ECLASS-9.0	27060311
ECLASS-10.1	27060311
ECLASS-11.1	27060311
ECLASS-12.0	27060311
ETIM-5.0	EC001855
Classificação fiscal	85444290
GTIN	4048879548915
Quantidade por embalagem	1

**Electrical data | Supply**

Operating voltage AC max.	125 V
Operating voltage DC max.	125 V
Operating voltage AC (UL-listed)	30 V
Operating voltage DC (UL-listed)	30 V
Current operating per contact max.	4 A

**Diagnostics**

Status indication LED	no
-----------------------	----

**Installation | Connection**

Stripping length (jacket)	20 mm
Mounting set	M12 x 1

**Device protection | Electrical**

Additional condition protection degree	inserted, screwed
Pollution Degree	3
Rated surge voltage	1,5 kV
Material group (IEC 60664-1)	I

**Mechanical data | Material data**

Coating locking	Nickel
Coating of fitting	nickel plated
Material gasket	FKM
Locking material	Zinc die-casting

Material screw connection                      Zinc die-casting

#### Mechanical data | Mounting data

Mounting method                                  inserted, screwed, Shaking protection

#### Environmental characteristics | Climatic

Operating temperature min.                      -25 °C

Operating temperature max.                      85 °C

Additional condition temperature range        depending on cable quality

#### Conformity

Product standard                                  DIN EN 61076-2-101 (M12)

#### Cable

Cable identification                                  625

Cable Type    2 (PUR/PVC)

Approval (cable)                                  UL (AWM-Style 20549/1731), CSA; CE conform

Cable weight [g/m]                                  54,78 g

Material wire                                        Cu wire, bare

Resistor (core)                                    max. 57 Ω/km (20 °C)

Single wire Ø (core)                              0.1 mm

Construction (core)                              42× 0.1 mm (multi-strand wire class 6)

Diameter (core)                                  5× 0.34 mm<sup>2</sup>

AWG    similar to AWG 22

Material wire isolation                            PVC

Material property wire insulation              CFC-, cadmium-, silicone- and lead-free

Shore hardness wire isolation                  43 ±5 D

Wire-Ø incl. isolation                            1.25 mm ±5%

Color/numbering of wires                      br, bk, bl, wh, gnye longitudinally striped

Stranding combination                          5 wires twisted around central filler

Shield    no

Material jacket                                    PUR/PVC

Material property (jacket)                      CFC-, halogen-, cadmium-, silicone- and lead-free, matt, low-adhesion, machine easy to process, abrasion-resistant, hydrolysis and microbial resistant

Shore hardness jacket                            80 ±5 A (PVC-under jacket); 85 ±5 A (PUR-jacket)

Outer-Ø (jacket)                                  5.0 mm ±5%

Color jacket                                        black

chemical resistance                              good resistance to oil, gasoline and chemicals

Nominal voltage                                  UL 300 V AC

Test voltage                                        2000 V AC

Current load capacity                            to DIN VDE 0298-4

Temperature range (fixed)                      -30...+80 °C

Temperature range (mobile)                    -5...+80 °C

Bending radius (fixed)                          10× outer Ø

Bending radius (dynamic)                      15× outer Ø

No. of bending cycles (C-track)                max. 2 Mio. (25 °C)

Travel speed (C-track)                          max. 3.3 m/s

Acceleration (C-track)                          max. 5 m/s<sup>2</sup>