

**M12 female 0° A-cod. with cable**

PUR 5x0.34 ye UL/CSA 18m

**⚠ NOTICE ⚠**

**PRODUCT IS DISCONTINUED. PLEASE HAVE A LOOK AT THE ALTERNATIVE PRODUCTS.**

Female straight

M12, 5-pole

A-coded

Art-No. 7005 - M12 Lite - (plastic hexagonal screw) on request

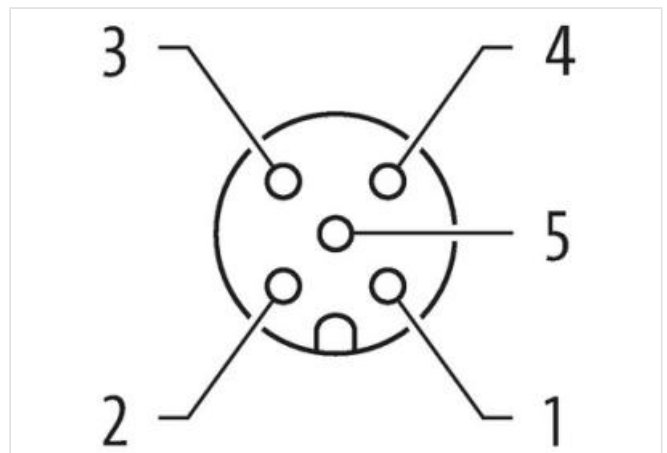
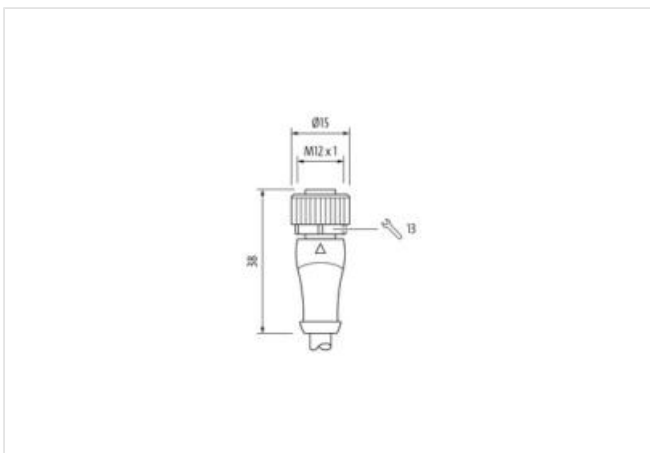
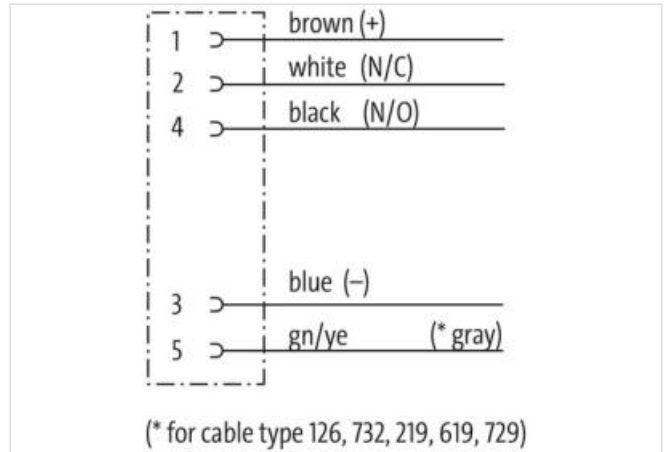
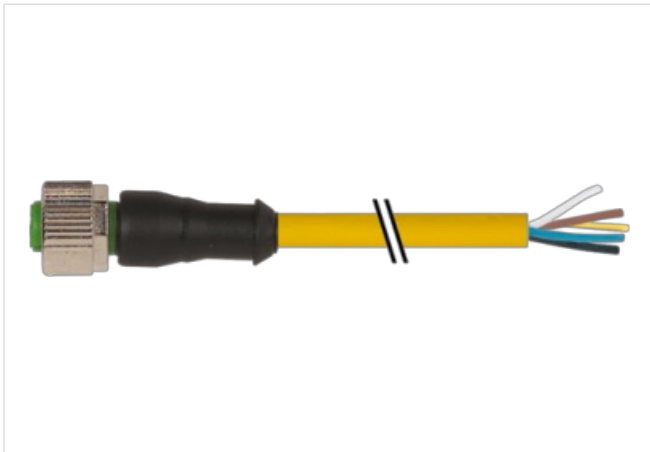
Plastic housings with good resistance against chemicals and oils.

The resistance to aggressive media should be individually tested for your application. Further details on request.

Further cable lengths on request.

**제품 링크**

**일러스트**



실제 제품은 이미지와 다를 수 있습니다.



Cable length	18 m
<b>Side 1</b>	
Tightening torque	0,6 Nm
Mounting method	inserted, screwed
Coating contact	gold plated
Family construction form	M12
Thread	M12 x 1
suitable for corrugated tube (internal Ø)	10 mm
Coding	A
Material contact	Copper alloy
Material	PUR
No. of poles	5
Width across flats	SW13
Degree of protection (EN IEC 60529)	IP65, IP66K, IP67
<b>Side 2</b>	
Stripping length (jacket)	20 mm
Coating contact	gold plated
<b>제품자료</b>	
ECLASS-6.0	27279218
ECLASS-6.1	27279218
ECLASS-7.0	27279218
ECLASS-8.0	27279218
ECLASS-9.0	27060311
ECLASS-10.1	27060311
ECLASS-11.1	27060311
ECLASS-12.0	27060311
ETIM-5.0	EC001855
GTIN	4048879487788
세번부호	85444290
포장단위	1
<b>Electrical data   Supply</b>	
Operating voltage AC max.	125 V
Operating voltage DC max.	125 V
Operating voltage AC (UL-listed)	30 V
Operating voltage DC (UL-listed)	30 V
Current operating per contact max.	4 A
<b>Diagnostics</b>	
Status indication LED	no
<b>Installation   Connection</b>	
Stripping length (jacket)	20 mm
Mounting set	M12 x 1
<b>Device protection   Electrical</b>	
Additional condition protection degree	inserted, screwed
Pollution Degree	3
Rated surge voltage	1,5 kV
Material group (IEC 60664-1)	I
<b>Mechanical data   Material data</b>	
Coating locking	Nickel
Coating of fitting	nickel plated
Material gasket	FKM
Locking material	Zinc die-casting

Material screw connection                      Zinc die-casting

**Mechanical data | Mounting data**

Mounting method                                      inserted, screwed, Shaking protection

**Environmental characteristics | Climatic**

Operating temperature min.                      -25 °C

Operating temperature max.                      85 °C

Additional condition temperature range                      depending on cable quality

**Conformity**

Product standard                                      DIN EN 61076-2-101 (M12)

**Installation | Cable**

Cable identification                                      834

Jacket Color    blue

Type of Certificate                                      cURus

Amount stranding                                      1

Stranding    2 wires twisted

Amount stranding (type 2)                          1

Stranding (type 2)                                      2 Stranded joints twisted

Cable shielding (type)                                  copper braid, tinned

Cable shielding (coverage)                          65 %

Banding    Foil

Drain wire (cross-section)                          22 AWG

wire arrangement                                      (white, blue), (black, red)

Cable weight    63,12 g/m

Material jacket    PUR

Shore hardness jacket                                  90 ± 5 Shore A

Freedom from ingredients (jacket)                      lead-free, cadmium-free, CFC-free, halogen-free, silicone-free

Outer-diameter (jacket)                                  6,9 mm

Tolerance outer diameter (sheath)                      ± 5 %

Material wire insulation                                  PE

Amount wires    2

Outer diameter insulation                                  2,1 mm

Outer diameter tolerance core insulation                      ± 5 %

Shore hardness wire insulation                          64 ± 5 Shore D

Ingredient freeness wire insulation                      lead-free, CFC-free, halogen-free

Amount strands (wire)                                  19

Diameter of single wires                                  24 AWG

Conductor crosssection (wire)                          24 AWG

Drain wire (cross-section)                                  22 AWG

Material conductor wire                                  copper stranded wire, tinned

Electrical function wire                                  Data

Material wire insulation (Data)                          PE

Outer diameter wire insulation (Data)                      1,5 mm

Tolerance outer diameter wire insulation (data)                      ± 53 %

Ingredient freeness wire insulation (Data)                      lead-free, CFC-free, halogen-free

Amount wires (Data)                                      2

Amount strands wire (Data)                                  19

Diameter of single wires (Data)                          22 AWG

Conductor crosssection wire (Data)                          22 AWG

Material conductor wire (Data)                          copper stranded wire, tinned

Electrical function wire (data)                          Power

Traversing distance (C-track)                          5 m

Travel speed (C-track)                                  1 Mio.

Nominal voltage AC max.	300 V
Current load capacity (standard)	to DIN VDE 0298-4
Current load capacity min. wire	4,5 A
Current load capacity min. Wire (Data)	6 A
Electrical function wire	Data
Electrical function wire (data)	Power
Characteristic impedance	120 Ω ± 10 % @ 1 MHz
Electrical resistance line constant wire	78 Ω/km
Electrical resistance coating wire (Data)	54 Ω/km
AC withstand voltage (wire - wire)	2 kV @ 60 s
Electric capacitance	40000 pF/km
AC withstand voltage (wire - shield)	2 kV @ 60 s
Min. operating temperature (static)	-40 °C
Max. operating temperature (fixed)	80 °C
Operating temperature min. (dynamic)	-30 °C
Operating temperature max. (dynamic)	70 °C
Flame resistance	UL 1581 § 1100 FT2   UL 1581 § 1090   IEC 60332-2-2
chemical resistance	Good, application-related testing
Gasoline resistance	Good, application-related testing
Oil resistance	Good, application-related testing   DIN EN 60811-404
Bending radius (installation)	x Outer diameter
Bending radius (fixed)	6 x Outer diameter
Bending radius (dynamic)	10 x Outer diameter
No. of torsion cycles	2 Mio.
Torsion stress	± 30 °/m
Torsion speed	35 cycles/min