

**MSUD valve plug BI-11mm 180° with cable**

PUR 3x0.75 ye UL/CSA 5m

MSUD

Form BI (11 mm)

24 V AC  $\pm 20\%$  / DC  $\pm 25\%$ 

LED and suppression

PE opposite cable entry (180°)

Attention: Contact carrier turned to 180°!

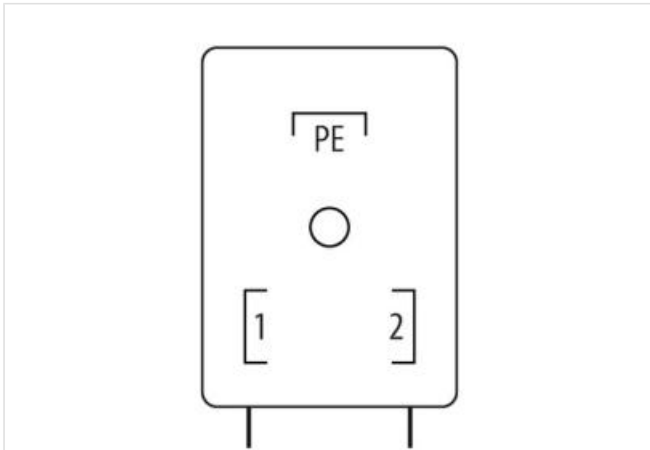
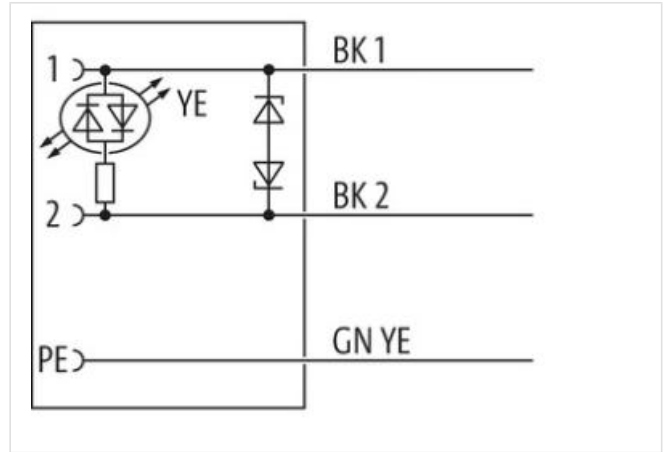
Further cable lengths on request.

Plastic housings with good resistance against chemicals and oils.

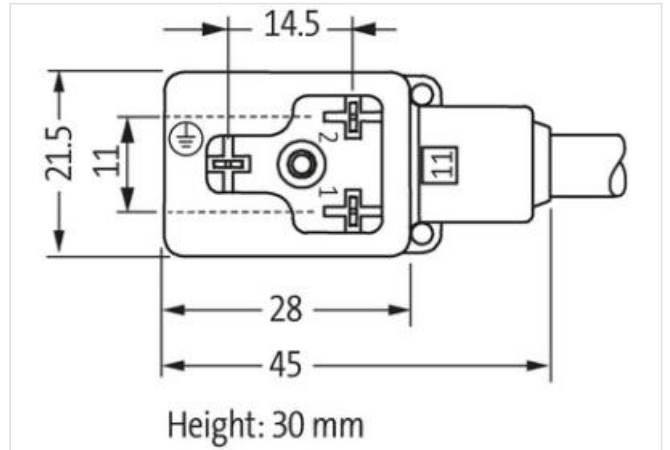
The resistance to aggressive media should be individually tested for your application. Further details on request.

**Ürün Linki**

örnekleme



Ürün Image farklı olabilir



Cable length

5 m

**Side 1**

|                                     |                   |
|-------------------------------------|-------------------|
| Tightening torque                   | 0,4 Nm            |
| Mounting method                     | inserted, screwed |
| Family construction form            | MSUD BI           |
| Thread                              | M3                |
| Material                            | PBT               |
| Degree of protection (EN IEC 60529) | IP67              |

**Ticari bilgiler**

|                         |               |
|-------------------------|---------------|
| ECLASS-6.0              | 27279218      |
| ECLASS-7.0              | 27279218      |
| ECLASS-8.0              | 27279218      |
| ECLASS-9.0              | 27060311      |
| ECLASS-10.1             | 27060312      |
| ECLASS-11.1             | 27060312      |
| ECLASS-12.0             | 27060312      |
| ETIM-5.0                | EC001855      |
| GTIN                    | 4048879220439 |
| Gümrük tarife no (gtip) | 85444290      |
| Paket miktarı           | 1             |

**Electrical data**

|                          |       |
|--------------------------|-------|
| Drop-out delay time max. | 20 ms |
|--------------------------|-------|

**Electrical data | Supply**

|                                    |        |
|------------------------------------|--------|
| Operating voltage AC               | 24 V   |
| Operating voltage AC min.          | 19,2 V |
| Operating voltage AC max.          | 28,8 V |
| Operating voltage DC               | 24 V   |
| Operating voltage DC min.          | 18 V   |
| Operating voltage DC max.          | 30 V   |
| Cut-off peak voltage max.          | 55 V   |
| Current operating per contact max. | 4 A    |
| Current consumption max.           | 15 mA  |

**Diagnostics**

|                       |        |
|-----------------------|--------|
| Status indication LED | yellow |
|-----------------------|--------|

**Installation | Connection**

|              |    |
|--------------|----|
| Mounting set | M3 |
|--------------|----|

**Device protection | Electrical**

|  |                   |
|--|-------------------|
| Additional condition protection degree | inserted, screwed |
| Pollution Degree                       | 3                 |
| Rated surge voltage                    | 0,8 kV            |
| Material group (IEC 60664-1)           | I                 |
| Additional suppressor                  | Diode, Z-Diode    |

**Mechanical data | Material data**

|                           |          |
|---------------------------|----------|
| Coating locking           | verzinkt |
| Coating of fitting        | verzinkt |
| Color housing             | black    |
| Material gasket           | PUR      |
| Locking material          | Steel    |
| Material screw connection | Steel    |

**Mechanical data | Mounting data**

|                 |                   |
|-----------------|-------------------|
| Mounting method | inserted, screwed |
|-----------------|-------------------|

**Environmental characteristics | Climatic**

|  |                            |
|--|----------------------------|
| Operating temperature min.             | -25 °C                     |
| Operating temperature max.             | 85 °C                      |
| Additional condition temperature range | depending on cable quality |

#### Important installation notes

|                        |   |
|------------------------|---|
| Note on strain relief  | Protect the connectors by suitable measures from mechanical loads, e.g. by the usage of cable ties.   |
| Note on bending radius | <b>Attention:</b> Observe the permissible bending radii when laying cables, as the IP protection class can be endangered by excessive bending forces. |

#### Installation | Cable

|  |  |
|--|--|
| wire arrangement                         | black 1, black 2, green-yellow                   |
| Cable identification                     | 026  |
| Cable Type                               | 2  |
| Printing color of wire insulation        | white (isolation black)                          |
| Jacket Color                             | yellow   |
| Type of Certificate                      | cURus  |
| Amount stranding                         | 1  |
| Stranding                                | 3 wires twisted                                  |
| wire arrangement                         | black 1, black 2, green-yellow                   |
| Cable weight                             | 55 g/m   |
| Material jacket                          | PUR  |
| Shore hardness jacket                    | 85 ± 5 Shore A                                   |
| Freedom from ingredients (jacket)        | lead-free, cadmium-free, CFC-free, silicone-free |
| Outer-diameter (jacket)                  | 5,9 mm   |
| Tolerance outer diameter (sheath)        | ± 5 %  |
| Material inner jacket                    | PVC  |
| Color (inner jacket)                     | yellow   |
| Material wire insulation                 | PVC  |
| Amount wires                             | 3  |
| Outer diameter insulation                | 1,8 mm   |
| Outer diameter tolerance core insulation | ± 5 %  |
| Shore hardness wire insulation           | 43 ± 5 Shore D                                   |
| Ingredient freeness wire insulation      | lead-free, cadmium-free, CFC-free, silicone-free |
| Printing color of wire insulation        | white (isolation black)                          |
| Amount strands (wire)                    | 42   |
| Diameter of single wires                 | 0,15 mm  |
| Conductor crosssection (wire)            | 0,75 mm <sup>2</sup>                             |
| Material conductor wire                  | Stranded copper wire, bare                       |
| Conductor type (wire)                    | strand class 6                                   |
| Nominal voltage AC max.                  | 300 V  |
| Current load capacity (standard)         | to DIN VDE 0298-4                                |
| Current load capacity min. wire          | 9,6 A  |
| Electrical resistance line constant wire | 26 Ω/km @ 20 °C                                  |
| Min. operating temperature (static)      | -30 °C   |
| Max. operating temperature (fixed)       | 80 °C  |
| Operating temperature min. (dynamic)     | -5 °C  |
| Operating temperature max. (dynamic)     | 80 °C  |
| chemical resistance                      | Good, application-related testing                |
| Gasoline resistance                      | Good, application-related testing                |
| Oil resistance                           | DIN EN 60811-404                                 |
| Bending radius (fixed)                   | 10 x Outer diameter                              |
| Bending radius (dynamic)                 | 15 x Outer diameter                              |
| No. of bending cycles (C-track)          | 2 Mio. @ 25 °C                                   |
| Traversing distance (C-track)            | 5 m @ 25 °C   horizontal                         |
| Travel speed (C-track)                   | 3,3 m/s @ 25 °C                                  |