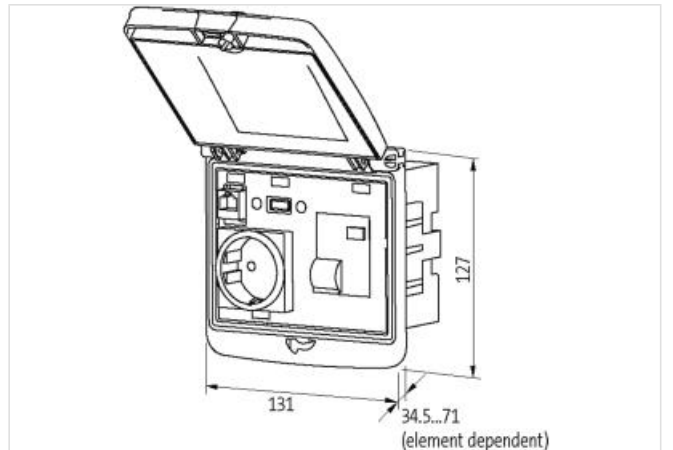
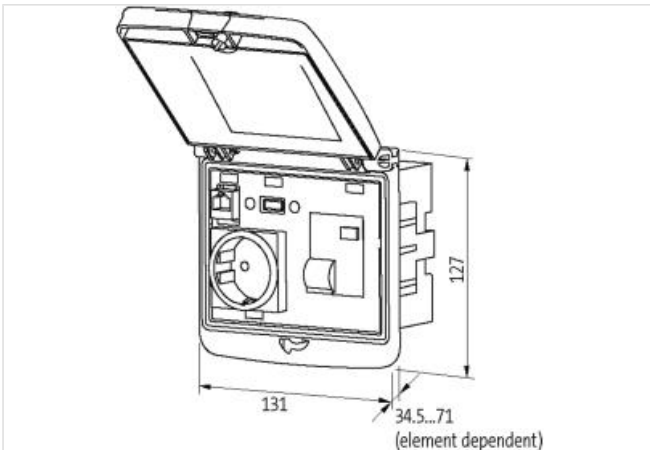


Modlink MSDD-set: Frame 4000-68523-0000001,
insert 4000-68000-0060000 + 4000-68000-1200000

Ürün Linki

örnekleme



Ürün Image farklı olabilir

**Ticari bilgiler**

| | |
|-------------------------|---------------|
| ECLASS-6.0 | 27144001 |
| ECLASS-7.0 | 27144001 |
| ECLASS-8.0 | 27144001 |
| ECLASS-9.0 | 27144001 |
| ETIM-5.0 | EC002625 |
| GTIN | 4048879570237 |
| Gümrük tarife no (gtip) | 85366990 |
| Paket miktarı | 1 |

Frame

| | |
|-----------------------------------------------|----------|
| Degree of protection (EN IEC 60529) | IP65 |
| Operating temperature min. | -30 °C |
| Operating temperature max. | 70 °C |
| Storage temperature min. | -30 °C |
| Storage temperature max. | 80 °C |
| Suitable for installation wall thickness min. | 1 mm |
| Suitable for installation wall thickness max. | 5 mm |
| Color cover | metallic |
| Color housing | black |
| Material lid | ABS |
| Material housing | PA |

Shielding plate

| | |
|------------------------|------------------|
| Connection information | Threaded hole M4 |
| Tightening torque | 0,9 Nm |

England

| | |
|----------------------------|--------|
| Operating voltage AC | 250 V |
| Operating current | 13 A |
| No. of poles | 2 + PE |
| Protection contact present | yes |

RJ45

| | |
|---------------------------------------|-------------------|
| Operating voltage AC max. (UL-listed) | 30 V |
| Operating voltage DC max. (UL-listed) | 42,4 V |
| Current operating max. (UL) | 175 mA |
| Family construction form | RJ45 |
| Family type Back side | RJ45 |
| Cable category min. | Cat5e |
| Looking techniques | Snap-in connector |