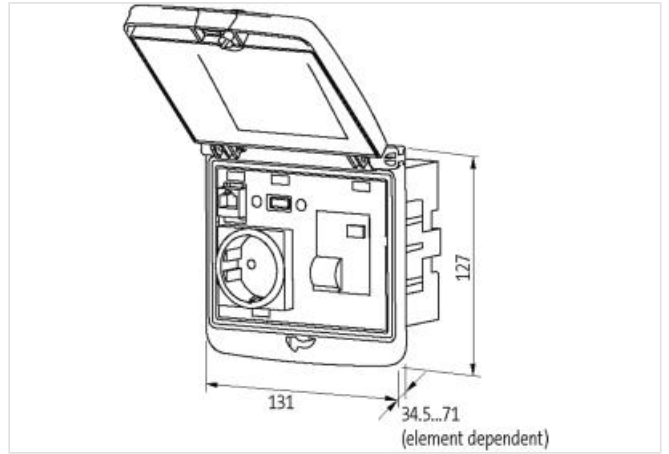
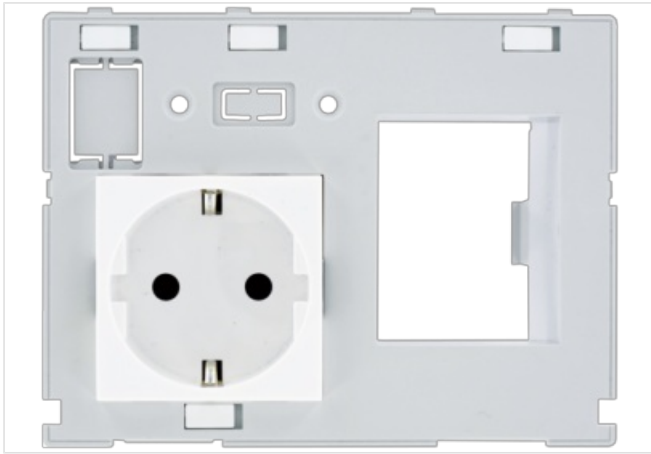


Modlink MSDD-set: Frame 4000-68522-0000001,

insert 4000-68000-4300000

Ürün Linki

örnekleme



Ürün Image farklı olabilir

**Ticari bilgiler**

ECLASS-6.0	27189217
ECLASS-6.1	27189217
ECLASS-7.0	27189217
ECLASS-8.0	27189217
ECLASS-9.0	27189217
ECLASS-10.1	27182806
ECLASS-11.1	27182806
ECLASS-12.0	27182806

ETIM-5.0	EC002625
GTIN	4048879613224
Gümrük tarife no (gtip)	85366990
Paket miktarı	1
Frame	
Degree of protection (EN IEC 60529)	IP65
Operating temperature min.	-30 °C
Operating temperature max.	70 °C
Storage temperature min.	-30 °C
Storage temperature max.	80 °C
Suitable for installation wall thickness min.	1 mm
Suitable for installation wall thickness max.	5 mm
Color cover	transparent
Color housing	black
Material lid	PC
Material housing	PA
Shielding plate	
Connection information	Threaded hole M4
Tightening torque	0,9 Nm
Germany (VDE)	
Connection cross section max.	2,5 mm ²
AWG number max.	14
Operating voltage AC	250 V
Operating current	16 A
Connection	Spring clamp terminals FK
No. of poles	2 + PE
Connections per pole	2
Protection contact present	yes