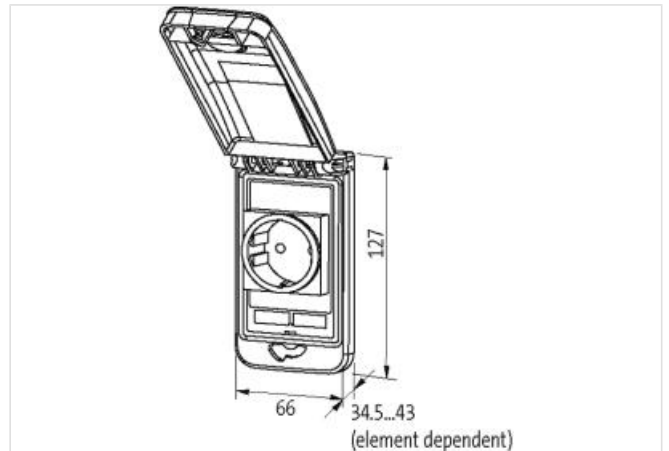


Modlink MSDD set contains:Frame 4000-68514-0000001

Insert 4000-68000-4060000

Link to Product

Illustration



Product may differ from Image



Commercial data

ECLASS-6.0	27279218
ECLASS-7.0	27279218
ECLASS-8.0	27279218
ECLASS-9.0	27060311
ETIM-5.0	EC001855
customs tariff number	85366990
GTIN	4048879691840
Packaging unit	1

Frame

The information in this Product-PDF has been compiled with the utmost care.
Liability for the correctness completeness and topicality of the information is restricted to gross negligence. Version: 2024-06-26

Degree of protection (EN IEC 60529)	IP65
Operating temperature min.	-30 °C
Operating temperature max.	70 °C
Storage temperature min.	-30 °C
Storage temperature max.	80 °C
Suitable for installation wall thickness min.	1 mm
Suitable for installation wall thickness max.	5 mm
Color cover	gray
Color housing	black
Material lid	PBT
Material housing	PA

USA

Connection geometry	4.8 x 0.5 mm
Operating voltage AC	125 V
Operating current	15 A
Connection	Plug-solder connection
No. of poles	2 + PE
Protection contact present	yes

RJ45

Operating voltage AC max. (UL-listed)	30 V
Operating voltage DC max. (UL-listed)	42,4 V
Current operating max. (UL)	175 mA
Family construction form	RJ45
Family type Back side	RJ45
Cable category min.	Cat5e
Looking techniques	Snap-in connector