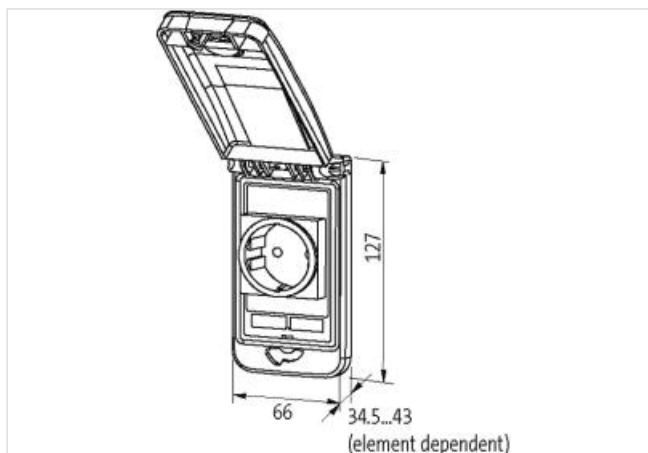


Modlink MSDD-set: Frame 4000-68512-0000003,

insert 4000-68000-0140000

Link do produto

Ilustração



Produto pode diferir da imagem



Dados comerciais

ECLASS-6.0	27189217
ECLASS-6.1	27189217
ECLASS-7.0	27189217
ECLASS-8.0	27189217
ECLASS-9.0	27189217
ECLASS-10.1	27182806
ECLASS-11.1	27182806
ECLASS-12.0	27182806

ETIM-5.0	EC002625
Classificação fiscal	85366990
GTIN	4048879406321
Quantidade por embalagem	1

Frame

Degree of protection (EN IEC 60529)	IP65
Operating temperature min.	-30 °C
Operating temperature max.	70 °C
Storage temperature min.	-30 °C
Storage temperature max.	80 °C
Suitable for installation wall thickness min.	1 mm
Suitable for installation wall thickness max.	5 mm
Color cover	transparent
Color housing	black
Material lid	PC
Material housing	PA

Germany (VDE)

Connection cross section max.	2,5 mm ²
AWG number max.	14
Operating voltage AC	250 V
Operating current min.	10 A
Operating current max.	16 A
Connection	Spring clamp terminals FK
No. of poles	2 + PE
Connections per pole	2
Protection contact present	yes